



EI 54 9-11VA



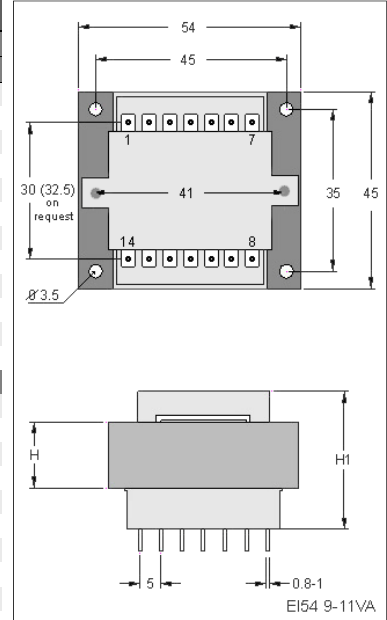
EI 60 13-20VA

Dimensioni fisiche in mm Physical dimension in mm

9VA EI54/18 H1=39mm-W. 325gr		
Pins	1-7	9-13
Code	Pri (V)	Sec(V)
42129700	230	6
42129710	230	9
42129720	230	12
42129730	230	15
42129740	230	18
42129750	230	24
On request	115	6
On request	115	9
On request	115	12
On request	115	15
On request	115	18
On request	115	24
Pins	1-7	8-9 13-14
42129800	230	2x6
42129810	230	2x9
42129820	230	2x12
42129830	230	2x15
42129840	230	2x18
42129850	230	2x21
On request	115	2x6
On request	115	
On request	115	
On request	115	2x21

10VA EI54/20 H1=41mm-W. 370gr		
Pins	1-7	9-13
Code	Pri (V)	Sec(V)
42130000	230	6
42130010	230	9
42130020	230	12
42130030	230	15
42130040	230	18
42130050	230	24
On request	115	6
On request	115	9
On request	115	12
On request	115	15
On request	115	18
On request	115	24
Pins	1-7	8-9 13-14
42130500	230	2x6
42130510	230	2x9
42130520	230	2x12
42130530	230	2x15
42130540	230	2x18
42130550	230	2x21
On request	115	2x6
On request	115	
On request	115	
On request	115	2x21

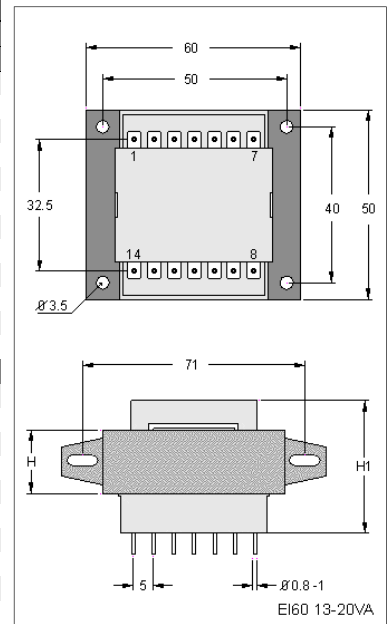
11VA EI54/23 H1=44mm-W. 420gr		
Pins	1-7	9-13
Code	Pri (V)	Sec(V)
42131000	230	6
42131010	230	9
42131020	230	12
42131030	230	15
42131040	230	18
42131050	230	24
On request	115	6
On request	115	9
On request	115	12
On request	115	15
On request	115	18
On request	115	24
Pins	1-7	8-9 13-14
42131500	230	2x6
42131510	230	2x9
42131520	230	2x12
42131530	230	2x15
42131540	230	2x18
42131550	230	2x21
On request	115	2x6
On request	115	
On request	115	
On request	115	2x21



13VA EI60/20 H1=42mm-W. 480gr		
Pins	1-7	9-13
Code	Pri (V)	Sec(V)
42132000	230	6
42132010	230	9
42132020	230	12
42132030	230	15
42132040	230	18
42132050	230	24
On request	115	6
On request	115	9
On request	115	12
On request	115	15
On request	115	18
On request	115	24
Pins	1-7	8-9 13-14
42132500	230	2x6
42133000	230	2x9
42133500	230	2x12
42134000	230	2x15
42134500	230	2x18
42135000	230	2x21
On request	115	2x6
On request	115	
On request	115	
On request	115	2x21

16VA EI60/25 H1=47mm-W. 560gr		
Pins	1-7	9-13
Code	Pri (V)	Sec(V)
42136000	230	6
42136100	230	9
42136200	230	12
42136300	230	15
42136400	230	18
42136500	230	24
On request	115	6
On request	115	9
On request	115	12
On request	115	15
On request	115	18
On request	115	24
Pins	1-7	8-9 13-14
42137500	230	2x6
42138000	230	2x9
42138500	230	2x12
42139000	230	2x15
42139500	230	2x18
42139600	230	2x21
On request	115	2x6
On request	115	
On request	115	
On request	115	2x21

20VA EI60/30 H1=52mm-W. 710gr		
Pins	1-7	9-13
Code	Pri (V)	Sec(V)
42140500	230	6
42140600	230	9
42140700	230	12
42140800	230	15
42140900	230	18
42141000	230	24
On request	115	6
On request	115	9
On request	115	12
On request	115	15
On request	115	18
On request	115	24
Pins	1-7	8-9 13-14
42141500	230	2x6
42142000	230	2x9
42142500	230	2x12
42143000	230	2x15
42143500	230	2x18
42144000	230	2x21
On request	115	2x6
On request	115	
On request	115	
On request	115	2x21



Dati tecnici	Technical data
Conformità alle norme CEI EN 61558 - RoHS	CEI EN 61558 approved - RoHS
Certificazione internazionale ENEC	ENEC international certification
Non protetto contro il corto circuito	Not protected against the shortcircuit
Tensione di isolamento 3750 VAC	Insulation voltage 3750 VAC
Frequenza nominale 50/60 Hz	Nominal frequency 50/60 Hz
Temperatura ambiente 40 °C	Ambient temperature 40 °C
Sistema di isolamento classe B	Class B insulation system
Grado di protezione IP00	Degree of protection IP00
Rocchetto a doppia camera	Two chambers coilformer
Avvolgimenti in rame smaltato classe H	Class H enamelled copper wire coils
Vernice isolante	Finishing varnish
Test elettrici sul 100% della produzione	100% tested production

Iso 9001 Certified

