

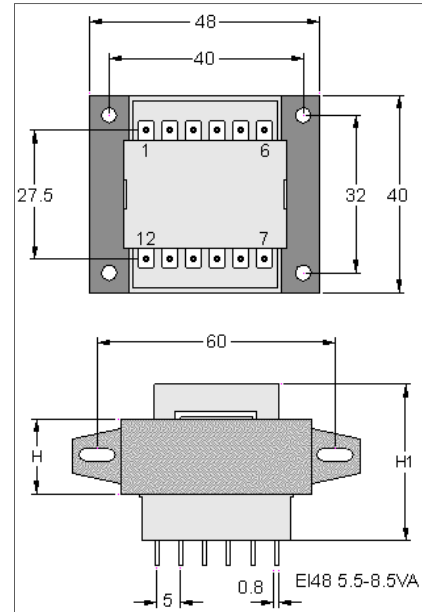
2.5VA EI40/15 H1=31,5mm-Weight 165gr

Pins	1-5	7-9
Code	Pri (V)	Sec(V)
42114501	230	6
42115001	230	9
42115501	230	12
42116001	230	15
42116501	230	18
42117001	230	24
On request	115	6
On request	115	9
On request	115	12
On request	115	15
On request	115	18
On request	115	24
Pins	1-5	6-7 9-10
42117501	230	2x6
42118001	230	2x9
42118501	230	2x12
42119001	230	2x15
42119501	230	2x18
42119601	230	2x21
On request	115	2x6
On request	115	
On request	115	
On request	115	2x21

3.2VA EI40/20 H1=36,5mm-Weight 220gr

Pins	1-5	7-9
Code	Pri (V)	Sec(V)
42120001	230	6
42120101	230	9
42120201	230	12
42120301	230	15
42120401	230	18
42120501	230	24
On request	115	6
On request	115	9
On request	115	12
On request	115	15
On request	115	18
On request	115	24
Pins	1-5	6-7 9-10
42121001	230	2x6
42121101	230	2x9
42121201	230	2x12
42121301	230	2x15
42121401	230	2x18
42121501	230	2x21
On request	115	2x6
On request	115	
On request	115	
On request	115	2x21

Dimensioni fisiche in mm Physical dimension in mm



5.5VA EI 48/16 H1=34mm-Weight 250gr

Pins	1-6	8-11
Code	Pri (V)	Sec(V)
42121901	230	6
42122001	230	9
42122101	230	12
42122201	230	15
42122301	230	18
42122401	230	24
On request	115	6
On request	115	9
On request	115	12
On request	115	15
On request	115	18
On request	115	24
Pins	1-6	7-8 11-12
42122501	230	2x6
42123001	230	2x9
42123501	230	2x12
42124001	230	2x15
42124501	230	2x18
42125001	230	2x21
On request	115	2x6
On request	115	
On request	115	
On request	115	2x21

7VA EI 48/20 H1=38mm-Weight 315gr

Pins	1-6	8-11
Code	Pri (V)	Sec(V)
42125101	230	6
42125201	230	9
42125301	230	12
42125401	230	15
42125501	230	18
42125601	230	24
On request	115	6
On request	115	9
On request	115	12
On request	115	15
On request	115	18
On request	115	24
Pins	1-6	7-8 11-12
42125701	230	2x6
42125801	230	2x9
42125901	230	2x12
42126001	230	2x15
42126101	230	2x18
42126201	230	2x21
On request	115	2x6
On request	115	
On request	115	
On request	115	2x21

8.5VA EI 48/25 H1=43mm-Weight 370gr

Pins	1-6	8-11
Code	Pri (V)	Sec(V)
42126901	230	6
42127001	230	9
42127101	230	12
42127201	230	15
42127301	230	18
42127401	230	24
On request	115	6
On request	115	9
On request	115	12
On request	115	15
On request	115	18
On request	115	24
Pins	1-6	7-8 11-12
42127501	230	2x6
42128001	230	2x9
42128501	230	2x12
42129001	230	2x15
42129501	230	2x18
42129601	230	2x21
On request	115	2x6
On request	115	
On request	115	
On request	115	2x21

Dati tecnici	Technical data
Conformità norme EN 61558-UL 5085	EN 61558-UL5085 approved
Marchio ENEC; classe B	ENEC mark; class B
Marchio cURus (UL+CSA); classe A	cURus mark; class A
Tensione di isolamento 3750 VAC	Insulation voltage 3750 VAC
Frequenza nominale 50/60 Hz	Nominal frequency 50/60 Hz
Temperatura ambiente 40 °C	Ambient temperature 40 °C
Conforme alla direttiva RoHS	RoHS conform
Grado di protezione IP00	Degree of protection IP00
Rocchetto a doppia camera	Two chambers coilformer
Avvolgimenti in rame smaltato classe H	Class H enamelled copper wire coils
Vernice isolante	Finishing varnish
Test elettrici sul 100% della produzione	100% tested production

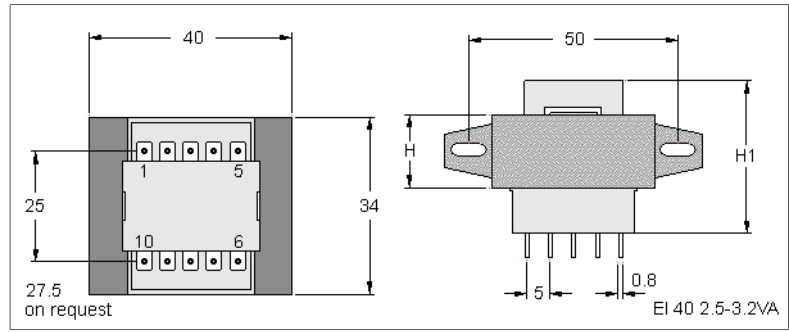


Su richiesta primario fino a 600V secondario fino a 600V

On request primary up to 600V secondary up to 600V

Iso 9001 Certified





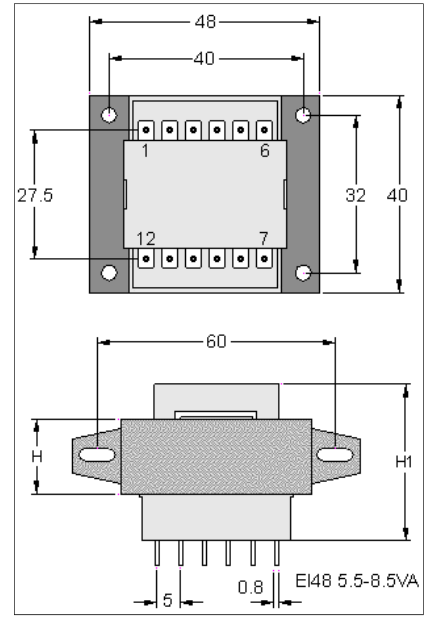
2.5VA EI40/15 H1=31,5mm-Weight 165gr

Pins	1-5	7-9
Code	Pri (V)	Sec(V)
42114500	230	6
42115000	230	9
42115500	230	12
42116000	230	15
42116500	230	18
42117000	230	24
On request	115	6
On request	115	9
On request	115	12
On request	115	15
On request	115	18
On request	115	24
Pins	1-5	6-7 9-10
42117500	230	2x6
42118000	230	2x9
42118500	230	2x12
42119000	230	2x15
42119500	230	2x18
42119600	230	2x21
On request	115	2x6
On request	115	
On request	115	
On request	115	2x21

3.2VA EI40/20 H1=36.5mm-Weight 220gr

Pins	1-5	7-9
Code	Pri (V)	Sec(V)
42120000	230	6
42120100	230	9
42120200	230	12
42120300	230	15
42120400	230	18
42120500	230	24
On request	115	6
On request	115	9
On request	115	12
On request	115	15
On request	115	18
On request	115	24
Pins	1-5	6-7 9-10
42121000	230	2x6
42121100	230	2x9
42121200	230	2x12
42121300	230	2x15
42121400	230	2x18
42121500	230	2x21
On request	115	2x6
On request	115	
On request	115	
On request	115	2x21

Dimensioni fisiche in mm Physical dimension in mm



5.5VA EI 48/16 H1=34mm-Weight 250gr

Pins	1-6	8-11
Code	Pri (V)	Sec(V)
42121900	230	6
42122000	230	9
42122100	230	12
42122200	230	15
42122300	230	18
42122400	230	24
On request	115	6
On request	115	9
On request	115	12
On request	115	15
On request	115	18
On request	115	24
Pins	1-6	7-8 11-12
42122500	230	2x6
42123000	230	2x9
42123500	230	2x12
42124000	230	2x15
42124500	230	2x18
42125000	230	2x21
On request	115	2x6
On request	115	
On request	115	
On request	115	2x21

7VA EI 48/20 H1=38mm-Weight 315gr

Pins	1-6	8-11
Code	Pri (V)	Sec(V)
42125100	230	6
42125200	230	9
42125300	230	12
42125400	230	15
42125500	230	18
42125600	230	24
On request	115	6
On request	115	9
On request	115	12
On request	115	15
On request	115	18
On request	115	24
Pins	1-6	7-8 11-12
42125700	230	2x6
42125800	230	2x9
42125900	230	2x12
42126000	230	2x15
42126100	230	2x18
42126200	230	2x21
On request	115	2x6
On request	115	
On request	115	
On request	115	2x21

8.5VA EI 48/25 H1=43mm-Weight 370gr

Pins	1-6	8-11
Code	Pri (V)	Sec(V)
42126900	230	6
42127000	230	9
42127100	230	12
42127200	230	15
42127300	230	18
42127400	230	24
On request	115	6
On request	115	9
On request	115	12
On request	115	15
On request	115	18
On request	115	24
Pins	1-6	7-8 11-12
42127500	230	2x6
42128000	230	2x9
42128500	230	2x12
42129000	230	2x15
42129500	230	2x18
42129600	230	2x21
On request	115	2x6
On request	115	
On request	115	
On request	115	2x21

Dati tecnici	Technical data
Conformità alle norme CEI EN 61558 - RoHS	CEI EN 61558 approved - RoHS
Certificazione internazionale ENEC	ENEC international certification
Non protetto contro il corto circuito	Not protected against the shortcircuit
Tensione di isolamento 3750 VAC	Insulation voltage 3750 VAC
Frequenza nominale 50/60 Hz	Nominal frequency 50/60 Hz
Temperatura ambiente 40 °C	Ambient temperature 40 °C
Sistema di isolamento classe B	Class B insulation system
Grado di protezione IP00	Degree of protection IP00
Rocchetto a doppia camera	Two chambers coilformer
Avvolgimenti in rame smaltato classe H	Class H enamelled copper wire coils
Vernice isolante	Finishing varnish
Test elettrici sul 100% della produzione	100% tested production

Iso 9001 Certified

