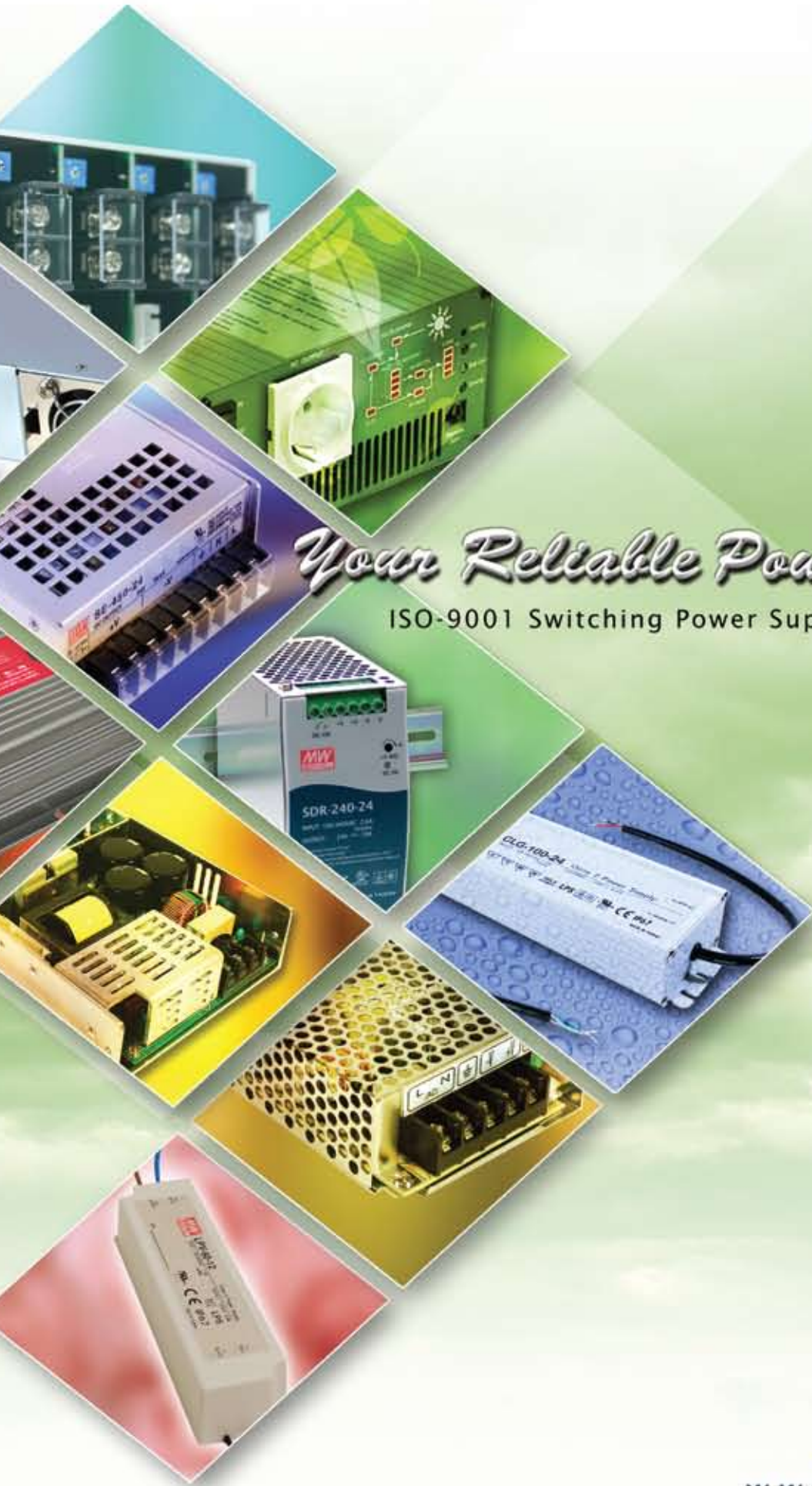




Your Reliable Power Partner

ISO-9001 Switching Power Supply Manufacturer



April 2009

www.meanwell.com

Taiwan

明緯企業股份有限公司
MEAN WELL ENTERPRISES CO., LTD.
台北縣五股工業區五權三路28號
No.28, Wu-Chuan 3rd Road,
Wu Ku Ind. Park, Taipei Hsien, Taiwan, 248
Tel : +886-2-2299-6100(rep.)
Fax: +886-2-2299-6200(rep.)
+886-2-2298-0818(sales)
E-mail: info@meanwell.com
http://www.meanwell.com

U.S.A.

MEAN WELL USA, INC.
44030 Fremont Blvd., Fremont,
CA 94538, U.S.A.
Tel : +1-510-683-8886
Fax: +1-510-683-8899
E-mail: info@meanwellusa.com
http://www.meanwellusa.com

Europe

MEAN WELL EUROPE B.V.
Spinnerij 73-75, 1185 ZS Amstelveen,
the Netherlands
Tel : +31-20-345-3795
Fax: +31-20-640-3547
E-mail: info@meanwell.eu
http://www.meanwell.eu

China

廣州銘緯電子產品有限公司
GUANGZHOU MEAN WELL ELECTRONICS CO., LTD.
廣州市天河區東圃鎮黃村大道粵安工業園A棟2樓
2nd Floor, No.A Building, Yuean Ind. Park,
Dongpu Town, Tianhe District,
Guangzhou, China
Tel : +86-20-2887-1200
Fax: +86-20-8201-0507
E-mail: info@meanwell.com.cn
http://www.meanwell.com.cn

China

蘇州明緯科技有限公司
SUZHOU MEAN WELL TECHNOLOGY CO., LTD.
江蘇省蘇州市相城區黃埭鎮潘陽工業園東橋健民路77號
No.77, Jian-Ming Rd. Dong-Qiao,
Pan-Yang Ind. Park, Huang-Dai Town,
Xiang-Cheng District, Suzhou, Jiang-Su, China
Tel : +86-512-6508-8600
Fax: +86-512-6508-8700
E-mail: info@meanwell.cc



Please Contact Your Local Distributor :

Feature Products for 2009

To comply with the global trend of energy saving, MEAN WELL invests resources to develop new generation of switching power supplies imbued with green concept. From LED power supply, green adaptor, solar inverter, to high efficiency AC/DC power supplies, we are looking for higher in efficiency, lower in no load power consumption, smaller in size, and in compliance with the latest regulations all over the world.



► LED Power Supply

CLG, PLN, ELN, LP, ULP and PLP families form a complete group of LED / outdoor power solution. Ranging from 18W to 240W, with or without PFC, and comply with specific norms (UL1310, EN61347) for LED related applications.



► Slim DIN Rail Power

The new slim SDR series significantly reduce the size by 40%+ and possess up to 94% of extreme high efficiency. Relay contact style alarm signal, GL and SEMI F47 compliance are the specialties



► Green Adaptor

Ranging from 12~220W and with low no load power consumption, the green adaptor series comply with EISA 2007, EuP and Energy Star level IV or V.



► Solar Inverter

Consolidating with solar panels, TN series can construct an independent solar power system to save the precious energy.



► High Wattage Power Supply

High power has been asked frequently for moving sign, communication, and heavy machinery applications. MEAN WELL plans to offer 3KW single unit and up to 6KW by parallel connection.



MEAN WELL offers you an opportunity to get the free custom-standard design. Among our developing products, you are welcome to join the design procedure and let the new product fulfill your special requirement. No NRE charge, no safety costs, just contact us in time!!

■ Enclosed Switching Power Supply

G3 Series	RS-15 / 25 / 35 / 50 / 75 / 100 / 150 RD-35 / 50 / 65 / 85 / 125 RID-50 / 65 / 85 / 125, RT-50 / 65 / 85 / 125 RQ-50 / 65 / 85 / 125	2~3
NE Series	NES-15 / 25 / 35 / 50 / 75 / 100 / 150 NED-35 / 50 / 75 / 100, NET-35 / 50 / 75	4~5 <i>RoHS List</i>
G2 Series	S-25, S-40, S-60, S-100F, S-150 S-210, S-250, S-320 SE-450, SE-600, SE-1000, SE-1500 D / ID / T / IT-60, Q / IQ-60 D / T / Q-120, Q-250, T-40	6 7 8 9 10
G1 Series	S-15, S-35, S-50, S-100, S-145, S-201, S-350 D / ID-30, T-30, D-50, ID-50, T-50	11 12
PFC-G3 Series	SP-75, SP-100, SP-150, SP-200, SP-240 SP-320, SP-480, SP-500, SP-750 USP-150, USP-225, USP-350, USP-500 TP-100, QP-100, TP-150, QP-150 QP-200, QP-375 QP-320, TP-75	13 14 15 16 17 18
PFC-G5 Series	HRP-150, HRP-300, HRP-600 HRPG-150, HRPG-300, HRPG-600	19
DIN Series	MDR-10 / 20 / 40 / 60 / 100 DR-15, DR-30, DR-60, DR-100 DR-45, DR-75, DR-120, DRP-240, DRP-480, DRP-480S DRH-120, DRT-240, DRT-480, DRT-960 SDR-240, SDR-480 DR-RDN20, DR-UPS40	20 21 22 23 24 25
LP Series	LPL-18, LPH-18, LPV-20, LPV-35, LPV-60 LPC-20, LPC-35, LPC-60	26 27
ELN Series	ELN-30, ELN-60	28
PLN Series	PLN-20, PLN-30, PLN-60, PLN-100	29
PLC Series	PLC-30, PLC-60, PLC-100	30
CLG Series	CLG-60, CLG-100, CLG-150, CLG-240	31
ULP Series	ULP-150	32
PLP Series	PLP-20 PLP-30, PLP-60	32 33
Modular Series	MP450, MP650, MP1K0 MS-75 / 150 / 300, MD-100	34~35
Parallel Series	SCN-600 / 800 / 1K2 / 1K5 / 2K0 SCP-600 / 800 / 1K2 / 2K4 PSP-500 / 600 / 1000, RSP-1000 PSP-1500, RSP-1500, RSP-2400, RSP-3000	36 37 38 39
19" Rack Power	RCP-MU, RCP-1000 / 1U RCP-2U	40 41
Security Series	ADS-55 / 155, AD-55 / 155, ADD-55 / 155 PSC-60, PSC-100, PSC-40, AD-300	42 43
■ Open Frame Switching Power Supply		
Medical Type	PM-05, PM-10, PM-15, PM-20 NFM-05, NFM-10, NFM-15, NFM-20 MPS-30, MPS / D / T-45 RPS / D / T-60, MPS / D / T-65 RPS / D / T-75, RPS / D / T-160 MPS / D / T / Q-120, MPS / D / T / Q-200	44 45 46 47 48 49
General Type	PS-05, PS-15, PS-25, PD-25 PS-35, PS-45, PD-45, PT-45 PT-4503, PT-6503, PS / D / T-65 RPD / T-65, PD-110, PQ-100	50 51 52 53

General Type	PPQ-100, PPS / PPT-125 ASP-150, PPS-200, PID-250 LPS-50, LPS-75, LPS / LPP-100, LPP-150	54 55 56
---------------------	---	----------------

■ External Switching Power Supply

Charger	PA-120, PB-120, PS-120 PB-300, PB-360, PB-600, PB-1000 ESC / P-120, ESC / P-240 GC30B / U / E, GC200	57 58 59
Adaptor	GS06U, GS06E, GS12U, GS12E GS15A, GS15B, GS15U, GS15E GS18A / B / U / E, GS25A / B / U / E GE12, GE18, GE24 ES18A / B / C, ES25A / B / C ES18U, ES18E, ES25U, ES25E P25A / B, P30A / B, P40A / B MES30A / B / C, MES50A P50A, P66A, U65S, FM90C GS40, GS60, GS90 AS-120P, GS220	60 61 62 63 64 65 66 67 68 69 70

■ Specific Purpose Power Supply

Video Game	MWP-602, MWP-602A MWP-606, MWP-606A, MWP-608	<i>Plug List</i> 70
ATX Power	ATX-100, IPC-200, IPC-250, IPC-300 YP-350A, YP-400A, YP-450A, YP-350J	71

■ DC/DC Converter

Module Type	SRS, SUS01 SBT01, SFT01, DET01 SPR01, SPU02 SPA02, SPB03, SCW03, DCW03 SCW05, DCW05, SLW05, DLW05 SCW08, DCW08, SKE10, DKE10 SCW12, DCW12, SKA15, DKA15 SKE15, DKE15, DKA30, TKA30 SDM30	72 73 74 75 76 77 78 79 80
On Board Type	NSD05 NSD10-S, NSD10-D, NSD15-S, NSD15-D	80 81
PCB Type	NID30, NID60, PSD-05, PSD-15 PSD-45	82 83
Enclosed Type	SD-15, SD-25, SD-50 SD-100, SD-150, SD-200, SD-350 SD-500, SD-1000	83 84 85
	HRPG-75 / 100 / 200 / 450	

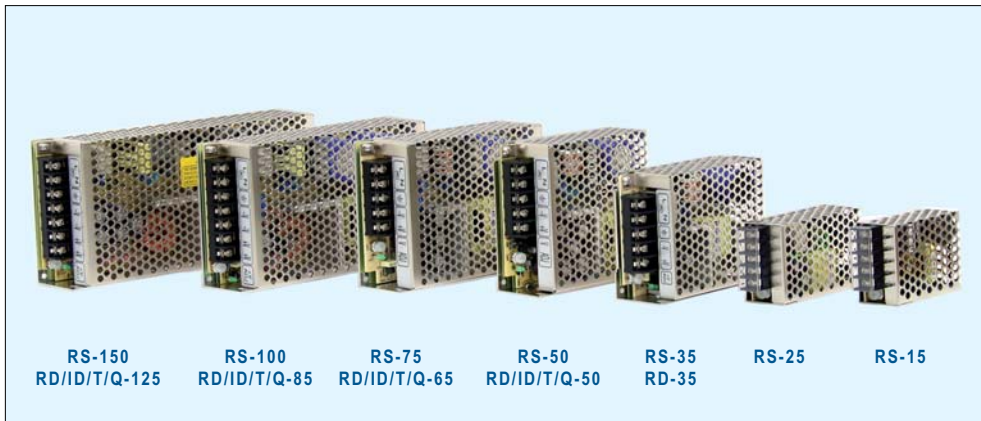
■ DC/AC Power Inverter

Modified Sine Wave	A301-100 / 150 / 300 / 600 / 1K0 / 1K7 / 2K5 A302-100 / 150 / 300 / 600 / 1K0 / 1K7 / 2K5	86
True Sine Wave	TS-200, TS-400, TS-700 TS-1000, TS-1500, TS-3000 TN-1500, TN-3000	87 88 89

■ Accessories / Case Drawing

Case Drawing	Case 901 / 902 / 903 / 905 / 906 / 907 Case 910/912(B)/915A/916(A/B)/919/920A Case 924 / 925A / 926 / 927 / 928 / 929 Case 931 / 932 / 935 / 939 / 940 / 941 Case 943 / 946A / 952B / 963 / 971A / 986 Case 918A / 923 / 921 / 922 / 930 / 934	90 91 92 93 94 95
Accessories	DRL-01 / 02 / 03, DRP-01 / 02 / 03 MHS012 / 013 / 014 / 025 / 026	96

	: New Announced		: Available by Request
	: New Product within 1 Year		: Supplementary Information
	: Under Development		



Features

- All using 105°C long life electrolytic capacitors
- Protections: Short circuit / OLP / OVP
- Meet EMS EN50082-2/EN61000-6-2 heavy industry level (35~150W)
- Withstand 300VAC surge input for 5 sec.
- High operating temperature up to 70°C
- Withstand 5G vibration test
- Miniature size, high power density
- High efficiency, long life and high reliability
- 100% full load burn-in test
- Suitable for critical applications
- 3 years warranty

General Specification (Please refer to www.meanwell.com for detail spec.)



Model No.	RS-15	RS-25	RS-35 RD-35	RS-50 RD / ID / T / Q-50	RS-75 RD / ID / T / Q-65	RS-100 RD / ID / T / Q-85	RS-150 RD / ID / T / Q-125
AC input voltage range	88~264VAC universal input						115 / 230VAC by switch
AC inrush current (max.)	Cold start, 65A at 230VAC	Cold start, 40A at 230VAC					50A at 230VAC
DC adjustment range	±10% by potential meter for single output; CH1 -5%~+10% by potential meter for multiple output						
Overload protection	>105%, hiccup mode	110%~180%	110%~150% hiccup mode, auto-recovery (150% ~190% for RID-125-1205/2405)				
Over voltage protection	115%~135%, Shut off	115%~135% rated output voltage, hiccup mode, auto-recovery					
Withstand voltage	I/P - O/P: 3kVAC, I/P - FG: 1.5kVAC, O/P - FG: 0.5kVAC, 1 minute						
Working temperature	-20°C~+70°C (refer to the derating curve for different models)						
Vibration	10~500Hz, 5G 10min/1 cycle, period for 60 min each along X, Y, Z axes						
Safety standards	UL60950-1, TUV EN60950-1 approved						
EMC standards	EN55022 class B, EN61000-3-2,3, EN61000-4-2,3,4,5,6,8,11, ENV50204, EN61000-6-2 (EN50082-2) (35~150W)						
Connection	Terminal block for input and output						
Dimension (L*W*H)(mm)	62.5x 51x 28	78x 51x 28	99x 82x 35	99x 97x 36	129x 98x 38	159x 97x 38	199x 98x 38
Case No.	971A	931	932	905	903	901	902
Packing	108pcs /15.0kg	60pcs /13.0kg	45pcs /14.0kg	45pcs /19.5kg	30pcs /14.2kg	24pcs /15.4kg	20pcs /15.4kg

15W — Single Output

Stock No.	Model No.	Output	Tol.	R&N	Effi.
10621	RS-15-3.3	3.3V, 0~3.0A	±3%	80mV	72%
10622	RS-15-5	5V, 0~3.0A	±2%	80mV	77%
10623	RS-15-12	12V, 0~1.3A	±1%	120mV	81%
10624	RS-15-15	15V, 0~1.0A	±1%	120mV	81%
10625	RS-15-24	24V, 0~0.625A	±1%	200mV	82%
10626	RS-15-48	48V, 0~0.313A	±1%	200mV	82%

10754	RS-50-15	15V, 0~3.4A	±1%	120mV	83%
10755	RS-50-24	24V, 0~2.2A	±1%	120mV	84%
10756	RS-50-48	48V, 0~1.1A	±1%	200mV	86%

75W — Single Output

Stock No.	Model No.	Output	Tol.	R&N	Effi.
10761	RS-75-3.3	3.3V, 0~15A	±3%	80mV	71%
10762	RS-75-5	5V, 0~12A	±2%	80mV	76%
10763	RS-75-12	12V, 0~6.0A	±1%	120mV	81%
10764	RS-75-15	15V, 0~5.0A	±1%	120mV	82%
10765	RS-75-24	24V, 0~3.2A	±1%	120mV	85%
10766	RS-75-48	48V, 0~1.6A	±1%	200mV	86%

25W — Single Output

Stock No.	Model No.	Output	Tol.	R&N	Effi.
10731	RS-25-3.3	3.3V, 0~6.0A	±3%	80mV	72%
10732	RS-25-5	5V, 0~5.0A	±2%	80mV	77%
10733	RS-25-12	12V, 0~2.1A	±1%	120mV	79%
10734	RS-25-15	15V, 0~1.7A	±1%	120mV	82%
10735	RS-25-24	24V, 0~1.1A	±1%	120mV	84%
10736	RS-25-48	48V, 0~0.57A	±1%	200mV	85%

100W — Single Output

Stock No.	Model No.	Output	Tol.	R&N	Effi.
10771	RS-100-3.3	3.3V, 0~20A	±3%	80mV	74%
10772	RS-100-5	5V, 0~16A	±2%	80mV	77%
10773	RS-100-12	12V, 0~8.5A	±1%	120mV	81%
10774	RS-100-15	15V, 0~7.0A	±1%	120mV	82%
10775	RS-100-24	24V, 0~4.5A	±1%	120mV	84%
10776	RS-100-48	48V, 0~2.3A	±1%	200mV	84%

35W — Single Output

Stock No.	Model No.	Output	Tol.	R&N	Effi.
10741	RS-35-3.3	3.3V, 0~7.0A	±3%	80mV	73%
10742	RS-35-5	5V, 0~7.0A	±2%	80mV	77%
10743	RS-35-12	12V, 0~3.0A	±1%	120mV	81%
10744	RS-35-15	15V, 0~2.4A	±1%	120mV	83%
10745	RS-35-24	24V, 0~1.5A	±1%	120mV	84%
10746	RS-35-48	48V, 0~0.8A	±1%	200mV	84%

150W — Single Output

Stock No.	Model No.	Output	Tol.	R&N	Effi.
10781	RS-150-3.3	3.3V, 0~30A	±3%	80mV	74%
10782	RS-150-5	5V, 0~26A	±2%	80mV	78%
10783	RS-150-12	12V, 0~12.5A	±1%	120mV	83%
10784	RS-150-15	15V, 0~10A	±1%	120mV	84%
10785	RS-150-24	24V, 0~6.5A	±1%	120mV	86%
10786	RS-150-48	48V, 0~3.3A	±1%	200mV	87%

50W — Single Output

Stock No.	Model No.	Output	Tol.	R&N	Effi.
10751	RS-50-3.3	3.3V, 0~10A	±3%	80mV	72%
10752	RS-50-5	5V, 0~10A	±2%	80mV	78%
10753	RS-50-12	12V, 0~4.2A	±1%	120mV	81%

35W — Dual Output

Stock No.	Model No.	Output	Tol.	R&N	Effi.	Max.
10791	RD-35A	5V, 0.3~4.0A	±2%	80mV	72%	32W
		12V, 0.2~1.0A	±6%	120mV	77%	
10792	RD-35B	5V, 0.3~4.0A	±2%	80mV	79%	35W
		24V, 0.2~1.3A	±5%	120mV	82%	
10793	RD-3513	13.5V, 0.3~2.0A	±4%	120mV	84%	35W
		-13.5V, 0.2~0.57A	±4%	120mV	85%	

50W — Dual Output (Output isolated for RID-50A/B)

Stock No.	Model No.	Output	Tol.	R&N	Effi.	Max.
10801	RD-50A	5V, 0.3~6.0A	±2%	80mV	79%	54W
		12V, 0.3~3.0A	±7%	120mV		
10802	RD-50B	5V, 0.3~6.0A	±2%	80mV	80%	54W
		24V, 0.2~2.0A	+8%, -4%	120mV		

65W — Dual Output (Output isolated for RID-65A/B)

Stock No.	Model No.	Output	Tol.	R&N	Effi.	Max.
10811	RD-65A	5V, 0.3~8.0A	±2%	80mV	79%	66W
		12V, 0.2~4.0A	±6%	120mV		
10812	RD-65B	5V, 0.3~8.0A	±2%	80mV	78%	68W
		24V, 0.2~3.0A	+4%, -6%	150mV		

85W — Dual Output (Output isolated for RID-85A/B)

Stock No.	Model No.	Output	Tol.	R&N	Effi.	Max.
10821	RD-85A	5V, 2.0~10A	±2%	80mV	78%	88W
		12V, 0.3~5.0A	±5%	120mV		
10822	RD-85B	5V, 2.0~10A	±2%	80mV	80%	88W
		24V, 0.3~2.5A	±5%	150mV		

125W — Dual Output

Stock No.	Model No.	Output	Tol.	R&N	Effi.	Max.
10831	RD-125A	5V, 2.0~15A	±5%	80mV	82%	131W
		12V, 0.5~10A	±7%	120mV		
10832	RD-125B	5V, 2.0~10A	±5%	80mV	85%	133W
		24V, 0.4~5.0A	±7%	150mV		

125W — Dual Output (Output isolated for RID-125)

Stock No.	Model No.	Output	Tol.	R&N	Effi.	Max.
10833	RD-125-1224	12V, 1.0~7.0A	±2%	120mV	85%	133W
		24V, 0.4~5.0A	+8%, -5%	200mV		
*10834	RD-125-2412	24V, 0.5~5.0A	±2%	200mV	85%	133W
		12V, 1.0~7.0A	±10%	120mV		
10835	RD-125-1248	12V, 1.0~7.0A	±2%	120mV	85%	138W
		48V, 0.2~2.5A	+8%, -5%	240mV		
*10836	RD-125-4812	48V, 0.3~2.5A	±2%	240mV	85%	138W
		12V, 1.0~7.0A	±10%	120mV		
10837	RD-125-2448	24V, 0.5~4.0A	±1%	200mV	86%	144W
		48V, 0.2~2.5A	±4%	240mV		
*10838	RD-125-4824	48V, 0.3~2.5A	±1%	240mV	86%	144W
		24V, 0.5~4.0A	±8%	240mV		
10839	RID-125-1205	12V, 2.0~10.5A	±2%	120mV	80%	125W
		5V, 0.0~3.0A	±3%	80mV		
10840	RID-125-2405	24V, 2.0~5.3A	±2%	120mV	83%	125W
		5V, 0.0~3.0A	±3%	80mV		

*Modified

50W — Quad Output (RT-50 without -5V or -12V output)

Stock No.	Model No.	Output	Tol.	R&N	Effi.	Max.
10881	RQ-50B	5V, 0.5~6.0A	±2%	80mV	74%	46W
		12V, 0.2~1.5A	±6%	120mV		
		-5V, 0.0~1.0A	±2%	100mV		
10882	RQ-50C	-12V, 0.0~1.0A	±2%	80mV		
		5V, 0.5~6.0A	±2%	80mV	75%	50W
		15V, 0.2~1.5A	±6%	120mV		
		-5V, 0.0~1.0A	±2%	100mV		
		-15V, 0.0~1.0A	±2%	80mV		
10883	RQ-50D	5V, 0.5~6.0A	±6%	80mV	79%	53W
		12V, 0.2~1.5A	±6%	120mV		
		24V, 0.1~1.0A	+7%, -5%	180mV		
		-12V, 0.0~1.0A	±2%	80mV		

65W — Quad Output (RT-65 without -5V or -12V output)

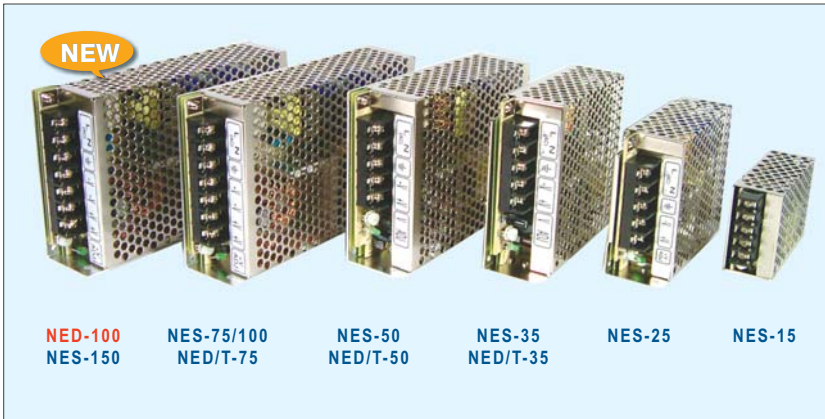
Stock No.	Model No.	Output	Tol.	R&N	Effi.	Max.
10891	RQ-65B	5V, 0.5~8.0A	±2%	80mV	76%	63W
		12V, 0.2~3.0A	+7%, -5%	120mV		
		-5V, 0.0~1.0A	±5%	80mV		
10892	RQ-65C	-12V, 0.0~1.0A	±5%	80mV		
		5V, 0.5~8.0A	±2%	80mV	76%	65W
		15V, 0.2~3.0A	+8%, -4%	120mV		
		-5V, 0.0~1.0A	±5%	80mV		
		-15V, 0.0~1.0A	±5%	80mV		
10893	RQ-65D	5V, 0.5~8.0A	±2%	80mV	78%	68W
		12V, 0.2~3.0A	±6%	120mV		
		24V, 0.1~1.5A	±8%	180mV		
		-12V, 0.0~1.0A	±5%	80mV		

85W — Quad Output (RT-85 without -5V or -12V output)

Stock No.	Model No.	Output	Tol.	R&N	Effi.	Max.
10901	RQ-85B	5V, 2.0~10A	±2%	80mV	76%	81W
		12V, 0.3~4.0A	+7%, -3%	120mV		
		-5V, 0.0~1.0A	±8%	100mV		
10902	RQ-85C	-12V, 0.0~1.0A	±5%	80mV		
		5V, 2.0~10A	±2%	80mV	77%	83W
		15V, 0.3~4.0A	+3%, -7%	120mV		
10903	RQ-85D	-5V, 0.0~1.0A	±8%	100mV		
		-15V, 0.0~1.0A	±5%	80mV		
		5V, 2.0~10A	±2%	80mV	78%	84W
		12V, 0.3~4.0A	+7%, -3%	120mV		
		24V, 0.1~1.5A	±8%	150mV		
		-12V, 0.0~1.0A	±5%	80mV		

125W — Quad Output (RT-125 without -5V or -12V output)

Stock No.	Model No.	Output	Tol.	R&N	Effi.	Max.
10911	RQ-125B	5V, 2.0~12A	±2%	80mV	79%	120W
		12V, 0.5~4.5A	+8%, -3%	120mV		
		-5V, 0.1~1.0A	+6%, -10%	80mV		
10912	RQ-125C	-12V, 0.0~1.0A	±5%	80mV		
		5V, 2.0~12A	±2%	80mV	80%	123W
		15V, 0.5~4.0A	+8%, -3%	120mV		
10913	RQ-125D	-5V, 0.1~1.0A	+6%, -10%	80mV		
		-15V, 0.0~1.0A	±5%	80mV		
		5V, 2.0~12A	±2%	80mV	82%	124W
		12V, 0.5~4.0A	+8%, -3%	120mV		
		24V, 0.1~2.5A	±8%	150mV		
		-12V, 0.0~1.0A	±5%	80mV		



Features

- Universal AC input / Full range (NES/D-100, NES-150 AC input selectable by switch)
- Protections: Short circuit / OLP / OVP
- Built-in over temperature protection for NES-15
- Cooling by free air convection
- Small size, high power density
- Low cost, high reliability
- 100% full load burn-in test
- Most economical low wattage solution with safety certificates
- 2 years warranty

General Specification (Please refer to www.meanwell.com for detail spec.)



Model No.	NES-15	NES-25	NES-35 NED/T-35	NES-50 NED/T-50	NES-75 NED/T-75	NES-100	NES-150 NED-100 NEW
AC input voltage range	85~264VAC universal input (120 ~ 370VDC)					115/230VAC by switch	
AC inrush current (max.)	Cold start, 45A at 230VAC						
DC adjustment range	±10% by potential meter for single output; CH1 -5~+10% by potential meter for multiple output					-5% ~ +10% (NES-100/150) CH1 -5% ~ +10% (NED-100)	
Overload protection	110%~150% hiccup mode, auto-recovery						
Over voltage protection	115%~135% rated output voltage, shut off					115%~135% hiccup mode, auto-recovery	
Withstand voltage	I/P - O/P: 3kVAC, I/P - FG: 1.5kVAC, O/P - FG: 0.5kVAC, 1 minute						
Working temperature	-20 ~ +60°C (refer to the derating curve for different models)						
Vibration	10~500Hz, 2G 10min/1 cycle, period for 60 min each along X, Y, Z axes						
Safety standards	UL60950-1 approved, also design refer to TUV EN60950-1						
EMC standards	EN55022 class B, EN61000-3-2,3, EN61000-4-2,3,4,5,6,8,11, ENV50204						
Connection	Terminal block for input and output						
Dimension (L*W*H)(mm)	78x 51x 28	99x 82x 35	99x 97x 36	129x 98x 38	159x 97x 38	159x 97x 38	199x 98x 38
Case No.	931	932	905	903	901	901	902
Packing	60pcs/13kg	45pcs/14.5kg	45pcs/17.2kg	45pcs/19.5kg	30pcs/16.6kg	30pcs/17.5kg	30pcs/22kg

15W – Single Output

Stock No.	Model No.	Output	Tol.	R&N	Effi.
11281	NES-15-5	5V, 0~3.0A	±2%	150mV	79%
11282	NES-15-12	12V, 0~1.3A	±1%	150mV	81%
11283	NES-15-15	15V, 0~1.0A	±1%	150mV	81%
11284	NES-15-24	24V, 0~0.7A	±1%	200mV	85%
11285	NES-15-48	48V, 0~0.35A	±1%	240mV	82%

25W – Single Output

Stock No.	Model No.	Output	Tol.	R&N	Effi.
11291	NES-25-5	5V, 0~5.0A	±2%	80mV	78%
11292	NES-25-12	12V, 0~2.1A	±1%	120mV	83%
11293	NES-25-15	15V, 0~1.7A	±1%	150mV	84%
11294	NES-25-24	24V, 0~1.1A	±1%	200mV	86%
11295	NES-25-48	48V, 0~0.57A	±1%	240mV	86%

35W – Single Output

Stock No.	Model No.	Output	Tol.	R&N	Effi.
11301	NES-35-5	5V, 0~7.0A	±2%	80mV	78%
11302	NES-35-12	12V, 0~3.0A	±1%	120mV	81%
11303	NES-35-15	15V, 0~2.4A	±1%	150mV	83%
11304	NES-35-24	24V, 0~1.5A	±1%	200mV	85%
11305	NES-35-48	48V, 0~0.8A	±1%	240mV	86%

50W – Single Output

Stock No.	Model No.	Output	Tol.	R&N	Effi.
11311	NES-50-5	5V, 0~10A	±2%	80mV	79%
11312	NES-50-12	12V, 0~4.2A	±1%	120mV	82%
11313	NES-50-15	15V, 0~3.4A	±1%	150mV	83%
11314	NES-50-24	24V, 0~2.2A	±1%	200mV	86%
11315	NES-50-48	48V, 0~1.1A	±1%	240mV	87%

75W – Single Output

Stock No.	Model No.	Output	Tol.	R&N	Effi.
11321	NES-75-5	5V, 0~14A	±2%	80mV	77%
11322	NES-75-12	12V, 0~6.2A	±1%	120mV	82%
11323	NES-75-15	15V, 0~5.0A	±1%	150mV	83%
11324	NES-75-24	24V, 0~3.2A	±1%	200mV	86%
11325	NES-75-48	48V, 0~1.6A	±1%	240mV	87%

100W – Single Output

Stock No.	Model No.	Output	Tol.	R&N	Effi.
11331	NES-100-5	5V, 0~20A	±2%	80mV	80%
11332	NES-100-7.5	7.5V, 0~13.6A	±1%	120mV	81%
11333	NES-100-9	9V, 0~11.2A	±1%	120mV	81%
11334	NES-100-12	12V, 0~8.5A	±1%	120mV	83%
11335	NES-100-15	15V, 0~7.0A	±1%	120mV	84%
11336	NES-100-24	24V, 0~4.5A	±1%	120mV	86%
11337	NES-100-48	48V, 0~2.3A	±1%	150mV	86%

150W – Single Output

Stock No.	Model No.	Output	Tol.	R&N	Effi.
11411	NES-150-3.3	3.3V, 0~30A	±3%	80mV	73%
11412	NES-150-5	5V, 0~26A	±2%	80mV	78%
11413	NES-150-7.5	7.5V, 0~20A	±1%	120mV	80%
11414	NES-150-9	9V, 0~16.7A	±1%	120mV	83%
11415	NES-150-12	12V, 0~12.5A	±1%	120mV	83%
11416	NES-150-15	15V, 0~10A	±1%	120mV	83%
11417	NES-150-24	24V, 0~6.5A	±1%	120mV	86%
11418	NES-150-48	48V, 0~3.3A	±1%	200mV	86%

35W — Dual Output

Stock No.	Model No.	Output	Tol.	R&N	Effi.	Max.
11341	NED-35A	5V, 0.5~5.0A	±2%	80mV	78%	32W
		12V, 0.1~1.5A	±6%	120mV		
11342	NED-35B	5V, 0.5~4.0A	±2%	80mV	81%	35W
		24V, 0.2~1.3A	±6%	200mV		

50W — Dual Output

Stock No.	Model No.	Output	Tol.	R&N	Effi.	Max.
11351	NED-50A	5V, 1.0~6.0A	±2%	80mV	79%	54W
		12V, 0.3~3.0A	±6%	120mV		
11352	NED-50B	5V, 1.0~6.0A	±2%	80mV	82%	54W
		24V, 0.2~2.0A	±6%	200mV		

75W — Dual Output

Stock No.	Model No.	Output	Tol.	R&N	Effi.	Max.
11361	NED-75A	5V, 1.0~8.0A	±2%	80mV	78%	71W
		12V, 0.3~4.0A	±6%	120mV		
11362	NED-75B	5V, 1.0~6.0A	±2%	80mV	81%	73W
		24V, 0.2~3.0A	±6%	200mV		

100W — Dual Output (Output isolated for NED-100) (GD) NEW

Stock No.	Model No.	Output	Tol.	R&N	Effi.	Max.
11711	NED-100A	5V, 2~10A	±2%	80mV	80%	100W
		12V, 0.7~7.0A	±10%	120mV		
11712	NED-100B	5V, 1~10A	±2%	80mV	82%	100W
		24V, 0.3~3.5A	±8%	200mV		
11713	NED-100C	12V, 0~8.0A	±2%	120mV	80%	99W
11714	NED-100D	5V, 0~3.0A	±3%	80mV		99W
		24V, 0~4.0A	±2%	120mV	82%	
		5V, 0~3.0A	±3%	80mV		

35W — Triple Output

Stock No.	Model No.	Output	Tol.	R&N	Effi.	Max.
11371	NET-35A	5V, 0.5~4.0A	±2%	80mV	78%	30W
		12V, 0.1~1.5A	±6%	120mV		
		-5V, 0.1~0.5A	±6%	120mV		
11372	NET-35B	5V, 0.5~4.0A	±2%	80mV	79%	33W
		12V, 0.1~1.5A	±6%	120mV		
		-12V, 0.1~0.5A	±6%	120mV		
11373	NET-35C	5V, 0.5~3.5A	±2%	80mV	79%	35W
		15V, 0.1~1.5A	±8%	150mV		
		-15V, 0.1~0.5A	±8%	150mV		
11374	NET-35D	5V, 0.5~3.5A	±2%	80mV	79%	37W
		24V, 0.1~1.0A	±8%	200mV		
		12V, 0.1~1.0A	±8%	120mV		

50W — Triple Output

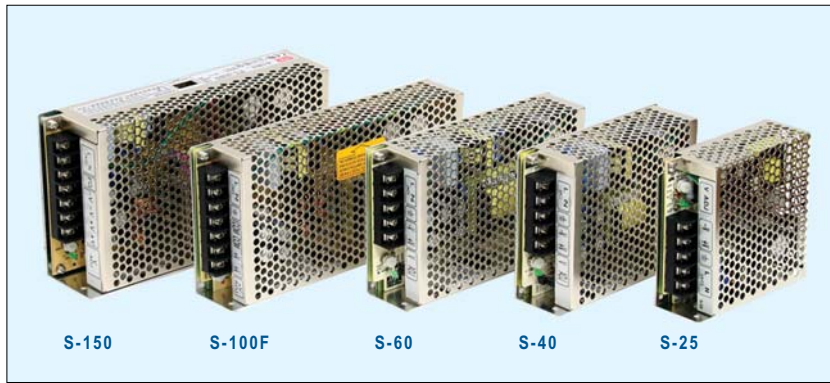
Stock No.	Model No.	Output	Tol.	R&N	Effi.	Max.
11381	NET-50A	5V, 0.6~5.0A	±2%	80mV	76%	47W
		12V, 0.2~2.5A	±6%	120mV		
		-5V, 0.1~0.7A	±5%	120mV		
11382	NET-50B	5V, 0.6~5.0A	±2%	80mV	78%	50W
		12V, 0.2~2.5A	±6%	120mV		
		-12V, 0.1~0.7A	±5%	120mV		
11383	NET-50C	5V, 0.6~5.0A	±2%	80mV	78%	50W
		15V, 0.1~2.0A	±8%	150mV		
		-15V, 0.1~0.7A	±5%	150mV		
11384	NET-50D	5V, 0.6~5.0A	±2%	80mV	79%	51W
		24V, 0.1~1.5A	±8%	200mV		
		12V, 0.1~1.5A	±6%	120mV		

75W — Triple Output

Stock No.	Model No.	Output	Tol.	R&N	Effi.	Max.
11391	NET-75A	5V, 0.6~7.0A	±2%	80mV	77%	69W
		12V, 0.2~3.5A	±6%	120mV		
		-5V, 0.1~0.7A	±5%	120mV		
11392	NET-75B	5V, 0.6~7.0A	±2%	80mV	78%	65W
		12V, 0.2~3.5A	±6%	120mV		
		-12V, 0.1~0.7A	±5%	120mV		
11393	NET-75C	5V, 0.6~7.0A	±2%	80mV	78%	72W
		15V, 0.1~3.5A	±8%	150mV		
		-15V, 0.1~0.7A	±5%	150mV		
11394	NET-75D	5V, 0.6~6.0A	±2%	80mV	80%	73W
		24V, 0.1~2.0A	±8%	200mV		
		12V, 0.1~1.5A	±6%	120mV		

List of RoHS Compliance Standard Product

Product Family	Series
G3	RS-15 / 25 / 35 / 50 / 75 / 100 / 150 RD-35 / 50 / 65 / 85 / 125 RID-50 / 65 / 85 / 125, RT-50 / 65 / 85 / 125 RQ-50 / 65 / 85 / 125
G2	S-25 / 40 / 60 / 100F / 150 / 240 T-40, D / ID / T / IT / Q / IQ-60 D / T / Q-120, SC-150
PFC	SP-75 / 100 / 150 / 200 / 320 / 480 SP-500 / 750, USP-225 / 350 / 500 TP-75 / 100 / 150, QP-100 / 150 / 200 / 320 / 375
G5	HRP(G)-150 / 300 / 600
LP / ELN / PLN / PLC / CLG / PLP	LPL/H-18, LPV/C-20, LPV/C-35, LPV/C-60, ELN-30 / 60 PLN-20 / 30 / 60 / 100, PLC-30 / 60 / 100 CLG-60 / 100 / 150 / 240 PLP-20 / 30 / 60
DIN	MDR-10/20/40/60/100, DR-15/30/45/60/75/100 / 120 DRP-240 / 480 / 480S, SDR-240 / 480 DRH-120, DRT-240 / 480 / 960 DR-RDN20, DR-UPS40
Modular	MP-450 / 650 / 1K0, MS-75 / 150 / 300, MD-100
Parallel	PSP-500 / 600 / 1000 / 1500 RSP-1000 / 1500 / 3000, RCP-1000 / 1U / MU SCN-600 / 800 / 1K2 / 1K5 / 2K0 SCP-600 / 800 / 1K2 / 2K4
Security	ADS-55 / 155, AD-55 / 155, ADD-55 / 155, PSC-60
Open Frame	NFM-05 / 10 / 15 / 20 PM-05 / 10 / 15 / 20, PS-05 / 15, PS / PD-25 PS-35, PS / PD / PT-45, PS / PD / PT-65 RPD / RPT-65, PD-110, PQ-100 PPQ-100, PPS / PPT-125 LPS-50 / 75 / 100, LPP-100 / 150 ASP-150, PPS-200, PID-250, MPS-30 MPS / MPD / MPT-45, RPS / RPD / RPT-60 MPS / MPD / MPT-65, RPS / RPD / RPT-75 MPS / MPD / MPT / MPQ-120 RPS(G) / RPD(G) / RPT(G)-160 MPS / MPD / MPT / MPQ-200
Charger	PA / PB / PS-120, ESC / ESP-120 ESC / ESP-240, PB-300 / 360 / 600 / 1000, GC30
Adaptor	U65S / P25 / P30 / P40 / P50 / P66 MES30 / MES50 / GS06 / GS12 / GS15 GE12 / GE18 / GE24 GS18 / GS25 / ES18 / ES25, GS40 / 60 / 90 FM90C, AS-120P, GS220
PC Power	ATX-100, YP-350 / 400 / 450, IPC-200 / 250 / 300
DC/DC Converter	SRS / SUS / SBT / SFT / DET / SPR / SPU / SPA / SPB SCW / SLW / SKE / SKA / DCW / DLW DKE / DKA / TKA, PSD-05 / 15 / 45 SD-15 / 25 / 50 / 100 / 150 / 200 / 350 / 500 / 1000 SDM30, NSD05 / 10 / 15, NID30 / 60
DC/AC Inverter	A301 / A302, TN-1500, TS-200 / 400 / 700 / 1000 / 1500
AC Cord	YP** + YC**



Features

- Universal AC input / Full range (25~60W)
AC input selectable by switch (100~150W)
- Protections: Short circuit / Overload / Over voltage
- Cooling by free air convection
- 100% full load burn-in test
- 2 years warranty

General Specification (Please refer to www.meanwell.com for detail spec.)

Model No.	S-25	S-40	S-60	S-100F	S-150
AC input voltage range	85~264 VAC			88~132/176~264 VAC selectable by switch	
AC inrush current (max.)	Cold start, 25A at 230VAC	Cold start, 50A at 230VAC	Cold start, 40A at 230VAC		Cold start, 35A at 230VAC
DC adjustment range	±10% rated output voltage				
OLP	Range	105%~150% rated output power			Shut off, AC recycle to re-start
	Type	Hiccup mode, auto recovery			
OVP	Range	115%~135% rated output voltage			115%~145%
	Type	Hiccup mode, auto recovery			Shut off, AC recycle to re-start
Withstand voltage	I/P - O/P: 3kVAC, I/P - FG: 1.5kVAC, O/P - FG: 0.5kVAC, 1 minute				
Working temperature	-10 ~ +60°C (refer to output derating curve)				
Safety standards	UL1012, TUV EN60950-1 approved	UL1012, UL60950-1 TUV EN60950-1 approved	UL1012, UL60950-1, TUV EN60950-1, GB4943 approved, CSA60950-1(S-100F-24 only)		
EMC standards	EN55022 class B, EN61000-3-2,3, ENV50204, EN61000-4-2,3,4,5,6,8,11 (S-25/40: EN61000-4-2,3,4,5 only), GB9254 (S-60 / S-100F / S-150 only)				
Connection	5P / 9.5mm pitch terminal block			7P / 9.5mm pitch terminal block	
Dimension (L*W*H)(mm)	99x 97x 36	129x 98x 38	159x 97x 38	199x 98x 38	199x 110x 50
Case No.	905	903	901	902	906
Packing	45pcs/18kg	30pcs/13.9kg	24pcs/13.1kg	20pcs/14.2kg	16pcs/13.8kg

S-25 Series



Stock No.	Model No.	Output	Tol.	R&N	Effi.
10011	S-25-5	5V, 0~5A	±2%	50mV	72%
10012	S-25-12	12V, 0~2.1A	±1%	100mV	76%
10013	S-25-15	15V, 0~1.7A	±1%	100mV	77%
10014	S-25-24	24V, 0~1.1A	±1%	100mV	80%

S-100F Series



Stock No.	Model No.	Output	Tol.	R&N	Effi.
10071	S-100F-5	5V, 0~20A	±2%	100mV	76%
10072	S-100F-7.5	7.5V, 0~13.5A	±1%	125mV	78%
10073	S-100F-12	12V, 0~8.5A	±1%	125mV	80%
10074	S-100F-15	15V, 0~6.7A	±1%	125mV	81%
10075	S-100F-24	24V, 0~4.5A	±1%	150mV	83%
10076	S-100F-48	48V, 0~2.2A	±1%	150mV	84%

S-40 Series



Stock No.	Model No.	Output	Tol.	R&N	Effi.
10031	S-40-5	5V, 0~8A	±2%	75mV	72%
10032	S-40-12	12V, 0~3.5A	±1%	100mV	76%
10033	S-40-15	15V, 0~2.8A	±1%	100mV	76%
10034	S-40-24	24V, 0~1.8A	±1%	100mV	78%

S-60 Series



Stock No.	Model No.	Output	Tol.	R&N	Effi.
10051	S-60-5	5V, 0~12A	±2%	120mV	73%
10052	S-60-12	12V, 0~5.0A	±1%	120mV	76%
10053	S-60-15	15V, 0~4.0A	±1%	150mV	77%
10054	S-60-24	24V, 0~2.5A	±1%	150mV	79%

S-150 Series



Stock No.	Model No.	Output	Tol.	R&N	Effi.
10081	S-150-5	5V, 0~30A	±2%	150mV	78%
10082	S-150-7.5	7.5V, 0~20A	±1%	150mV	80%
10083	S-150-9	9V, 0~16.7A	±1%	180mV	80%
10084	S-150-12	12V, 0~12.5A	±1%	180mV	82%
10088	S-150-13.5	13.5V, 0~11.2A	±1%	180mV	83%
10085	S-150-15	15V, 0~10A	±1%	180mV	84%
10086	S-150-24	24V, 0~6.5A	±1%	240mV	85%
10089	S-150-27	27V, 0~5.6A	±1%	240mV	86%
10087	S-150-48	48V, 0~3.2A	±1%	240mV	87%

✦ Another SC model with constant current limiting & temperature compensation circuit.



Features

- AC input selectable by switch
- Protections: Short circuit / OLP / OVP / OTP
(S-250: Short circuit / OLP / OVP)
- Forced air cooling by built-in DC fan (except for S-210)
- Cooling fan ON/OFF auto control (S-320)
- 100% full load burn-in test
- LED indicator for power on
- 2 years warranty

General Specification (Please refer to www.meanwell.com for detail spec.)



Model No.	S-210	S-250	S-320
AC input voltage range	90~132VAC / 180~264VAC selectable by switch		
AC inrush current (max.)	Cold start, 50A at 230VAC	Cold start, 36A at 230VAC	Cold start, 45A at 230VAC
DC adjustment range	±10% rated Output voltage		
OLP	Range	105%~150%	105%~135%
	Type	Hiccup mode, auto-recovery	
Over voltage protection	115%~145% rated output voltage	115%~135% rated output voltage	115%~145% rated output voltage
Withstand voltage	I/P - O/P: 3kVAC, I/P - FG: 1.5kVAC, 1 minute		
Working temperature	-20~+50°C	-10~+60°C	
Safety standards	UL60950-1 approved		
EMC standards	Design refer to EN55022 class B		
Connection	Terminal block with cover for input and output		
Dimension (L*W*H)(mm)	215x 115x 50	150x 140x 86	215x 115x 50
Case No.	912E	907	912
Packing	12pcs / 12.4kg	8pcs / 11.0kg	12pcs / 13.8kg

210W S-210

Stock No.	Model No.	Output	Tol.	R&N	Effi.
11401	S-210-5	5V, 0~40A	±2%	80mV	79%
11402	S-210-7.5	7.5V, 0~27A	±2%	100mV	82%
11403	S-210-12	12V, 0~17A	±1%	120mV	83%
11404	S-210-13.5	13.5V, 0~15A	±1%	120mV	84%
11405	S-210-15	15V, 0~14A	±1%	120mV	85%
11406	S-210-24	24V, 0~8.8A	±1%	200mV	87%
11407	S-210-27	27V, 0~7.8A	±1%	200mV	87%
11408	S-210-48	48V, 0~4.4A	±1%	200mV	87%

250W S-250

Stock No.	Model No.	Output	Tol.	R&N	Effi.
10651	S-250-5	5V, 0~40A	±2%	80mV	74.0%
10652	S-250-12	12V, 0~18A	±1%	120mV	79.0%
10653	S-250-15	15V, 0~15A	±1%	120mV	80.0%
10654	S-250-24	24V, 0~10A	±1%	120mV	81.5%
10655	S-250-27	27V, 0~9.0A	±1%	150mV	82.0%
10656	S-250-48	48V, 0~5.2A	±1%	200mV	82.0%

320W S-320

Stock No.	Model No.	Output	Tol.	R&N	Effi.
10111	S-320-5	5V, 0~50A	±2%	150mV	77%
10112	S-320-7.5	7.5V, 0~36A	±2%	150mV	80%
10113	S-320-12	12V, 0~25A	±1%	150mV	82%
10114	S-320-13.5	13.5V, 0~22A	±1%	150mV	83%
10115	S-320-15	15V, 0~20A	±1%	150mV	84%
10116	S-320-24	24V, 0~12.5A	±1%	150mV	86%

Stock No.	Model No.	Output	Tol.	R&N	Effi.
10117	S-320-27	27V, 0~11A	±1%	200mV	86%
10118	S-320-48	48V, 0~6.5A	±1%	240mV	87%

1000W Quad Output with PFC Function

Low Cost Substitute of Modular Power

Under Development

- Built-in external voltage control function 10~120% for CH3 & CH4
- Universal AC input / Full range
- Built-in active PFC function, PF > 0.95
- Protections: Short circuit / Overload / Over voltage / Over temp.
- Built-in remote ON/OFF control for CH3, CH4, and the whole unit
- Isolated outputs with independent PWM control, no minimum load required
- Built-in remote sense for CH3 & CH4
- Output current monitor signal for CH3 & CH4
- Cooling by built-in DC fan
- DC output: 12V@8A / 5V@6A / 24V@12.5A / 24V@25A
- Design refer to UL60950-1, TUV EN60950-1
- Dimension(LxWxH)(mm): 278 x 177.8 x 63.5
- 3 years warranty



Features

- AC input selectable by switch (450~1000W)
- AC input 180~264VAC only (SE-1500)
- Protections: Short circuit / OLP / OVP / OTP
- Forced air cooling by built-in DC fan
- Built-in remote sense function
- DC OK, remote ON/OFF control (SE-1000/1500)
- 100% full load burn-in test
- LED indicator for power on
- 2 years warranty

General Specification (Please refer to www.meanwell.com for detail spec.)



Model No.	SE-450 NEW	SE-600	SE-1000	SE-1500 NEW
AC input voltage range	90~132VAC / 180~264VAC selected by switch			180~264VAC
AC inrush current (max.)	Cold start, 55A at 230VAC	Cold start, 50A at 230VAC	Cold start, 55A at 230VAC	Cold start, 60A at 230VAC
DC adjustment range	±10% rated Output voltage			
OLP	Range	105% ~150%	105%~125%	
	Type	Shut down o/p voltage, re-power on to recovery		
Over voltage protection	115%~145%	115%~140%		
Withstand voltage	I/P - O/P: 3kVAC, I/P - FG: 1.5kVAC, 1 minute			
Working temperature	-10~+60°C (refer to output derating curve)	-20~+60°C (refer to output derating curve)		-20~+70°C (refer to output derating curve)
Safety standards	UL60950-1 approved			
EMC standards	Design refer to EN55022 class B			
Connection	Terminal block with cover for input and output (SE-1000/1500: copper pillars for output)			
Dimension (L*W*H)(mm)	225x 124x 50	247x 127x 63.5	278x 127x 63.5	278x 177.8x 63.5
Case No.	986	926A	935B	982A
Packing	12pcs / 16kg	6pcs / 13.4kg	6pcs / 13.8kg	4pcs / 14.2kg

450W **NEW** SE-450

Stock No.	Model No.	Output	Tol.	R&N	Effi.
11721	SE-450-3.3	3.3V, 0~75A	±3%	200mV	74%
11722	SE-450-5	5V, 0~75A	±3%	200mV	78%
11723	SE-450-12	12V, 0~37.5A	±1%	200mV	83%
11724	SE-450-15	15V, 0~30A	±1%	200mV	84%
11725	SE-450-24	24V, 0~18.8A	±1%	200mV	86%
11726	SE-450-36	36V, 0~12.5A	±1%	200mV	86%
11727	SE-450-48	48V, 0~9.4A	±1%	200mV	88%

1000W SE-1000

Stock No.	Model No.	Output	Tol.	R&N	Effi.
11421	SE-1000-5	5V, 0~150A	±1%	150mV	81%
11422	SE-1000-9	9V, 0~100A	±1%	150mV	84%
11423	SE-1000-12	12V, 0~83.3A	±1%	150mV	85%
11424	SE-1000-15	15V, 0~66.7A	±1%	150mV	86%
11425	SE-1000-24	24V, 0~41.7A	±1%	200mV	88%
11426	SE-1000-48	48V, 0~20.8A	±1%	200mV	89%

600W SE-600

Stock No.	Model No.	Output	Tol.	R&N	Effi.
10661	SE-600-5	5V, 0~100A	±2%	150mV	78%
10662	SE-600-12	12V, 0~50A	±1%	150mV	83%
10663	SE-600-15	15V, 0~40A	±1%	150mV	84%
10664	SE-600-24	24V, 0~25A	±1%	150mV	87%
10665	SE-600-27	27V, 0~22.2A	±1%	150mV	87%
10667	SE-600-36	36V, 0~16.6A	±1%	200mV	87%
10666	SE-600-48	48V, 0~12.5A	±1%	200mV	88%

1500W **NEW** SE-1500

Stock No.	Model No.	Output	Tol.	R&N	Effi.
11731	SE-1500-5	5V, 0~300A	±2%	150mV	81%
11732	SE-1500-12	12V, 0~125A	±1%	150mV	85%
11733	SE-1500-15	15V, 0~100A	±1%	150mV	85%
11734	SE-1500-24	24V, 0~62.5A	±1%	150mV	87%
11735	SE-1500-27	27V, 0~55.6A	±1%	150mV	88%
11736	SE-1500-48	48V, 0~31.3A	±1%	150mV	89%



To satisfy our customers is our goal —

- High Quality
- Low Cost
- Prompt Delivery
- Best Service



48hrs delivery—

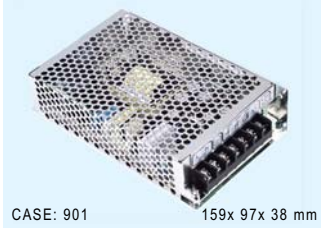
We keep enough stock for 95% of standard models at our 2400m² warehouse. We can arrange prompt delivery within 48hrs.



Best products also need best service.

We have authorized distributors all over the world. They have sufficient stock for your prompt delivery. Also they can offer you technical support & RMA services. Please contact your local distributors for more product information. You can also contact us at info@meanwell.com for information of your local distributors.

60W Dual and Triple Output Switching Power Supply



- Universal AC input / Full range
- Protections: Short circuit / Overload / Over voltage
- Fixed switching frequency at 54kHz (D-60)
- Fixed switching frequency at 50kHz (T-60)
- Cooling by free air convection
- 100% full load burn-in test
- 2 years warranty

AC input voltage range 85~264VAC; 120~370VDC
 AC inrush current Cold start, 25A at 115VAC, 45A at 230VAC
 DC adjustment range CH1: -5~+10% rated output voltage
 Overload protection 105%~150% hiccup mode, auto-recovery
 Over voltage protection CH1: 115%~135% rated output voltage
 Setup, rise, hold up time ... 300ms, 50ms, 80ms at full load and 230VAC
 Withstand voltage I/P-O/P:3.0kVAC, I/P-FG:1.5kVAC, 1minute
 Working temperature 0~45°C@100%, -10°C@80%, 60°C@60% load
 Safety standards UL1012, UL60950-1, TUV EN60950-1 approved
 EMC standards EN55022 class B, EN61000-3-2,3
 EN61000-4-2,3,4,5,6,8,11, ENV50204
 Connection 7P/ 9.5mm pitch terminal block
 10P/ 7.62mm pitch terminal block (IT-60)
 Packing 0.54kg ; 24pcs / 13.8kg / 0.75CUFT (D-60)
 0.55kg ; 24pcs / 13.9kg / 0.75CUFT (ID-60)
 0.55kg ; 24pcs / 14.1kg / 0.75CUFT (T-60)
 0.51kg ; 24pcs / 13.2kg / 0.75CUFT (IT-60)

❖ Dual output

Stock No.	Model No.	Output	Tol.	R&N	Effi.	Max.
10181	D-60A	5V, 0.3~6.0A	±2%	75mV	73%	56W
		12V, 0.2~4.0A	±6%	150mV		
10182	D-60B	5V, 0.3~6.0A	±2%	75mV	76%	58W
		24V, 0.2~2.2A	±5%	150mV		

❖ Dual output (Note: 5V output is isolated from 24V)

Stock No.	Model No.	Output	Tol.	R&N	Effi.	Max.
10183	ID-60B	5V, 0.3~6.0A	±2%	100mV	76%	58W
		24V, 0.2~2.2A	±8%	240mV		

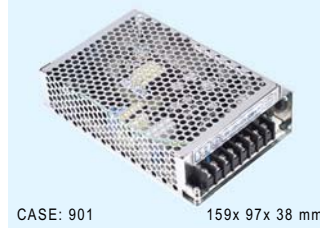
❖ Triple output

Stock No.	Model No.	Output	Tol.	R&N	Effi.	Max.
10291	T-60A	5V, 0.5~7.0A	±2%	100mV	72%	58W
		12V, 0.2~3.5A	±6%	100mV		
		-5V, 0.0~1.0A	±6%	100mV		
10292	T-60B	5V, 0.5~7.0A	±2%	100mV	72%	61W
		12V, 0.2~3.5A	±6%	100mV		
		-12V, 0.0~1.0A	±6%	100mV		
10293	T-60C	5V, 0.5~7.0A	±2%	100mV	72%	63W
		15V, 0.2~3.0A	±6%	100mV		
		-15V, 0.0~1.0A	±6%	100mV		

❖ Triple output (Note: All outputs are isolated)

Stock No.	Model No.	Output	Tol.	R&N	Effi.	Max.
10296	IT-60D	5V, 0.5~3.0A	±3%	80mV	76%	58W
		12V, 0.1~1.0A	±8%	120mV		
		24V, 0.2~2.0A	±8%	240mV		
10297	IT-60F	5V, 0.5~3.0A	±3%	80mV	76%	58W
		15V, 0.1~1.0A	±8%	150mV		
		24V, 0.2~2.0A	±8%	240mV		

60W Quad Output Switching Power Supply



- Universal AC input / Full range
- Protections: Short circuit / Overload / Over voltage
- Approvals: UL / CUL / CE (TUV / CB also for Q-60)
- Cooling by free air convection
- 100% full load burn-in test
- 2 years warranty

AC input voltage range90~264VAC; 127~370VDC
 DC adjustment range CH1: -5~+10% rated output voltage
 Overload protection 105%~150% hiccup mode, auto-recovery
 Over voltage protection CH1: 115%~135% rated output voltage
 Setup, rise, hold up time 800ms, 20ms, 70ms at full load and 230VAC (Q-60)
 300ms, 20ms, 80ms at full load and 230VAC (IQ-60)
 Withstand voltage I/P-O/P:3.0kVAC, I/P-FG:1.5kVAC, 1minute
 Working temperature -10~60°C (refer to output derating curve)
 Safety standards UL60950-1 approved for Q-60
 UL60950-1, TUV EN60950-1 approved for IQ-60
 EMC standards EN55022 class B, EN61000-3-2,3
 EN61000-4-2,3,4,5,6,8,11, ENV50204
 Connection 8P/ 8.25mm pitch terminal block for Q-60
 10P/ 7.62mm pitch terminal block for IQ-60
 Packing 0.56kg ; 24pcs / 14.4kg / 0.75CUFT (Q-60)
 0.55kg ; 24pcs / 14.2kg / 0.75CUFT (IQ-60)

❖ Quad output and UL / CUL / CE approved

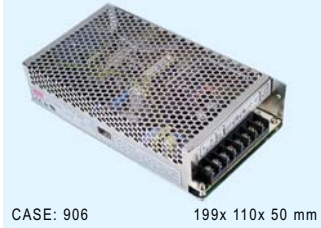
Stock No.	Model No.	Output	Tol.	R&N	Effi.	Max.
10331	Q-60B	5V, 0.5~8.0A	±2%	100mV	70%	60W
		12V, 0.1~3.0A	±6%	120mV		
		-5V, 0.0~1.0A	±5%	100mV		
10332	Q-60C	5V, 0.5~8.0A	±2%	100mV	72%	60W
		15V, 0.1~3.0A	+8%,-4%	120mV		
		-5V, 0.0~1.0A	±5%	100mV		
10333	Q-60D	5V, 0.5~8.0A	±2%	100mV	75%	62W
		12V, 0.1~3.0A	±6%	120mV		
		24V, 0.1~1.5A	+8%,-4%	150mV		
		-12V, 0.0~1.0A	±5%	120mV		

❖ 5V, 24V are isolated from CH2 & CH3 and UL / CUL / TUV / CB / CE approved

Stock No.	Model No.	Output	Tol.	R&N	Effi.	Max.
10336	IQ-60D	5V, 0.5~3.0A	±3%	80mV	76%	58W
		12V, 0.1~1.0A	±8%	120mV		
		-12V, 0.1~1.0A	±8%	120mV		
10337	IQ-60F	5V, 0.5~3.0A	±3%	80mV	76%	60W
		15V, 0.1~1.0A	±8%	150mV		
		-15V, 0.1~1.0A	±8%	150mV		
		24V, 0.2~2.0A	±8%	240mV		

► Note: Output isolated models can reduce noise interference from the system.

120W 2~4 Output Switching Power Supply



- AC input range selectable by switch
- Protections: Short circuit / Overload / Over voltage
- Cooling by free air convection
- 100% full load burn-in test
- 2 years warranty

AC input voltage range 88~132VAC / 176~264VAC selectable by switch
 DC adjustment range CH1: -5~+10% rated output voltage
 Overload protection 105%~135% shut off, AC recycle to re-start
 Over voltage protection CH1: 115%~135% rated output voltage
 Setup, rise, hold up time ... 200ms, 50ms, 20ms at full load and 230VAC (D-120, Q-120); 800ms, 20ms, 20ms at full load and 230VAC(T-120)
 Withstand voltage I/P-O/P:3.0kVAC, I/P-FG:1.5kVAC, 1minute
 Working temperature 0~50°C@100%, -10°C@80%, 60°C@40% load (D-120) / 60% load (T-120, Q-120)
 Safety standards UL60950-1, TUV EN60950-1, GB4943 approved
 EMC standards EN55022 class B, EN61000-3-2,3, GB9254, EN61000-4-2,3,4,5,6,8,11, ENV50204
 Connection 8P/ 9.5mm pitch terminal block
 Packing 0.82kg ; 16pcs / 14.2kg / 0.95CUFT (D-120)
 0.83kg ; 16pcs / 14.2kg / 0.95CUFT (T-120)
 0.86kg ; 16pcs / 14.7kg / 0.95CUFT (Q-120)

✦ Dual output

Stock No.	Model No.	Output	Tol.	R&N	Effi.	Max.
10221	D-120A	5V, 2.0~12A	±2%	60mV	78%	120W
		12V, 0.5~5.0A	±6%	120mV		
10222	D-120B	5V, 2.0~10A	±2%	60mV	80%	126W
		24V, 0.4~4.0A	±7%	150mV		

✦ Triple output

Stock No.	Model No.	Output	Tol.	R&N	Effi.	Max.
10721	T-120A	5V, 2.0~12A	±2%	80mV	77%	120W
		12V, 0.5~5.0A	±6%	120mV		
		-5V, 0.2~1.0A	±6%	80mV		
10722	T-120B	5V, 2.0~12A	±2%	80mV	77%	121W
		12V, 0.5~5.0A	±6%	120mV		
		-12V, 0.2~1.0A	±6%	120mV		
10723	T-120C	5V, 2.0~12A	±2%	80mV	76%	118W
		15V, 0.5~5.0A	+10%, -5%	150mV		
		-15V, 0.2~1.0A	+10%, -5%	150mV		
10724	T-120D	5V, 2.0~12A	±2%	80mV	80%	118W
		12V, 0.2~5.0A	±6%	120mV		
		24V, 0.2~2.0A	±6%	180mV		

✦ Quad output

Stock No.	Model No.	Output	Tol.	R&N	Effi.	Max.
10351	Q-120B	5V, 2.0~12A	±2%	80mV	77%	120W
		12V, 0.5~5.0A	±6%	120mV		
		-5V, 0.2~1.0A	±6%	80mV		
		-12V, 0.2~1.0A	±6%	120mV		
10352	Q-120C	5V, 2.0~12A	±2%	80mV	76%	123W
		15V, 0.5~5.0A	+10%, -5%	150mV		
		-5V, 0.2~1.0A	±6%	80mV		
10353	Q-120D	5V, 2.0~12A	±2%	80mV	80%	124W
		12V, 0.2~5.0A	±6%	120mV		
		24V, 0.2~2.0A	±6%	180mV		
		-12V, 0.2~1.0A	±6%	120mV		

250W Quad Output Switching Power Supply

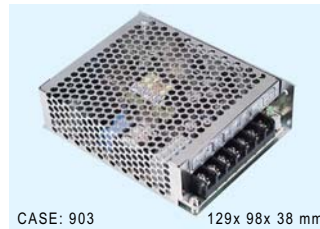


- AC input range selectable by switch
- Protections: Short circuit / Overload / Over voltage
- Fixed switching frequency at 75kHz
- Forced air cooling by built-in DC fan
- 100% full load burn-in test
- Low cost, high reliability
- 2 years warranty

AC input voltage range 90~132VAC / 176~264VAC selectable by switch
 DC adjustment range CH1: -5~+10% rated output voltage
 Overload protection 105%~150% hiccup mode, auto-recovery
 Over voltage protection CH1: 115%~135% rated output voltage
 Setup, rise, hold up time ... 800ms, 50ms, 20ms at full load and 230VAC
 Working temperature -10~50°C@100%, 60°C@60% load
 Safety standards UL60950-1 approved
 Connection 9P/ 9.5mm pitch terminal block with cover
 Packing 1.4kg ; 8pcs / 11.5kg / 0.97CUFT

Stock No.	Model No.	Output	Tol.	R&N	Effi.	Max.
10631	Q-250B	5V, 2.0~20A	±2%	80mV	73%	201W
		12V, 0.5~7.0A	+8%, -10%	120mV		
		-12V, 0.5~1.0A	±10%	120mV		
10632	Q-250C	5V, 2.0~20A	±2%	80mV	74%	195W
		15V, 0.5~5.0A	±10%	150mV		
		-15V, 0.5~1.0A	±10%	150mV		
10633	Q-250D	5V, 2.0~15A	±2%	80mV	78%	242W
		12V, 0.5~6.0A	+6%, -10%	120mV		
		24V, 0.5~5.0A	±8%	240mV		
10634	Q-250F	5V, 2.0~15A	±2%	80mV	78%	245W
		15V, 0.5~5.0A	+6%, -10%	150mV		
		24V, 0.5~5.0A	±8%	240mV		
		-15V, 0.0~1.0A	±6%	150mV		

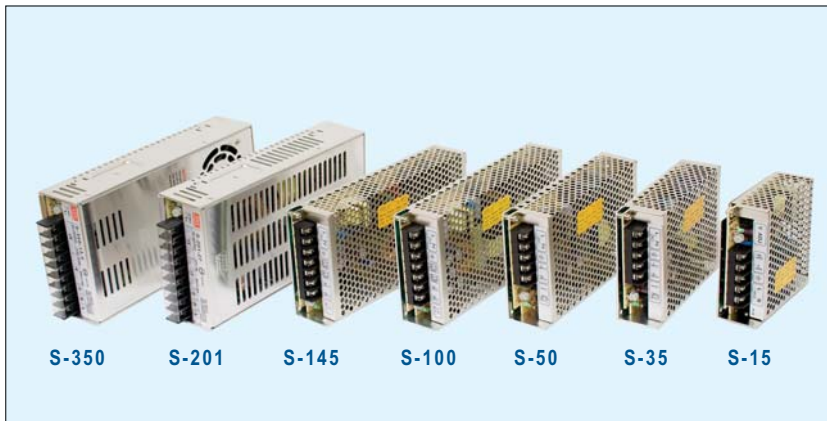
40W Triple Output Switching Power Supply



- Universal AC input / Full range
- Protections: Short circuit / Overload / Over voltage
- Fixed switching frequency at 40kHz
- Cooling by free air convection
- 100% full load burn-in test
- 2 years warranty

AC input voltage range 85~264VAC; 120~370VDC
 DC adjustment range CH1: -5~+10% rated output voltage
 Overload protection 105%~150% hiccup mode, auto-recovery
 Over voltage protection CH1: 115%~135% rated output voltage
 Withstand voltage I/P-O/P:3kVAC, I/P-FG:1.5kVAC, 1minute
 Working temperature 0~50°C@100%, -10°C@80%, 60°C@60% load
 Safety standards CSA60950-1 approved
 EMC standards EN55022 class B, EN61000-3-2,3, EN61000-4-2,3,4,5,6,8,11, ENV50204
 Connection 7P/ 9.5mm pitch terminal block with cover
 Packing 0.44kg ; 30pcs / 14.7kg / 0.86CUFT

Stock No.	Model No.	Output	Tol.	R&N	Effi.	Max.
10271	T-40A	5V, 0.6~5.0A	±2%	100mV	72%	42W
		12V, 0.2~3.0A	±6%	120mV		
		-5V, 0.1~1.0A	±8%	100mV		
10272	T-40B	5V, 0.6~5.0A	±2%	100mV	72%	45W
		12V, 0.2~3.0A	±6%	120mV		
		-12V, 0.1~1.0A	±8%	120mV		
10273	T-40C	5V, 0.6~5.0A	±2%	100mV	72%	45W
		15V, 0.2~2.0A	±6%	120mV		
		-15V, 0.1~1.0A	±6%	120mV		



■ Features

- AC input range selectable by switch
- Protections: Short circuit / OLP (all models)
- Over voltage protection (S-145 / 201 / 350)
- Over temperature protection (S-201/350)
- Cooling by free air convection (15~200W)
- Cooling by built-in DC fan with fan ON/OFF auto control (350W)
- 100% full load burn-in test
- LED indicator for power on
- Low cost
- 1 year warranty

■ General Specification (Please refer to www.meanwell.com for detail spec.)

Model No.	S-15	S-35	S-50	S-100	S-145	S-201	S-350
AC input voltage range	85~132VAC / 170~264VAC selectable by switch			90~132VAC / 180~264VAC selectable by switch			
AC inrush current (230VAC)	30A	36A	36A	60A	35A	50A	50A
DC adjustment range	±10% rated output voltage						
OLP	Range	105~150% (S-100-7.5: 150~200%, S-100-36: 130~180%)			105~165%	105~135%	
	Type	Fold back current limiting, auto-recovery		Shut off, AC recycle to re-start		Hiccup mode	Constant current
Over voltage protection	S-145 / 201: 115%~145%, shut off, re-power on to recover, S-350: 115%~135% hiccup mode, auto-recovery						
Withstand voltage	I/P - O/P: 1.5kVAC, I/P - FG: 1.5kVAC, 1 minute						
Working temperature	-10~+60°C (refer to output derating curve)					-10~+50°C	-10~+60°C
Safety standards	Design refer to UL1012					Design refer to UL1950	
EMC standards	Design refer to FCC part 15 J						
Connection	Terminal block for input and output						
Dimension (L*W*H)(mm)	99x 97x 36	129x 98x 38	159x 97x 38	199x 98x 38	199x 98x 38	215x 115x 50	215x 115x 50
Case No.	905	903	901	902	902	912E	912A
Packing	45pcs/15.0kg	30pcs/13.4kg	24pcs/13.1kg	20pcs/13.6kg	30pcs/22.5kg	12pcs/12.0kg	12pcs/13.5kg

■ 15W S-15

Stock No.	Model No.	Output	Tol.	R&N	Effi.
10001	S-15-5	5V, 0~3.0A	±2%	50mV	65%
10002	S-15-12	12V, 0~1.3A	±1%	50mV	68%
10003	S-15-24	24V, 0~0.7A	±1%	100mV	72%

■ 35W S-35

Stock No.	Model No.	Output	Tol.	R&N	Effi.
10021	S-35-5	5V, 0~7.0A	±2%	75mV	70%
10022	S-35-12	12V, 0~3.0A	±1%	100mV	76%
10023	S-35-15	15V, 0~2.4A	±1%	100mV	78%
10024	S-35-24	24V, 0~1.5A	±1%	100mV	78%

■ 50W S-50

Stock No.	Model No.	Output	Tol.	R&N	Effi.
10041	S-50-5	5V, 0~10A	±2%	75mV	71%
10042	S-50-12	12V, 0~4.2A	±1%	100mV	78%
10043	S-50-15	15V, 0~3.4A	±1%	100mV	78%
10044	S-50-24	24V, 0~2.1A	±1%	100mV	82%

■ 100W S-100

Stock No.	Model No.	Output	Tol.	R&N	Effi.
10061	S-100-3	3V, 0~20A	±2%	100mV	70%
10062	S-100-5	5V, 0~20A	±2%	100mV	78%
10063	S-100-7.5	7.5V, 0~13.6A	±1%	100mV	80%
10064	S-100-10	10V, 0~10A	±1%	100mV	80%
10065	S-100-12	12V, 0~8.5A	±1%	100mV	81%
10066	S-100-15	15V, 0~6.7A	±1%	100mV	81%
10070	S-100-18	18V, 0~5.6A	±1%	100mV	82%
10067	S-100-24	24V, 0~4.5A	±1%	100mV	84%
10068	S-100-27	27V, 0~3.7A	±1%	100mV	84%
10077	S-100-36	36V, 0~2.7A	±1%	100mV	84%
10069	S-100-48	48V, 0~2.0A	±1%	100mV	84%

■ 145W S-145

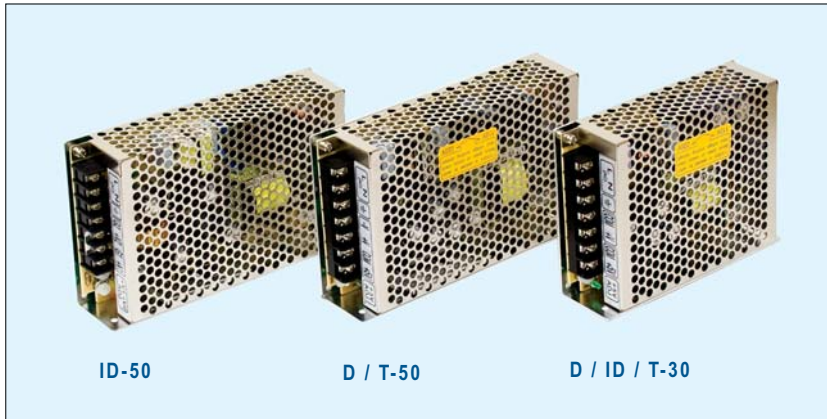
Stock No.	Model No.	Output	Tol.	R&N	Effi.
10711	S-145-5	5V, 0~25A	±2%	100mV	78.0%
10712	S-145-7.5	7.5V, 0~18A	±1%	120mV	80.5%
10713	S-145-12	12V, 0~12A	±1%	120mV	80.5%
10714	S-145-15	15V, 0~9.6A	±1%	120mV	81.0%
10715	S-145-24	24V, 0~6.0A	±1%	150mV	83.5%
10716	S-145-27	27V, 0~5.3A	±1%	200mV	85.0%
10717	S-145-48	48V, 0~3.0A	±1%	240mV	83.5%

■ 200W S-201

Stock No.	Model No.	Output	Tol.	R&N	Effi.
10411	S-201-5	5V, 0~40.0A	±2%	150mV	74%
10412	S-201-7.5	7.5V, 0~26.5A	±2%	150mV	79%
10413	S-201-12	12V, 0~16.5A	±1%	150mV	80%
10414	S-201-13.5	13.5V, 0~14.7A	±1%	150mV	80%
10415	S-201-15	15V, 0~13.0A	±1%	150mV	81%
10416	S-201-24	24V, 0~8.30A	±1%	150mV	83%
10417	S-201-27	27V, 0~7.40A	±1%	200mV	83%
10418	S-201-48	48V, 0~4.20A	±1%	240mV	84%

■ 350W S-350

Stock No.	Model No.	Output	Tol.	R&N	Effi.
10421	S-350-5	5V, 0~50.0A	±2%	150mV	73%
10422	S-350-7.5	7.5V, 0~40.0A	±2%	150mV	76%
10423	S-350-12	12V, 0~29.0A	±1%	150mV	74%
10424	S-350-13.5	13.5V, 0~25.8A	±1%	150mV	79%
10425	S-350-15	15V, 0~23.2A	±1%	150mV	78%
10426	S-350-24	24V, 0~14.6A	±1%	150mV	81%
10427	S-350-27	27V, 0~13.0A	±1%	200mV	82%
10429	S-350-36	36V, 0~9.70A	±1%	240mV	83%
10428	S-350-48	48V, 0~7.30A	±1%	240mV	83%



Features

- AC input range selectable by switch (D/ID/T-30, D/T-50)
- Universal AC input / Full range (ID-50)
- Protections: Short circuit / OLP (all models)
- Over voltage protection: ID-50
- Cooling by free air convection
- 100% full load burn-in test
- LED indicator for power on
- Low cost, high reliability
- 1 year warranty

General Specification (Please refer to www.meanwell.com for detail spec.)

Model No.	D/ID-30	T-30	D-50	ID-50	T-50
AC input voltage range	85~132VAC / 170~264VAC selectable by switch			85~264VAC; 120~370VDC	85~132VAC / 170~264VAC selectable by switch
AC inrush current (max.)	Cold start, 36A at 230VAC (T-50: 40A)				
DC adjustment range	CH1: -5~+10% rated output voltage (ID-50: 4.75~5.5V, 13.5V:12~15V, 27V: 24~30V)				
OLP	Range	105%~150%			
	Type	Fold back current limiting, auto-recovery		Hiccup mode, auto-recovery	Fold back current limiting, auto-recovery
Over voltage protection	ID-50: 125%~155%, hiccup mode, auto-recovery				
Withstand voltage	I/P - O/P: 1.5kVAC, I/P - FG: 1.5kVAC, 1 minute				
Working temperature	-10~+60°C (refer to output derating curve)				-10~+65°C
Safety standards	Design refer to UL1012				
EMC standards	Design refer to FCC part 15 J				
Connection	7P / 9.5mm pitch terminal block			7P / 8.25mm	8P / 8.25mm pitch terminal block
Dimension (L*W*H)(mm)	129x 98x 38	129x 98x 38	159x 97x 38	159x 97x 38	159x 97x 38
Case No.	903	903	901	901	901
Packing	30pcs/13.4kg	30pcs/13.6kg	24pcs/13.6kg	24pcs/13.8kg	24pcs/14.0kg

30W — Dual Output D-30

Stock No.	Model No.	Output	Tol.	R&N	Effi.	Max.
10161	D-30A	5V, 0.5~4.0A	±2%	50mV	72%	32W
		12V, 0.1~1.0A	±3%,-7%	100mV		
10162	D-30B	5V, 0.5~4.0A	±2%	50mV	74%	35W
		24V, 0.1~1.0A	±3%,-5%	100mV		
10163	ID-30B	Same Spec. as D-30B, 5V output is isolated from the 24V channel			72%	35W

30W — Triple Output T-30

Stock No.	Model No.	Output	Tol.	R&N	Effi.	Max.
10261	T-30A	5V, 0.5~3.0A	±2%	50mV	70%	30W
		12V, 0.1~1.0A	+2%,-6%	100mV		
		-5V, 0.1~0.5A	+2%,-10%	50mV		
10262	T-30B	5V, 0.5~3.0A	±2%	50mV	72%	33W
		12V, 0.1~1.0A	+2%,-6%	100mV		
		-12V, 0.1~0.5A	±6%	100mV		

50W — Dual Output D-50

Stock No.	Model No.	Output	Tol.	R&N	Effi.	Max.
10171	D-50A	5V, 1.0~6.0A	±2%	50mV	73%	54W
		12V, 0.3~2.0A	+5%,-8%	100mV		
10172	D-50B	5V, 1.0~6.0A	±2%	50mV	73%	54W
		24V, 0.2~1.0A	±8%	100mV		

50W — Isolated Dual Output ID-50

Stock No.	Model No.	Output	Tol.	R&N	Effi.	Max.
10231	ID-50A	5V, 0.5~6.0A	±1%	50mV	66%	40W
		5V, 0.0~2.0A	±2%	100mV		
10232	ID-50B	13.5V, 0.3~2.0A	±1%	100mV	70%	48W
		13.5V, 0.0~2.0A	±2%	150mV		
10233	ID-50C	27V, 0.2~1.0A	±1%	100mV	72%	48W
		27V, 0.0~1.0A	±2%	150mV		
10234	ID-50D	5V, 1.0~5.0A	±1%	50mV	68%	48W
		13.5V, 0.0~2.0A	±2%	150mV		

50W — Triple Output T-50

Stock No.	Model No.	Output	Tol.	R&N	Effi.	Max.
10281	T-50A	5V, 0.6~7.0A	±2%	100mV	66%	52W
		12V, 0.2~1.0A	±5%	100mV		
		-5V, 0.2~1.0A	±5%	100mV		
10282	T-50B	5V, 0.6~5.0A	±2%	100mV	69%	49W
		12V, 0.2~1.0A	±5%	100mV		
		-12V, 0.2~1.0A	±5%	100mV		
10283	T-50C	5V, 0.6~4.0A	±2%	100mV	71%	50W
		15V, 0.2~1.0A	±5%	100mV		
		-15V, 0.2~1.0A	±5%	100mV		
10284	T-50D	5V, 0.6~4.0A	±2%	50mV	72%	51W
		12V, 0.2~1.2A	±6%	120mV		
		24V, 0.2~1.2A	±6%	120mV		



To satisfy our customers is our goal —

- High Quality
- Low Cost
- Prompt Delivery
- Best Service



Features

- Universal AC input / Full range
- Built-in active PFC function, PF>0.93
- Protections: Short circuit / Overload / Over voltage / Over temp. (SP-150 / 200 / 240)
- Cooling by free air convection (SP-75 / 100 / 150)
- Forced air cooling by built-in DC fan (SP-200 / 240)
- Optional remote ON/OFF control (SP-75~200)
- Built-in fan speed control (SP-200)
- Built-in fan ON/OFF control (SP-240)
- 100% full load burn-in test
- 3 years warranty

General Specification (Please refer to www.meanwell.com for detail spec.)



Model No.	SP-75	SP-100	SP-150	SP-200	SP-240 Under Development
AC input voltage range	85~264VAC				88~264VAC
AC inrush current (max.)	Cold start, 30A at 230VAC		Cold start, 40A at 230VAC		
DC adjustment range	-5~+10% rated output voltage				±10% rated output voltage
OLP	Range	105%~150%			105%~135%
	Type	Constant current, auto-recovery			Hiccup mode, auto-recovery
OVP	Range	115%~135%	110%~135%		115%~120%
	Type	Shut off, AC recycle to re-start			
Withstand voltage	I/P - O/P: 3kVAC, I/P - FG: 1.5kVAC, O/P - FG: 0.5kVAC, 1 minute				
Working temperature	-10 ~ +60°C		-10 ~ +50°C	-10 ~ +60°C	-20 ~ +70°C
Safety standards	UL60950-1, TUV EN60950-1 approved				
EMC standards	EN55022 class B, EN61000-4-2,3,4,5,6,8,11, EN61000-3-2,3, ENV50204				
Connection	5P / 9.5mm pitch		7P / 9.5mm pitch terminal block with cover		
Dimension (L*W*H)(mm)	179x99x33	179x99x45	199x99x50	199x99x50	190x93x50
Case No.	920A	915A	916A	916B	987A
Packing	20pcs/12.0kg	20pcs/14.3kg	20pcs/16.4kg	20pcs/17.9kg	-----

75W SP-75

Stock No.	Model No.	Output	Tol.	R&N	Effi.
10371	SP-75-3.3	3.3V, 0~15A	±2%	80mV	68%
10372	SP-75-5	5V, 0~15A	±2%	80mV	72%
10373	SP-75-7.5	7.5V, 0~10A	±2%	80mV	74%
10374	SP-75-12	12V, 0~6.3A	±2%	80mV	77%
10375	SP-75-13.5	13.5V, 0~5.6A	±2%	80mV	78%
10376	SP-75-15	15V, 0~5.0A	±2%	80mV	79%
10377	SP-75-24	24V, 0~3.2A	±1%	100mV	80%
10378	SP-75-27	27V, 0~2.8A	±1%	100mV	80%
10379	SP-75-48	48V, 0~1.6A	±1%	100mV	80%

150W SP-150

Stock No.	Model No.	Output	Tol.	R&N	Effi.
10391	SP-150-3.3	3.3V, 0~30.0A	±2%	100mV	67%
10392	SP-150-5	5V, 0~30.0A	±2%	100mV	75%
10393	SP-150-7.5	7.5V, 0~20.0A	±2%	100mV	79%
10394	SP-150-12	12V, 0~12.5A	±2%	100mV	80%
10395	SP-150-13.5	13.5V, 0~11.2A	±2%	100mV	80%
10396	SP-150-15	15V, 0~10.0A	±2%	100mV	81%
10397	SP-150-24	24V, 0~6.30A	±1%	150mV	83%
10398	SP-150-27	27V, 0~5.60A	±1%	150mV	84%
10399	SP-150-48	48V, 0~3.20A	±1%	250mV	84%

100W SP-100

Stock No.	Model No.	Output	Tol.	R&N	Effi.
10381	SP-100-3.3	3.3V, 0~20.0A	±2%	100mV	70%
10382	SP-100-5	5V, 0~20.0A	±2%	100mV	76%
10383	SP-100-7.5	7.5V, 0~13.5A	±2%	100mV	78%
10384	SP-100-12	12V, 0~8.50A	±2%	100mV	80%
10385	SP-100-13.5	13.5V, 0~7.50A	±2%	100mV	80%
10386	SP-100-15	15V, 0~6.70A	±2%	100mV	82%
10387	SP-100-24	24V, 0~4.20A	±1%	150mV	84%
10388	SP-100-27	27V, 0~3.80A	±1%	150mV	83%
10389	SP-100-48	48V, 0~2.10A	±1%	250mV	82%

200W SP-200

Stock No.	Model No.	Output	Tol.	R&N	Effi.
10401	SP-200-3.3	3.3V, 0~40.0A	±2%	100mV	65%
10402	SP-200-5	5V, 0~40.0A	±2%	100mV	71%
10403	SP-200-7.5	7.5V, 0~26.7A	±2%	100mV	76%
10404	SP-200-12	12V, 0~16.7A	±2%	100mV	79%
10405	SP-200-13.5	13.5V, 0~14.9A	±2%	100mV	80%
10406	SP-200-15	15V, 0~13.4A	±2%	100mV	81%
10407	SP-200-24	24V, 0~8.40A	±1%	150mV	83%
10408	SP-200-27	27V, 0~7.50A	±1%	150mV	83%
10409	SP-200-48	48V, 0~4.20A	±1%	250mV	84%

240W **Under Development** SP-240

Stock No.	Model No.	Output	Tol.	R&N	Effi.
11071	SP-240-5	5V, 0~45A	±2%	150mV	79%
11072	SP-240-7.5	7.5V, 0~32A	±2%	150mV	83%
11073	SP-240-12	12V, 0~20A	±1%	150mV	86%
11074	SP-240-15	15V, 0~16A	±1%	150mV	86%
11075	SP-240-24	24V, 0~10A	±1%	150mV	87%
11076	SP-240-30	30V, 0~8.0A	±1%	180mV	87%
11077	SP-240-48	48V, 0~5.0A	±1%	240mV	89%

Customer Satisfaction —
 Today's effort, tomorrow's reward. Continuously improve CQTS to satisfy customer is our goal.



Features

- Universal AC input / Full range
- Built-in active PFC function, PF>0.95
- Protections: Short circuit / Overload / Over voltage / Over temperature
- Forced air cooling by built-in DC fan
- Built-in remote sense function and ON/OFF control (SP-480/500/750)
- Built-in fan speed control (SP-320)
- Built-in fan ON/OFF control (SP-500)
- With PG/PF signal output (SP-750)
- 100% full load burn-in test
- 3 years warranty

General Specification (Please refer to www.meanwell.com for detail spec.)

Model No.	SP-320	SP-480	SP-500	SP-750
AC input voltage range	88~264VAC	85~264VAC	88~264VAC	90~264VAC
AC inrush current (max.)	Cold start, 40A at 230VAC		Cold Start, 36A at 230VAC	Cold Start, 45A at 230VAC
DC adjustment range	±10% rated output voltage			
OLP	Range	105~135%	105~145%	105~135%
	Type	Hiccup mode, auto-recovery	Constant current limiting, auto-recovery	Fold back current limiting, auto-recovery
Over voltage protection	115~145%	115~140%		
Withstand voltage	I/P - O/P: 3kVAC, I/P - FG: 1.5kVAC, O/P - FG: 0.5kVAC, 1 minute			
Working temperature	-20~+65°C	-20~+60°C	-10~+50°C	-20~+60°C
Safety standards	UL60950-1, TUV EN65950-1 approved, GB4943 approved also for SP-320			
EMC standards	EN55022 class B, EN61000-4-2,3,4,5,6,8,11, EN61000-3-2,3, ENV50204, EN61000-6-2(SP-320 / 480 / 750), GB9254 (SP-320 only)			
Connection	9P / 9.5mm pitch terminal block with cover	9P / 11mm pitch terminal block with cover	7+8P / 9.5mm pitch terminal block with cover	5P / 10mm pitch terminal block with cover for input; copper pillars for output
Dimension (L*W*H)(mm)	215x115x50	278x127x43	170x120x93	278x127x63.5
Case No.	912G	929	910	919A
Packing	12pcs / 14.0kg	6pcs / 11.3kg	8pcs / 15.5kg	6pcs / 18.4kg

SP-320 Series



Stock No.	Model No.	Output	Tol.	R&N	Effi.
10679	SP-320-3.3	3.3V, 0~60.0A	±1%	150mV	74%
10671	SP-320-5	5V, 0~55.0A	±2%	150mV	79%
10670	SP-320-5PNC	5V, 0~55.0A	±2%	150mV	80%
10672	SP-320-7.5	7.5V, 0~40.0A	±2%	150mV	83%
10673	SP-320-12	12V, 0~25.0A	±1%	150mV	86%
10674	SP-320-13.5	13.5V, 0~22.0A	±1%	150mV	86%
10675	SP-320-15	15V, 0~20.0A	±1%	150mV	86%
10676	SP-320-24	24V, 0~13.0A	±1%	150mV	87%
10677	SP-320-27	27V, 0~11.7A	±1%	200mV	88%
10680	SP-320-36	36V, 0~8.80A	±1%	220mV	87%
10678	SP-320-48	48V, 0~6.70A	±1%	240mV	89%

※SP-320-5PNC with conformal coating and high ambient temperature operation ability is suitable for LED moving sign applications

SP-480 Series



Stock No.	Model No.	Output	Tol.	R&N	Effi.
10701	SP-480-3.3	3.3V, 0~85A	±2.0%	80mV	73%
10702	SP-480-5	5V, 0~85A	±2.0%	80mV	79%
10703	SP-480-12	12V, 0~43A	±1.5%	120mV	85%
10704	SP-480-15	15V, 0~35A	±1.5%	150mV	85%
10705	SP-480-24	24V, 0~22A	±1.0%	150mV	87%
10706	SP-480-48	48V, 0~11A	±1.0%	240mV	89%

SP-500 Series



Stock No.	Model No.	Output	Tol.	R&N	Effi.
10131	SP-500-12	12V, 0~40A	±1%	240mV	84.0%
10132	SP-500-13.5	13.5V, 0~36A	±1%	240mV	84.0%
10133	SP-500-15	15V, 0~32A	±1%	240mV	83.0%
10134	SP-500-24	24V, 0~20A	±1%	240mV	85.5%
10135	SP-500-27	27V, 0~18A	±1%	200mV	86.5%
10136	SP-500-48	48V, 0~10A	±1%	300mV	87.0%

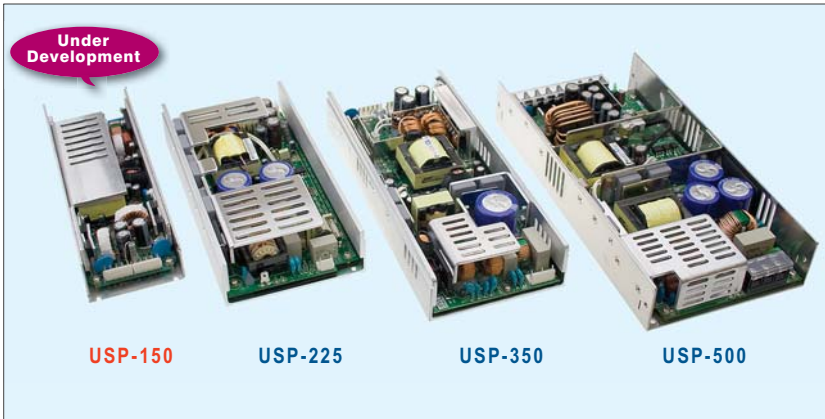
SP-750 Series



Stock No.	Model No.	Output	Tol.	R&N	Effi.
11201	SP-750-5	5V, 0~120A	±2%	120mV	81%
11202	SP-750-12	12V, 0~62.5A	±1%	120mV	85%
11203	SP-750-15	15V, 0~50.0A	±1%	120mV	87%
11204	SP-750-24	24V, 0~31.3A	±1%	120mV	89%
11205	SP-750-27	27V, 0~27.8A	±1%	120mV	89%
11206	SP-750-48	48V, 0~15.7A	±1%	120mV	90%



We are a TQM (Total Quality Management) company and ISO-9001 certified since 1994.



■ Features

- Universal AC input / Full range
- Built-in active PFC
- Protections: Short circuit / Overload / Over voltage / Over temperature
- Output wattage:
 - USP-150: 150W convection
 - USP-225: 150W convection, 225W with 18CFM forced air
 - USP-350: 300W convection, 350W with 23.5CFM forced air
 - USP-500: 400W convection, 500W with 23.5CFM forced air
- High power density: 5.5W/in³(USP-150); 4.7W/in³(USP-225); 6.32W/in³(USP-350); 6.2W/in³(USP-500)
- U-bracket low profile: 33mm(USP-150); 38mm(USP-225/300); 41mm(USP-500)
- Built-in remote ON/OFF control, remote sense, DC OK signal (USP-500)
- Optional current sharing(1+1) for 24&48V models(USP-500)
- 3 years warranty

■ General Specification (Please refer to www.meanwell.com for detail spec.)



Model No.	USP-150 Under Development	USP-225	USP-350	USP-500
AC input voltage range	90~280VAC, 127~396VDC	90~264VAC, 127~370VDC		
AC inrush current (max.)	22A at 115VAC, 44A at 230VAC	15A at 115VAC, 30A at 230VAC	22A at 115VAC, 44A at 230VAC	30A at 115VAC, 50A at 230VAC
DC adjustment range	-----	±10% rated output voltage		
OLP	Range	105%~130%	105%~150%	105%~130%
	Type	Constant current limiting, auto-recovery		
OVP	Range	110%~135%	110%~135%	110%~140%
	Type	Hiccup mode, auto-recovery	Shut off, AC recycle to re-start	Hiccup mode, auto-recovery
Withstand voltage	I/P - O/P: 4kVAC, I/P - FG: 1.5kVAC, O/P - FG: 0.5kVAC, 1 minute	I/P - O/P: 3kVAC, I/P - FG: 1.5kVAC, O/P - FG: 0.5kVAC, 1 minute		
Working temperature	-30~+70°C	-20~+65°C	-10~+65°C	-20~+70°C
Vibration	10~500Hz, 5G 10min./1cycle, 60min. each along X, Y, Z axes	10~500Hz, 2G 10min./1cycle, 60min. each along X, Y, Z axes		
Safety standards	UL60950-1, TUV EN60950-1 approved; UL1012, EN61347-2-13 (USP-150 only, pending)			
EMC standards	EN55022 class B, EN61000-3-2,3, EN61000-4-2,3,4,5,6,8,11, ENV50204; EN55015 and EN61547, EN61000-6-2 (USP-150 only)			
Connection	5+5P×2/3.9mm pitch, JSP: B5P/B5P×2-VH	20P/2.54mm pitch, Molex 39-29-9206	5+9P×2/3.96mm pitch, JST: B5P/B9P×2-VH	3+8P/8.5mm pitch terminal block with cover
Dimension (L*W*H)(mm)	200x 68x 33	202x 101.5x 38	235.2x 101.5x 38	254x 127x 41

■ 150W Under Development USP-150

Stock No.	Model No.	Output	Tol.	R&N	Effi.
10361	USP-150-3.3	3.3V, 0~30.0A	±2%	100mV	80%
10362	USP-150-5	5V, 0~26.0A	±2%	100mV	87%
10363	USP-150-12	12V, 0~12.5A	±2%	100mV	88%
10364	USP-150-15	15V, 0~10.0A	±2%	100mV	88%
10365	USP-150-24	24V, 0~6.30A	±2%	100mV	90%
10366	USP-150-36	36V, 0~4.20A	±2%	150mV	90%
10367	USP-150-48	48V, 0~3.20A	±2%	150mV	90%

■ 350W USP-350

Stock No.	Model No.	Output	Tol.	R&N	Effi.
11271	USP-350-3.3	3.3V, 0~70.0A	±2%	80mV	78%
11272	USP-350-5	5V, 0~70.0A	±2%	80mV	84%
11273	USP-350-12	12V, 0~29.2A	±2%	100mV	88%
11274	USP-350-15	15V, 0~23.4A	±2%	100mV	88%
11275	USP-350-24	24V, 0~14.6A	±2%	150mV	88%
11276	USP-350-48	48V, 0~7.30A	±2%	150mV	89%

■ 225W USP-225

Stock No.	Model No.	Output	Tol.	R&N	Effi.
10681	USP-225-3.3	3.3V, 0~40.0A	±2%	100mV	72%
10682	USP-225-5	5V, 0~40.0A	±2%	100mV	77%
10683	USP-225-12	12V, 0~18.7A	±2%	100mV	83%
10684	USP-225-15	15V, 0~15.0A	±2%	100mV	84%
10685	USP-225-24	24V, 0~9.40A	±2%	150mV	85%
10686	USP-225-48	48V, 0~4.70A	±2%	250mV	86%

■ 500W USP-500

Stock No.	Model No.	Output	Tol.	R&N	Effi.
10921	USP-500-5	5V, 0~80.0A	±2%	80mV	85%
10922	USP-500-12	12V, 0~42.0A	±2%	100mV	90%
10923	USP-500-15	15V, 0~33.5A	±2%	100mV	90%
10924	USP-500-24	24V, 0~21.0A	±2%	150mV	89%
10925	USP-500-48	48V, 0~10.5A	±2%	150mV	90%

100W Triple and Quad Output with PFC Function



CASE: 916A

199x 99x 50 mm

- Universal AC input / Full range
- PF>0.98@115VAC; >0.94@230VAC
- Protections: Short circuit / Overload / Over voltage
- Over temp. protection (option)
- Cooling by free air convection
- CH4 polarity can be reversed for QP-100-3X and QP-100D/F (option)
- 3 years warranty

AC input voltage range 90~264VAC; 127~370VDC
 AC inrush current Cold start, 40A at 230VAC
 DC adjustment range CH1: -5~+10% rated output voltage (CH1&2 for QP-100-3X and QP-100D/F)
 Overload protection 105~150% hiccup mode, auto-recovery
 Over voltage protection 115~135% for CH1 or CH1&2
 Withstand voltage I/P-O/P: 3kVAC, I/P-FG: 1.5kVAC, 1 minute
 Working temperature -10~60°C (refer to output derating curve)
 Safety standards UL60950-1, TUV EN60950-1 approved
 EMC standards EN55022 class B, EN61000-4-2,3,4,5,6,8,11, EN61000-3-2,3, ENV50204
 Connection 7.62mm pitch terminal block with cover
 Packing 0.83kg; 20pcs / 17.6kg / 1.28CUFT (TP-100) 0.87kg; 20pcs / 18.4kg / 1.28CUFT (QP-100)

◆ 100W — Triple Output

Stock No.	Model No.	Output	Tol.	R&N	Effi.	Max.
10581	TP-100A	5V, 3.0~15A	±3%	100mV	75%	101W
		12V, 0.4~5.0A	±7%	120mV		
		-5V, 0.0~1.0A	±6%	100mV		
10582	TP-100B	5V, 3.0~15A	±3%	100mV	78%	105W
		12V, 0.4~5.0A	±6%	120mV		
		-12V, 0.0~1.0A	±6%	100mV		
10583	TP-100C	5V, 3.0~15A	±3%	100mV	77%	104W
		15V, 0.4~4.0A	+10%, -6%	150mV		
		-15V, 0.0~1.0A	±6%	100mV		
10584	TP-100D	5V, 3.0~15A	±3%	100mV	78%	105W
		24V, 0.4~3.0A	±8%	150mV		
		12V, 0.0~1.0A	±6%	100mV		

◆ 100W — Quad Output

Stock No.	Model No.	Output	Tol.	R&N	Effi.	Max.
10607	QP-100B	5V, 2.0~10A	±3%	100mV	76%	101W
		12V, 0.3~4.0A	±6%	150mV		
		-12V, 0.15~1.0A	+10%, -6%	150mV		
		-5V, 0.0~1.0A	±5%	100mV		
10608	QP-100C	5V, 2.0~10A	±3%	100mV	77%	101W
		15V, 0.3~3.0A	+6%, -10%	150mV		
		-15V, 0.15~1.0A	±8%	150mV		
		-5V, 0.0~1.0A	±5%	100mV		
10601	QP-100D	5V, 2.0~10A	±3%	120mV	78%	100W
		12V, 0.0~3.0A	±3%	150mV		
		24V, 0.3~2.0A	±6%	200mV		
		-12V, 0.0~1.0A	±5%	150mV		
10602	QP-100F	5V, 2.0~10A	±3%	120mV	78%	103W
		15V, 0.0~3.0A	±3%	180mV		
		24V, 0.3~2.0A	±6%	200mV		
		-15V, 0.0~1.0A	±5%	150mV		
10603	QP-100-3A	5V, 2.0~10A	±3%	100mV	74%	99W
		3.3V, 0.0~10A	±3%	100mV		
		12V, 0.3~3.0A	±6%	150mV		
		-5V, 0.0~1.0A	±5%	150mV		
10604	QP-100-3B	5V, 2.0~10A	±3%	100mV	74%	100W
		3.3V, 0.0~10A	±3%	100mV		
		12V, 0.3~3.0A	±6%	150mV		
		-12V, 0.0~1.0A	±5%	150mV		
10605	QP-100-3C	5V, 2.0~10A	±3%	100mV	75%	101W
		3.3V, 0.0~10A	±3%	100mV		
		15V, 0.3~2.0A	+8%, -6%	150mV		
		-15V, 0.0~1.0A	±5%	150mV		
10606	QP-100-3D	5V, 2.0~10A	±3%	100mV	75%	105W
		3.3V, 0.0~10A	±3%	100mV		
		24V, 0.3~2.0A	±6%	150mV		
		-12V, 0.0~1.0A	±5%	150mV		

150W Triple and Quad Output with PFC Function



CASE: 916B

199x 99x 50 mm

- Universal AC input / Full range
- PF>0.98@115VAC; >0.94@230VAC
- Protections: Short circuit / Overload / Over voltage
- Over temp. protection (option)
- Forced air cooling by built-in DC fan
- CH4 polarity can be reversed for QP-150-3X and QP-150-D/F (option)
- 3 years warranty

AC input voltage range 90~264VAC; 127~370VDC
 AC inrush current Cold start, 40A at 230VAC
 DC adjustment range CH1: -5~+10% rated output voltage (CH1&2 for QP-150-3X and QP-150D/F)
 Overload protection 105~150% hiccup mode, auto-recovery
 Over voltage protection 115~135% for CH1 or CH1&2
 Withstand voltage I/P-O/P: 3kVAC, I/P-FG: 1.5kVAC, 1 minute
 Working temperature -10~60°C (refer to output derating curve)
 Safety standards UL60950-1, TUV EN60950-1 approved
 EMC standards EN55022 class B, EN61000-4-2,3,4,5,6,8,11, EN61000-3-2,3, ENV50204
 Connection 7.62mm pitch terminal block with cover
 Packing 0.90kg; 20pcs / 19.0kg / 1.28CUFT (TP-150) 0.93kg; 20pcs / 19.6kg / 1.28CUFT (QP-150)

◆ 150W — Triple Output

Stock No.	Model No.	Output	Tol.	R&N	Effi.	Max.
10591	TP-150A	5V, 2.0~20A	±3%	100mV	75%	150W
		12V, 0.4~7.0A	±8%	120mV		
		-5V, 0.0~1.0A	±6%	100mV		
10592	TP-150B	5V, 2.0~20A	±3%	100mV	77%	148W
		12V, 0.4~7.0A	±8%	120mV		
		-12V, 0.0~1.0A	±6%	100mV		
10593	TP-150C	5V, 2.0~20A	±3%	100mV	77%	152W
		15V, 0.4~6.0A	+10%, -6%	150mV		
		-15V, 0.0~1.0A	±6%	100mV		
10594	TP-150D	5V, 2.0~20A	±3%	100mV	78%	154W
		24V, 0.4~4.0A	±8%	150mV		
		12V, 0.0~1.0A	±6%	100mV		

◆ 150W — Quad Output

Stock No.	Model No.	Output	Tol.	R&N	Effi.	Max.
10617	QP-150B	5V, 3.0~15A	±3%	100mV	76%	150W
		12V, 0.4~5.0A	±6%	150mV		
		-12V, 0.3~2.0A	+10%, -6%	150mV		
		-5V, 0.0~1.0A	±5%	100mV		
10618	QP-150C	5V, 3.0~15A	±3%	100mV	77%	153W
		15V, 0.4~4.0A	+6%, -10%	150mV		
		-15V, 0.3~2.0A	±8%	150mV		
		-5V, 0.0~1.0A	±5%	100mV		
10611	QP-150D	5V, 3.0~15A	±3%	120mV	78%	150W
		12V, 0.0~5.0A	±3%	150mV		
		24V, 0.4~3.0A	±6%	200mV		
		-12V, 0.0~1.0A	±5%	150mV		
10612	QP-150F	5V, 3.0~15A	±3%	120mV	78%	152W
		15V, 0.0~5.0A	±3%	150mV		
		24V, 0.4~3.0A	±6%	200mV		
		-15V, 0.0~1.0A	±5%	150mV		
10613	QP-150-3A	5V, 3.0~15A	±3%	100mV	73%	146W
		3.3V, 0.0~15A	±3%	100mV		
		12V, 0.4~5.0A	±6%	150mV		
		-5V, 0.0~1.0A	±5%	150mV		
10614	QP-150-3B	5V, 3.0~15A	±3%	100mV	75%	150W
		3.3V, 0.0~15A	±3%	100mV		
		12V, 0.4~5.0A	±6%	150mV		
		-12V, 0.0~1.0A	±5%	150mV		
10615	QP-150-3C	5V, 3.0~15A	±3%	100mV	74%	152W
		3.3V, 0.0~15A	±3%	100mV		
		15V, 0.4~5.0A	+8%, -6%	150mV		
		-15V, 0.0~1.0A	±5%	150mV		
10616	QP-150-3D	5V, 3.0~15A	±3%	100mV	76%	150W
		3.3V, 0.0~15A	±3%	100mV		
		24V, 0.3~3.0A	±6%	150mV		
		-12V, 0.0~1.0A	±5%	150mV		

200W Quad Output with PFC Function



CASE: 912 215x 115x 50 mm

- Universal AC input / Full range
- PF>0.98@115VAC; >0.95@230VAC
- CH4 polarity can be reversed from "-" to "+" (option)
- CH1,2 can be adjusted from -5~+10%
- PG and PF signal output (option)
- Built-in remote sense for CH1,2
- Protections: Short circuit / Overload / Over voltage / Over temp.
- Forced air cooling by built-in DC fan
- 100% full load burn-in test
- 3 years warranty

AC input voltage range 90~264VAC; 127~370VDC
 AC inrush current Cold start, 30A at 230VAC
 DC adjustment range -5~+10% for CH1 and CH2 output
 Overload protection 105%~150% constant current, auto-recovery
 Over voltage protection ... 115%~135% rated output voltage for CH1 & CH2
 Setup, rise, hold up time . 800ms, 50ms, 24ms at full load and 230VAC
 Power good/fail signal 10ms / 1ms (option)
 Withstand voltage I/P-O/P: 3kVAC, I/P-FG:1.5kVAC, 1minute
 Working temperature -10°C~60°C (refer to output derating curve)
 Safety standardsUL60950-1, TUV EN60950-1 approved
 EMC standards EN55022 class B, EN61000-3-2,3, EN61000-4-2,3,4,5,6,8,11, ENV50204
 Connection9P/ 9.5mm pitch terminal block with cover
 Packing1.2kg ; 12pcs / 15.4kg / 0.92CUFT

Stock No.	Model No.	Output	Tol.	R&N	Effi.	Max.
10521	QP-200D	5V, 3.0~20A	±3%	100mV	75%	203W
		12V, 0.0~7.0A	±3%	150mV		
		24V, 0.4~6.0A	+10%,-6%	150mV		
		-12V, 0.0~1.0A	±6%	150mV		
10522	QP-200F	5V, 3.0~20A	±3%	100mV	75%	203W
		15V, 0.0~6.0A	±3%	150mV		
		24V, 0.4~6.0A	+10%,-6%	150mV		
		-15V, 0.0~1.0A	±6%	150mV		
10523	QP-200-3A	5V, 3.0~20A	±3%	100mV	72%	200W
		3.3V, 0.0~20A	±3%	100mV		
		12V, 0.5~8.0A	+8%,-10%	150mV		
		-5V, 0.0~1.0A	±6%	150mV		
10524	QP-200-3B	5V, 3.0~20A	±3%	100mV	72%	205W
		3.3V, 0.0~20A	±3%	100mV		
		12V, 0.5~8.0A	+8%,-10%	150mV		
		-12V, 0.0~1.0A	±6%	150mV		
10525	QP-200-3C	5V, 3.0~20A	±3%	100mV	72%	210W
		3.3V, 0.0~20A	±3%	100mV		
		15V, 0.5~7.0A	+10%,-6%	150mV		
		-15V, 0.0~1.0A	±6%	150mV		
10526	QP-200-3D	5V, 3.0~20A	±3%	100mV	74%	204W
		3.3V, 0.0~20A	±3%	100mV		
		24V, 0.4~6.0A	+10%,-6%	150mV		
		-12V, 0.0~1.0A	±6%	150mV		
10527	QP-200-3E	5V, 3.0~20A	±3%	100mV	74%	206W
		3.3V, 0.0~20A	±3%	100mV		
		24V, 0.4~6.0A	+10%,-6%	150mV		
		-15V, 0.0~1.0A	±6%	150mV		

375W Quad Output with PFC Function



CASE: 927 280x 127x 63.5 mm

- Universal AC input / Full range
- PF>0.98@115VAC; >0.95@230VAC
- CH3 and CH4 are isolated from other outputs and polarity can be reversed
- CH1,2,3,4 adjustable from -5~+10%
- All outputs are stable within ±1%
- No min. load requirement for CH 2,3,4
- Built-in power good and fail signal output
- Remote sense and ON/OFF control
- Protections: Short circuit / Overload / Over voltage / Over temp.
- Forced air cooling by built-in DC fan
- 100% full load burn-in test
- 3 years warranty

AC input voltage range 85~264VAC; 120~370VDC
 AC inrush current Cold start, 45A at 230VAC
 DC adjustment range All outputs -5%~+10% for QP-375-5 series, ±10% for QP-375-24 series
 Overload protection 105%~135% hiccup mode, auto-recovery
 Over voltage protection CH1: 115~135% rated output voltage
 Setup, rise, hold up time 800ms, 50ms, 36ms at full load and 230VAC
 Withstand voltage I/P-O/P: 3kVAC, I/P-FG:1.5kVAC, 1minute
 Working temperature -10°C~60°C (refer to output derating curve)
 Safety standardsUL60950-1, TUV EN60950-1 approved
 EMC standards EN55022 class B, EN61000-3-2,3, EN61000-4-2,3,4,5,6,8,11, ENV50204
 Connection 3P/ 9.5mm pitch terminal block for input
 10P/ 9.5mm pitch terminal block for output
 Packing 2.4kg ; 6pcs / 14.8kg / 1.45CUFT

Stock No.	Model No.	Output	Tol.	R&N	Effi.	Max.
10641	QP-375-5A	5V, 3.5~40A	±1%	100mV	77%	378W
		12V, 0.0~16A	±1%	150mV		
		±12V, 0.0~6.0A	±1%	150mV		
		±12V, 0.0~3.0A	±1%	50mV		
10642	QP-375-5B	5V, 3.5~40A	±1%	100mV	77%	357W
		12V, 0.0~16A	±1%	120mV		
		±12V, 0.0~6.0A	±1%	120mV		
		±5V, 0.0~3.0A	±1%	50mV		
10643	QP-375-5C	5V, 3.5~40A	±1%	100mV	77%	378W
		12V, 0.0~16A	±1%	150mV		
		±15V, 0.0~4.0A	±1%	150mV		
		±15V, 0.0~4.0A	±1%	240mV		
10644	QP-375-5D	5V, 3.5~40A	±1%	100mV	78%	378W
		12V, 0.0~16A	±1%	120mV		
		±12V, 0.0~6.0A	±1%	120mV		
		±24V, 0.0~3.0A	±1%	240mV		
10645	QP-375-5E	5V, 3.5~40A	±1%	100mV	78%	378W
		12V, 0.0~16A	±1%	120mV		
		±24V, 0.0~4.0A	±1%	120mV		
		±24V, 0.0~3.0A	±1%	240mV		
10646	QP-375-24B	24V, 1.0~10A	±1%	240mV	78%	386W
		5V, 0.0~16A	±1%	50mV		
		±12V, 0.0~4.0A	±1%	120mV		
		±12V, 0.0~4.0A	±1%	120mV		
10647	QP-375-24C	24V, 1.0~10A	±1%	240mV	80%	410W
		5V, 0.0~10A	±1%	50mV		
		±15V, 0.0~4.0A	±1%	150mV		
		±15V, 0.0~4.0A	±1%	150mV		

320W Quad Output with PFC Function



CASE: 912I 215x 115x 50 mm

- Universal AC input / Full range
- PF>0.98@115VAC; >0.95@230VAC
- 20A peak load capability for 24V channel
- CH1, 2 can be adjusted from -5~+10%
- PG and PF signal output
- Built-in remote sense for CH1,2
- Protections: Short circuit / Overload / Over voltage / Over temp.
- Forced air cooling by built-in DC fan
- 100% full load burn-in test
- 3 years warranty

AC input voltage range 90~264VAC; 127~370VDC
 DC adjustment range -5~+10% for CH1 and CH2 output
 Overload protection 105%~150% fold back current limiting, auto-recovery
 Over voltage protection ... 115%~135% rated output voltage for CH1 & CH2
 Withstand voltage I/P-O/P: 3kVAC, I/P-FG:1.5kVAC, 1minute
 Working temperature -10°C~50°C@100%, 70°C@40% load
 Safety standards UL60950-1, TUV EN60950-1 approved
 EMC standards EN55022 class B, EN61000-3-2,3, EN61000-4-2,3,4,5,6,8,11, ENV50204
 Connection 9P/ 9.5mm pitch terminal block with cover
 Packing 1.2kg ; 12pcs / 15.4kg / 0.92CUFT

Stock No.	Model No.	Output	Tol.	R&N	Effi.	Max.
11431	QP-320D	5V, 2.5~20A	±3%	100mV	83%	316W
		12V, 0.0~10A	±3%	150mV		
		24V, 0.2~5.0A	+10%, -6%	150mV		
		-12V, 0.2~2.0A	±10%	150mV		
11432	QP-320F	5V, 2.5~20A	±3%	100mV	83%	316W
		15V, 0.0~10A	±3%	150mV		
		24V, 0.2~5.0A	+10%, -6%	150mV		
		-15V, 0.2~1.6A	±10%	150mV		

75W Triple Output with PFC Function



CASE: 920A 179x 99x 33 mm

- Universal AC input / Full range
- PF>0.98@115VAC; >0.95@230VAC
- Thin profile (33mm thickness)
- Protections: Short circuit / Overload / Over voltage
- Cooling by free air convection
- Fixed switching frequency at 134kHz
- 3 years warranty

AC input voltage range 90~264VAC; 120~370VDC
 DC adjustment range CH1: -5~+10% rated output voltage
 Overload protection 105~150% hiccup mode, auto-recovery
 Over voltage protection CH1: 115~135% rated output voltage
 Withstand voltage I/P-O/P: 3kVAC, I/P-FG: 1.5kVAC, 1minute
 Working temperature -10°C~60°C (refer to output derating curve)
 Safety standards UL60950-1, TUV EN60950-1 approved
 EMC standards EN55022 class B, EN61000-3-2,3 EN61000-4-2,3,4,5,6,8,11, ENV50204
 Connection 8P/ 7.62mm pitch terminal block
 Packing 0.65kg ; 20pcs / 12.7kg / 0.64CUFT

Stock No.	Model No.	Output	Tol.	R&N	Effi.	Effi.
10511	TP-75A	5V, 1.5~10A	±3%	100mV	70%	74W
		12V, 0.2~4.0A	±4%	120mV		
		-5V, 0.0~0.6A	±8%	100mV		
10512	TP-75B	5V, 1.5~10A	±3%	100mV	70%	76W
		12V, 0.2~4.0A	±4%	120mV		
		-12V, 0.0~0.6A	±8%	120mV		
10513	TP-75C	5V, 1.5~10A	±3%	100mV	70%	75W
		15V, 0.2~3.0A	±4%	120mV		
		-15V, 0.0~0.6A	±8%	120mV		
10514	TP-75D	5V, 1.5~10A	±3%	100mV	70%	76W
		24V, 0.2~2.5A	±4%	120mV		
		12V, 0.0~0.6A	±8%	120mV		
10515	TP-7503	5V, 1.5~10A	±3%	100mV	70%	75W
		3.3V, 0.2~8.0A	±4%	50mV		
		12V, 0.0~0.6A	±8%	120mV		

Available by Request

150/300/600/1500W Single Output with PFC & Programmable Output Voltage Function

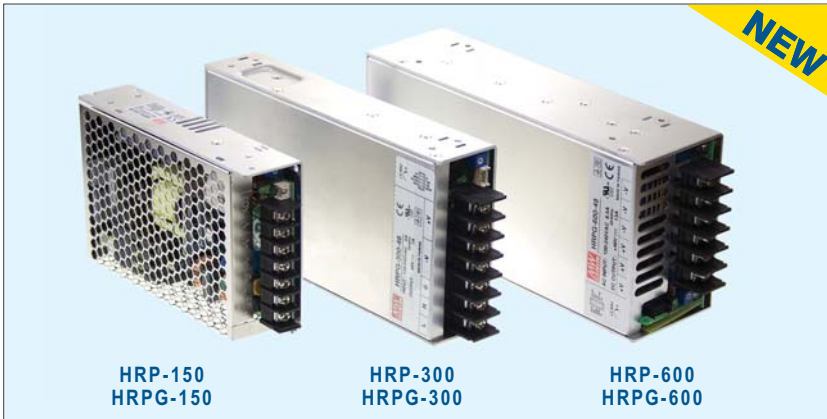
- Output voltage programmable from 20~120% by 1~6VDC external control signal
- Universal AC input / full range
- Remote ON/OFF control, remote sense
- DC OK signal output
- Protection: Short circuit / Overload / Over voltage / Over temperature
- DC output models: 12V / 24V / 48V
- Efficiency up to 90%
- Cooling by free air convection (150W only)
- Parallel operation function (600W / 1500W only)
- Dimension(LxWxH)(mm):
 - 150W – 215 x 115 x 50
 - 300W – 215 x 115 x 50
 - 600W – 170 x 120 x 93
 - 1500W – 278 x 127 x 83.5
- 3 years warranty

We are a TQM (Total Quality Management) company and ISO-9001 certified since 1994.

Who can provide you better services and be a trustworthy partner in the power industry? — "MEAN WELL" tries to be —

Products —
 • One Stop Shopping • Total Solution

Best products also need best service.
 We have authorized distributors all over the world. They have sufficient stock for your prompt delivery. Also they can offer you technical support & RMA services. Please contact your local distributors for more product information. You can also contact us at info@meanwell.com for information of your local distributors.



Features

- Universal AC input / Full range
- Withstand 300VAC surge input for 5 seconds
- Built-in active PFC function, PF>0.95
- Protections: Short circuit / Overload / Over voltage / Over temperature
- Built-in constant current limiting circuit
- Built-in remote sense function
- No load power consumption<0.5W (HRPG series)
- Built-in remote ON/OFF control & 5V/0.3A standby output (HRPG series)
- Built-in DC OK signal (HRPG-300/600)
- Built-in current sharing (HRPG-600-24/36/48)
- Cooling by free air convection (HRP□-150)
- Forced air cooling by built-in DC fan (HRP□-300 / 600)
- 1U low profile (HRP□-150 / 300)
- 100% full load burn-in test
- 5 years warranty

General Specification (Please refer to www.meanwell.com for detail spec.)



Model No.	HRP□-150	HRP□-300	HRP□-600
AC input voltage range	85~264VAC		
AC inrush current (max.)	Cold start, 65A at 230VAC	Cold start, 70A at 230VAC	
DC adjustment range	±15% rated output voltage		
OLP	Range	105~135%	
	Type	Constant current limiting, auto-recovery	
Over voltage protection	115~145%		
Withstand voltage	I/P - O/P: 3kVAC, I/P - FG: 1.5kVAC, O/P - FG: 0.5kVAC, 1 minute		
Working temperature	-30~+70°C (refer to output derating curve)		
Safety standards	UL60950-1, TUV EN60950-1 approved		
EMC standards	EN55022 class B, EN61000-4-2,3,4,5,6,8,11, EN61000-3-2,3, ENV50204, EN61000-6-2 heavy industry level		
Connection	7P / 9.5mm pitch terminal block with cover	7P / 11mm pitch terminal block with cover	3+6P / 10&11mm pitch terminal block with cover
Dimension (L*W*H)(mm)	159x97x38	199x105x41	218x105x63.5
Case No.	901I	980A	977A

150W HRP□-150

Stock No.	Model No.	Output	Tol.	R&N	Effi.
11861	HRP□-150-3.3	3.3V, 0~30A	±2.5%	80mV	80%
11862	HRP□-150-5	5V, 0~26A	±2.5%	80mV	85%
11863	HRP□-150-7.5	7.5V, 0~20A	±2.5%	100mV	87%
11864	HRP□-150-12	12V, 0~13A	±1.5%	120mV	88%
11865	HRP□-150-15	15V, 0~10A	±1.5%	150mV	88%
11866	HRP□-150-24	24V, 0~6.5A	±1.5%	150mV	88%
11867	HRP□-150-36	36V, 0~4.3A	±1.5%	200mV	89%
11868	HRP□-150-48	48V, 0~3.3A	±1.5%	240mV	89%

□=blank, G; blank: basic function, G: with 5Vsb & no load <0.5W

600W HRP□-600

Stock No.	Model No.	Output	Tol.	R&N	Effi.
11941	HRP□-600-3.3	3.3V, 0~120A	±2%	80mV	81%
11942	HRP□-600-5	5V, 0~120A	±2%	80mV	86%
11943	HRP□-600-7.5	7.5V, 0~80A	±2%	80mV	87%
11944	HRP□-600-12	12V, 0~53A	±1%	120mV	89%
11945	HRP□-600-15	15V, 0~43A	±1%	150mV	89%
11946	HRP□-600-24	24V, 0~27A	±1%	150mV	88%
11947	HRP□-600-36	36V, 0~17.5A	±1%	200mV	88%
11948	HRP□-600-48	48V, 0~13A	±1%	240mV	89%

□=blank, G; blank: basic function, G: with 5Vsb & no load <0.5W

300W HRP□-300

Stock No.	Model No.	Output	Tol.	R&N	Effi.
11901	HRP□-300-3.3	3.3V, 0~60A	±2%	80mV	84%
11902	HRP□-300-5	5V, 0~60A	±2%	80mV	86%
11903	HRP□-300-7.5	7.5V, 0~40A	±2%	100mV	87%
11904	HRP□-300-12	12V, 0~27A	±1%	120mV	89%
11905	HRP□-300-15	15V, 0~22A	±1%	150mV	89%
11906	HRP□-300-24	24V, 0~14A	±1%	150mV	88%
11907	HRP□-300-36	36V, 0~9A	±1%	200mV	88%
11908	HRP□-300-48	48V, 0~7A	±1%	240mV	89%

□=blank, G; blank: basic function, G: with 5Vsb & no load <0.5W

Under Development

HRPG-75/100/200/450 Series

75W/100W/200W/450W
High Reliability
Single Output

Please refer to Page 85 for details



Features

- Universal AC input / Full range
- Installed on DIN rail TS35 / 7.5 or 15
- Protections: Short circuit / Overload / Over voltage
- No load power consumption <0.75W (<1W for MDR-100)
- LED indicator for power on
- NEC class 2 / LPS compliant (selected models)
- Built-in active PFC and over temp. protection (MDR-100)
- DC OK signal output (MDR-10/20)
- DC OK relay contact (MDR-40/60/100)
- Cooling by free air convection
- 100% full load burn-in test
- 3 years warranty

General Specification (Please refer to www.meanwell.com for detail spec.)

Model No.	MDR-10	MDR-20	MDR-40	MDR-60	MDR-100
AC input voltage range	85~264VAC; 120~370VDC				
AC inrush current	Cold start, 35A at 115VAC, 70A at 230VAC	Cold start, 20A at 115VAC, 40A at 230VAC	Cold start, 30A at 115VAC, 60A at 230VAC		
DC adjustment range	Fixed	±10% rated output voltage	0 ~ +20% rated output voltage		
Overload protection	>105% hiccup mode, auto-recovery	105%~160% constant current limiting, auto-recovery	105%~150% constant current limiting, auto-recovery		
Over voltage protection	115%~135% rated output voltage		125%~150% rated output voltage		
Setup, rise, hold up time	500ms, 30ms, 50ms at full load and 230VAC				3000ms, 50ms, 50ms
Withstand voltage	I/P-O/P:3kVAC, I/P-FG:1.5kVAC, 1minute				
Working temperature	-20~+70°C (refer to output derating curve)				-10~+60°C
DC OK signal	Open collector	Open collector	Relay contact		
Safety standards	UL508, TUV EN60950-1, UL60950-1(MDR-40/60) approved, NEC class 2 compliant (MDR-10/20, MDR-40-12/24/48, MDR-60-12/24/48, MDR-100-24/48)				
EMC standards	EN55022 class B, EN61000-3-2,-3, ENV50204, EN61000-4-2,3,4,5,6,8,11, EN61204-3, EN61000-6-2 heavy industry level (MDR-40/60/100)				
Connection	I/P: 3 poles, O/P: 3 poles screw DIN terminal		IP: 3 poles, O/P: 6 poles screw DIN terminal		
Dimension (W*H*D)(mm)	22.5x 90x 100		40x 90x 100		55x 90x 100
Packing	72pcs / 13.2kg	72pcs / 14.7kg	42pcs / 13.6kg	42pcs / 14.8kg	30pcs / 13.6kg

MDR-10 Series



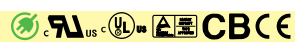
Stock No.	Model No.	Output	Tol.	R&N	Effi.
11181	MDR-10-5	5V, 0~2.0A	±5%	80mV	77%
11182	MDR-10-12	12V, 0~0.84A	±3%	120mV	81%
11183	MDR-10-15	15V, 0~0.67A	±3%	120mV	81%
11184	MDR-10-24	24V, 0~0.42A	±2%	150mV	84%

MDR-20 Series



Stock No.	Model No.	Output	Tol.	R&N	Effi.
11131	MDR-20-5	5V, 0~3.0A	±2%	80mV	76%
11132	MDR-20-12	12V, 0~1.67A	±1%	120mV	80%
11133	MDR-20-15	15V, 0~1.34A	±1%	120mV	81%
11134	MDR-20-24	24V, 0~1.00A	±1%	150mV	84%

MDR-40 Series



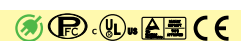
Stock No.	Model No.	Output	Tol.	R&N	Effi.
11141	MDR-40-5	5V, 0~6.00A	±2%	80mV	78%
11142	MDR-40-12	12V, 0~3.33A	±1%	120mV	86%
11143	MDR-40-24	24V, 0~1.70A	±1%	150mV	88%
11144	MDR-40-48	48V, 0~0.83A	±1%	200mV	88%

MDR-60 Series



Stock No.	Model No.	Output	Tol.	R&N	Effi.
11151	MDR-60-5	5V, 0~10.0A	±2%	80mV	78%
11152	MDR-60-12	12V, 0~5.00A	±1%	120mV	86%
11153	MDR-60-24	24V, 0~2.50A	±1%	150mV	88%
11154	MDR-60-48	48V, 0~1.25A	±1%	200mV	87%

MDR-100 Series



Stock No.	Model No.	Output	Tol.	R&N	Effi.
11171	MDR-100-12	12V, 0~7.5A	±1%	120mV	85%
11172	MDR-100-24	24V, 0~4.0A	±1%	150mV	86%
11173	MDR-100-48	48V, 0~2.0A	±1%	200mV	88%



Energy Saving —

We care about energy saving. This logo represents that this model has "low no load power consumption"!



To satisfy our customers is our goal —

- High Quality
- Low Cost
- Prompt Delivery
- Best Service



Features

- Isolation Class II
- Universal AC input / Full range
- Protections: Short circuit / Overload / Over voltage
- Over temperature protection (DR-100)
- No load power consumption < 1W (DR-100)
- No load power consumption < 0.5W (DR-15)
- Installed on DIN rail TS35 / 7.5 or 15
- Cooling by free air convection
- LED indicator for power on
- 100% full load burn-in test
- 3 years warranty
- Suitable for building automation and control of household appliance

General Specification (Please refer to www.meanwell.com for detail spec.)



Model No.	DR-15	DR-30	DR-60	DR-100
AC input voltage range	85~264VAC, 120~370VDC		88~264VAC, 124~370VDC	
AC inrush current (max.)	Cold start, 65A at 230VAC	Cold start, 30A at 230VAC	Cold start, 36A at 230VAC	Cold start, 45A at 230VAC
DC adjustment range	±10% rated output voltage			12V: 12~15V, 15V: 15~18V, 24V: 24~29V
Overload Protection	Range: 105%~160%	Type: constant current limiting, auto-recovery		Range: 105%~135%
Over Voltage Protection	Range: 115%~135% rated output voltage	Type: Shut off, clamp by zener diode		Range: 125%~155% rated output voltage
Withstand voltage	I/P-O/P: 3kVAC			
Working temperature	-20°C~+60°C (refer to output load derating curve)			
Vibration	10~500Hz, 2G 10 min./1 cycle, period for 60 min. each along X, Y, Z axes			
Safety standards	UL60950-1, TUV60950-1 approved			
EMC standards	EN55022 class B, EN61000-3-2,3, EN61000-6-2, EN61000-4-2,3,4,5,6,8,11, ENV50204, EN61204-3			
Connection	I/P and O/P: 2 poles screw DIN terminal	I/P: 2 poles, O/P: 4 poles screw DIN terminal		
Dimension (WxHxD)(mm)	25x 93x 56	78x 93x 56	78x 93x 56	100x 93x 56
Case No.	985A	918B	918B	970A
Packing	140pcs / 15.0kg	48pcs / 14.0kg	48pcs / 15.4kg	36pcs / 13.6kg

15W DR-15

Stock No.	Model No.	Output	Tol.	R&N	Effi.
11191	DR-15-5	5V, 0~2.40A	±2%	80mV	79%
11192	DR-15-12	12V, 0~1.25A	±1%	120mV	84%
11193	DR-15-15	15V, 0~1.00A	±1%	120mV	84%
11194	DR-15-24	24V, 0~0.63A	±1%	150mV	85%

60W DR-60

Stock No.	Model No.	Output	Tol.	R&N	Effi.
11251	DR-60-5	5V, 0~6.5A	±2%	80mV	76%
11252	DR-60-12	12V, 0~4.5A	±1%	120mV	82%
11253	DR-60-15	15V, 0~4.0A	±1%	120mV	83%
11254	DR-60-24	24V, 0~2.5A	±1%	150mV	84%

30W DR-30

Stock No.	Model No.	Output	Tol.	R&N	Effi.
11241	DR-30-5	5V, 0~3.0A	±2%	80mV	74%
11242	DR-30-12	12V, 0~2.0A	±1%	120mV	81%
11243	DR-30-15	15V, 0~2.0A	±1%	120mV	82%
11244	DR-30-24	24V, 0~1.5A	±1%	150mV	83%

100W DR-100

Stock No.	Model No.	Output	Tol.	R&N	Effi.
11161	DR-100-12	12V, 0~7.5A	±2%	120mV	87%
11162	DR-100-15	15V, 0~6.5A	±1%	120mV	87%
11163	DR-100-24	24V, 0~4.2A	±1%	150mV	89%



We provide specification, drawing, test report and more information, please visit our website —

<http://www.meanwell.com>



Energy Saving —

We care about energy saving. This logo represents that this model has "low no load power consumption"!



Features

- Universal AC input / Full range (DR-45/75, DRP-240)
AC input selectable by switch (DR-120, DRP-480S);
AC input 180~264V only (DRP-480)
- Built-in active PFC function, PF>0.95(DRP-240)
- Built-in passive PFC function compliance to EN61000-3-2 (480W models)
- Protections: Short circuit / Overload /
Over voltage / Over temperature
- Cooling by free air convection
- Can be installed on DIN rail TS35 / 7.5 or 15
- UL508 (industrial control equipment) listed
- 100% full load burn-in test
- LED indicator for power on
- 3 years warranty

General Specification (Please refer to www.meanwell.com for detail spec.)

Model No.	DR-45	DR-75	DR-120	DRP-240	DRP-480	DRP-480S
AC input voltage range	85~264VAC(DR-45/75, DRP-240); 90~132/180~264VAC selectable by switch (DR-120, DRP-480S); 180~264VAC only (DRP-480)					
AC inrush current (230VAC)	56A	Cold start, 40A at 230VAC		45A	40A	45A
DC adjustment range	±10%					
Overload protection	105%~150% constant current limiting, auto-recovery					
OVP	Range	115%~142% rated output voltage			30~36V for 24V model, 54~60V for 48V model	
	Type	Shut off, AC recycle to re-start				
Over temp. protection	Shut down output voltage, recovers automatically after temperature goes down					
Withstand voltage	I/P-O/P: 3kVAC, I/P-FG: 1.5kVAC, O/P-FG: 0.5kVAC, 1 minute					
Working temperature	-10°C~+50°C	-10°C~+60°C		-10°C~+70°C	-20°C~+70°C	
Safety standards	UL508, TUV EN60950-1 approved (UL60950-1 also for DR-120, DRP-240, DRP-480, DRP-480S)					
EMC standards	EN55022 class B, EN61000-3-2,3, ENV50204, EN61000-4-2,3,4,5,6,8,11, EN61000-6-2 heavy industry level					
Connection	I/P: 3 poles, O/P: 4 poles screw DIN terminal					
Dimension (W*H*D)(mm)	78x 93x 67	55.5x 125.2x 100	65.5x 125.2x 100	125.5x 125.2x 100	227x 125.2x 100	
Case No.	918A	923	921A	922A	930	
Packing	48pcs / 16.1kg	20pcs / 13.0kg	20pcs / 16.5kg	12pcs / 15.5kg	6pcs / 15.0kg	6pcs / 16.6kg

DR-45 Series



Stock No.	Model No.	Output	Tol.	R&N	Effi.
10441	DR-4505	5V, 0~5.0A	±2%	100mV	72%
10442	DR-4512	12V, 0~3.5A	±1%	200mV	77%
10443	DR-4515	15V, 0~2.8A	±1%	240mV	77%
10444	DR-4524	24V, 0~2.0A	±1%	480mV	80%

DR-75 Series



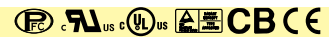
Stock No.	Model No.	Output	Tol.	R&N	Effi.
10531	DR-75-12	12V, 0~6.3A	±2%	100mV	76%
10532	DR-75-24	24V, 0~3.2A	±1%	150mV	80%
10533	DR-75-48	48V, 0~1.6A	±1%	240mV	81%

DR-120 Series



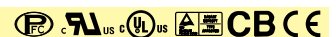
Stock No.	Model No.	Output	Tol.	R&N	Effi.
10541	DR-120-12	12V, 0~10A	±2%	80mV	80%
10542	DR-120-24	24V, 0~5.0A	±1%	80mV	84%
10543	DR-120-48	48V, 0~2.5A	±1%	100mV	85%

DRP-240 Series



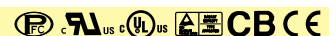
Stock No.	Model No.	Output	Tol.	R&N	Effi.
10551	DRP-240-24	24V, 0~10A	±1%	80mV	84%
10552	DRP-240-48	48V, 0~5.0A	±1%	150mV	85%

DRP-480 Series



Stock No.	Model No.	Output	Tol.	R&N	Effi.
10693	DRP-480-24	24V, 0~20A	±1%	120mV	89%
10694	DRP-480-48	48V, 0~10A	±1%	120mV	89%

DRP-480S Series



Stock No.	Model No.	Output	Tol.	R&N	Effi.
10931	DRP-480S-24	24V, 0~20A	±1%	120mV	89%
10932	DRP-480S-48	48V, 0~10A	±1%	120mV	89%



Customer Satisfaction —

Today's effort, tomorrow's reward. Continuously improve CQTS to satisfy customer is our goal.



To satisfy our customers is our goal —

- High Quality
- Low Cost
- Prompt Delivery
- Best Service



We provide specification, drawing, test report and more information, please visit our website —

<http://www.meanwell.com>



Features

- Input 340~550VAC, 3-phase 4 wires (single phase for DRH-120)
- Protections: Short circuit / Overload / Over voltage / Over temperature
- Built-in constant current limiting circuit
- Cooling by free air convection
- Can be installed on DIN rail TS35 / 7.5 or 15
- UL508 (industrial control equipment) listed (240~960W)
- EN61000-6-2 industrial immunity level
- Optional parallel function (1+1) (960W only)
- 100% full load burn-in test
- LED indicator for power on
- 3 years warranty

General Specification (Please refer to www.meanwell.com for detail spec.)

Model No.	DRH-120	DRT-240	DRT-480	DRT-960
AC input voltage range	340~550VAC, single phase	340~550VAC, 3-phase 4 wires (dual-phase operation possible)		
AC inrush current (max.)	Cold start, 50A at 400VAC			
DC adjustment range	24V: 24~28V, 48V: 48~55V			
OLP	Range	105%~160%	105%~150%	105~125%
	Type	Constant current limiting, auto recovery		
OVP	Range	24V: 30~36V, 48V: 59~66V		
	Type	Shut off, AC recycle to re-start		
Over temperature protection	Shut down output voltage, recovers automatically after temperature goes down			
Withstand voltage	I/P - O/P: 3kVAC, I/P - FG: 1.5kVAC, O/P - FG: 0.5kVAC, 1 minute			
Working temperature	-20~+60°C	-20~+70°C		-20~+60°C
Safety standards	UL60950-1 approved	UL508, UL60950-1, TUV EN60950-1 approved		
EMC standards	EN55022 class B, EN61000-3-2,3, ENV50204, EN61000-4-2,3,4,5,6,8,11, EN61204-3, EN61000-6-2 heavy industry level			
Connection (screw DIN terminal)	I/P: 3 poles, O/P: 4 poles	I/P: 4 poles, O/P: 4 poles		I/P: 4 poles, O/P: 6 poles
Dimension (W*H*D)(mm)	65.5x 125.2x 100	125.5x 125.2x 100	227x 125.2x 100	276x 125.2x 100
Case No.	921	922A	930A	934
Packing	20pcs / 16.0kg	12pcs / 16.6kg	6pcs / 16.0kg	4pcs / 14.2kg

DRH-120 (Single Phase)



Stock No.	Model No.	Output	Tol.	R&N	Effi.
11261	DRH-120-24	24V, 0~5.0A	±1%	80mV	85%
11262	DRH-120-48	48V, 0~2.5A	±1%	80mV	86%

DRT-480 (Three Phase)



Stock No.	Model No.	Output	Tol.	R&N	Effi.
10951	DRT-480-24	24V, 0~20A	±1%	80mV	89%
10952	DRT-480-48	48V, 0~10A	±1%	80mV	90%

DRT-240 (Three Phase)



Stock No.	Model No.	Output	Tol.	R&N	Effi.
10941	DRT-240-24	24V, 0~10A	±1%	80mV	89%
10942	DRT-240-48	48V, 0~5.0A	±1%	80mV	89%

DRT-960 (Three Phase)



Stock No.	Model No.	Output	Tol.	R&N	Effi.
11221	DRT-960-24	24V, 0~40A	±1%	80mV	91%
11222	DRT-960-48	48V, 0~20A	±1%	80mV	92%



We are a TQM (Total Quality Management) company and ISO-9001 certified since 1994.



Best products also need best service.

We have authorized distributors all over the world. They have sufficient stock for your prompt delivery. Also they can offer you technical support & RMA services. Please contact your local distributors for more product information. You can also contact us at info@meanwell.com for information of your local distributors.



Products —

- One Stop Shopping
- Total Solution



Who can provide you better services and be a trustworthy partner in the power industry?

— "MEAN WELL" tries to be —



48hrs delivery—

We keep enough stock for 95% of standard models at our 2400m² warehouse. We can arrange prompt delivery within 48hrs.



■ Features

- High efficiency up to 94%
- Universal AC input / Full range
- Built-in PFC function, PF>0.92
- Protections: Short circuit / Overload / Over voltage / Over temperature
- Cooling by free air convection
- Can be installed on DIN rail TS-35/7.5 or 15
- UL508(industrial control equipment) listed
- EN61000-6-2(EN50082-2) industrial immunity level
- Built-in DC OK relay contact
- 150% peak load capability
- Comply with GL and SEMI F47
- 3 years warranty

■ General Specification (Please refer to www.meanwell.com for detail spec.)



Model No.	SDR-240	SDR-480
AC input voltage range	88~264VAC; 124~370VDC	90~264VAC; 127~370VDC
AC inrush current (max.)	Cold start, 33A at 115VAC, 65A at 230VAC	Cold start, 40A at 115VAC, 80A at 230VAC
DC adjustment range	24V: 24~28V, 48V: 48~55V	
Overload protection	Normally works within 110 ~ 150% rated output power for 3 seconds and then shut down output voltage with auto-recovery >150% rated power or short circuit, constant current limiting with auto-recovery within 2 seconds and may cause to shut down if over 2 seconds	
OVP	Range	29~33V for 24V model, 56~65V for 48V model
	Type	Protection type : Shut down o/p voltage with auto-recovery
OTP	Range	95°C±5°C (TSW : detect on heatsink of power switch) 105°C±5°C (TSW : detect on heatsink of power switch)
	Type	Shut down output voltage, recovers automatically after temperature goes down
Withstand voltage	I/P-O/P:3kVAC I/P-FG:1.5kVAC O/P-FG:0.5kVAC O/P-DC OK:0.5kVAC	
Working temperature	-25 ~ +70°C (Refer to output derating curve)	
Safety standards	UL508, TUV EN60950-1, GL approved (GL pending for SDR-480)	
EMC standards	Compliance to EN55022 Class B, EN61000-4-2,3,4,5,6,8,11, ENV50204, EN61000-6-2 (EN50082-2), EN61204-3, heavy industry level, SEMI F47, GL	
Connection	I/P: 3 poles, O/P: 6 poles screw DIN terminal	I/P: 3 poles, O/P: 8 poles screw DIN terminal
Dimension (W*H*D)(mm)	63x 125.2x 113.5	85.5x 125.2x 128.5

240W SDR-240						480W SDR-480					
Stock No.	Model No.	Output	Tol.	R&N	Effi.	Stock No.	Model No.	Output	Tol.	R&N	Effi.
11681	SDR-240-24	24V, 10A	±1.0%	100mV	94%.	11691	SDR-480-24	24V, 20A	±1.0%	100mV	94%.
11682	SDR-240-48	48V, 5A	±1.0%	120mV	94%.	11692	SDR-480-48	48V, 10A	±1.0%	120mV	94%.

► Feature Description

SDR family is our new slim DIN rail product series targeting at the growing demand of high performance DIN rail power supply in the market. Featuring up to 94% of extreme high efficiency, they can provide 240W or 480W continuously and 150% peak power for 3 seconds up to 60°C by only free air convection. The slim design of 63mm(SDR-240) / 85.5mm(SDR-480) in width helps save the precious space on the rail and also makes it 43% and 51.6% smaller in size compare to its predecessor model. To fulfill the requirements of marine and semi-conductor related usage, the SDR family complies with GL and SEMI F47 norms in addition to UL, CUL, TUV, and CE certificates. 240W & 480W models are available now, and the 120W model is coming soon!



To satisfy our customers is our goal —

- High Quality
- Low Cost
- Prompt Delivery
- Best Service



Who can provide you better services and be a trustworthy partner in the power industry?

— "MEAN WELL" tries to be —

20A Power Supply Redundant Module



- Suitable for redundant operation of 24V system
- Installed on DIN rail TS35 / 7.5 or 15
- Relay contact signal output and LED indicator for input failure alarm
- Cooling by free air convection
- 3 years warranty

DC input voltage range 21~28V, 20A max. x 2 channels
 Reverse voltage 30V
 DC output current 20A max.
 DC output voltage drop 0.5V max.
 Input voltage alarm When input is > 20V(±5%) or <30V(±5%),
 relay contacts
 Relay contact rating 30VDC, 1A
 Working temperature -20~+70°C
 EMC standards EN55022 class B, EN61000-4-2,3,4,5,6,8,
 ENV50204
 Connection I/P: 4 poles, O/P: 2 poles screw DIN terminal,
 Single output: 4 poles
 Packing 0.5Kg ; 20pcs / 11Kg / 1.29CUFT

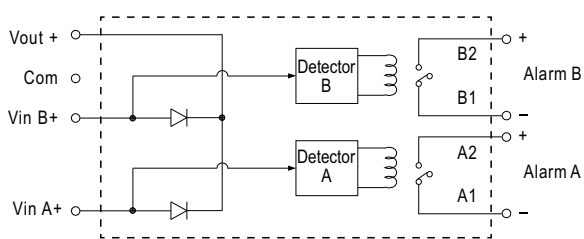
Stock No.	Model No.	Output	Reverse Voltage	Current
11531	DR-RDN20	24V, 20A	30V max.	20A max.

► Feature Description

DR-RDN-20 is a 20A redundancy (decoupling) module for the 24Vdc power system. Containing 2 sets of 20A Or-ing diodes with wonderful heat dissipation deployment, DR-RDN20 offers a safe option of 1+1 redundant set-up. Not only perfectly decouple power sources from each other as well as from the load, DR-RDN-20 also provides users monitoring signals for both input channels through the built-in relays.

DR-UPS40 is a 40A max. DC UPS (battery control) module for the 24Vdc power system. Accompany with external batteries, it can back-up up to 40A of current to critical loads for certain period of time depending on the capacity of batteries. With complete monitoring signals / LED indicators for DC BUS OK, Battery Fail, Battery Discharge, and the repeated Battery Test function to check the situation of external batteries, users can customize their own DC UPS system to back up critical loads and capture the status of the whole system easily.

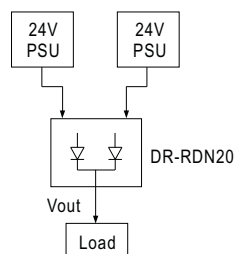
Block Diagram



Example of Application

1+1 Redundancy :

Using 1 more PSU as the redundant unit



40A DC UPS Module

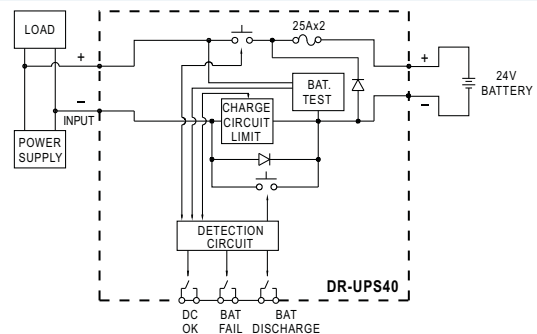


- Battery controller for DIN rail UPS system
- Parallel connected to DC BUS
- Suitable for 24V system up to 40A
- Installed on DIN Rail TS35 / 7.5 or 15
- Built-in battery test function
- Battery polarity protection
- Relay contact signal output and LED indicator for DC BUS OK, Battery Fail, and Battery Discharge
- Cooling by free air convection
- 3 years warranty

DC input / DC bus 24~29V, 40A max.
 Battery input voltage 21~29V
 Battery input Current 0~40A
 Charge current (typ.) 2A
 External battery (typ.) 24V, 4AH / 7AH / 12AH
 DC bus ok Relay status : Short when DC voltage between
 21~29V(±3%), relay contacts
 LED(Green) : DC bus OK : light;
 DC bus fail : dark
 Battery fail Relay status : Short when battery failure is
 observed through the battery
 test function, relay contacts
 LED(Red) : Battery over-discharge warning or
 battery broken: light;
 Battery OK: dark
 Battery discharge Relay status : Short when battery in discharge
 condition, relay contacts
 LED(Yellow) : Battery discharging: light;
 Battery is not discharging or
 discharging current <2A: dark
 Working temperature -20~+70°C
 EMC standards EN55022 class B, EN61000-4-2,3,4,5,6,8,
 ENV50204
 Connection I/P: 2 poles, O/P: 2 poles screw DIN terminal,
 Single output: 6 poles
 Packing 0.55Kg ; 20pcs / 12Kg / 1.29CUFT

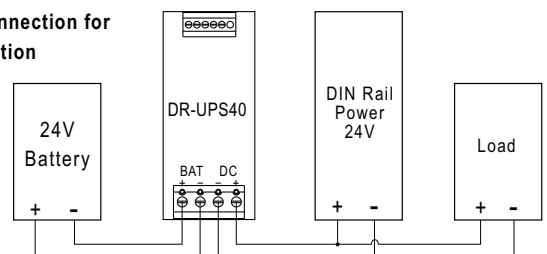
Stock No.	Model No.	DC BUS Voltage	DC BUS Current
11541	DR-UPS40	24~29V	40A max.

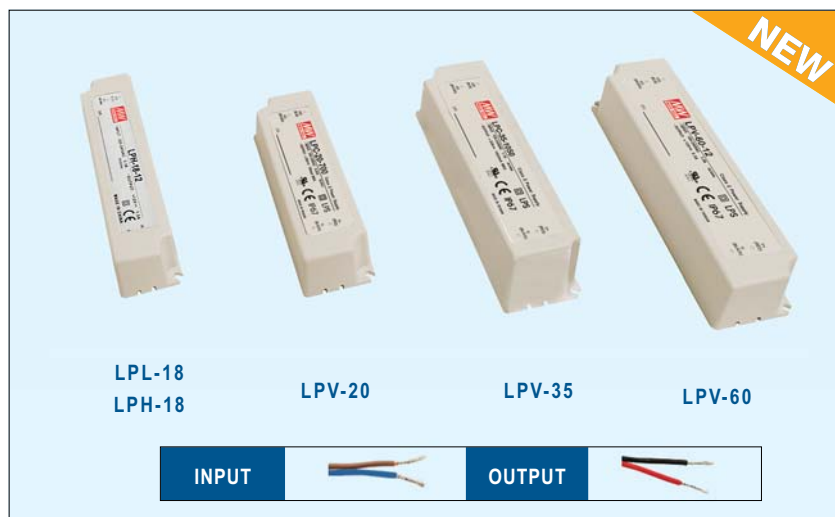
Block Diagram



Example of Application

Back up connection for AC interruption





Features

- Universal AC input / Full range (LPV)
- 180~264VAC input only (LPH-18)
- 90~132VAC input only (LPL-18)
- Fully encapsulated with IP67 level
- Protections: Short circuit / Overload / Over voltage
- Over temperature protection (LPH-18 / LPL-18 only)
- **Constant voltage design**
- Withstand 300VAC surge input for 5 seconds
- Isolation class II, no F.G.
- Cooling by free air convection
- Pass LPS
- 100% full load burn-in test
- Low cost, high reliability
- Suitable for LED related and moving sign applications
- 2 years warranty

General Specification (Please refer to www.meanwell.com for detail spec.)

LPS cULus FC (LPL-18 only) CE

Model No.	LPL-18	LPH-18	LPV-20	LPV-35	LPV-60
AC input voltage range	90~132VAC	180~264VAC	90~264VAC		
AC inrush current (max.)	Cold start, 40A at 115VAC	Cold start, 50A at 230VAC	Cold start, 70A at 230VAC	Cold start, 60A at 230VAC	
Overload	Range >105%		110%~150%		
Protection	Type Hiccup mode, auto-recovery				
Over voltage protection	115~135% rated output voltage				
Withstand voltage	I/P-O/P: 3KVAC				
Working temperature	-25~+70°C		-30~+70°C	-30~+75°C	-30~+60°C
Vibration	10~500Hz, 2G 10 minutes /1 cycle, period for 60 minutes each along X, Y, Z axes				
Safety standards	Design refer to UL1310 class 2, TUV EN60950-1		UL1310(except for LPV-60-5), CAN/CSA-C22.2 No. 223-H91 (except for LPV-60-5, LPV-60-48) approved; Design refer to EN61347-2-13		
EMC standards	FCC part 15 class B	EN55022 class B, EN61000-3-2,3, EN61000-4-2,3,4,5,6,8,11, ENV50204			
Connection (Input/Output)	UL rated, 18AWGx2C (30cm)		UL rated, 18AWGx2C (60cm)	UL rated, 16AWGx2C (60cm)	
Dimension (L*W*H)(mm)	140x 30x 20		118x 35x 26	148x 40x 30	162.5x 42.5x 32

18W (C.V. mode) LPL-18

Stock No.	Model No.	Output	Tol.	R&N	Effi.
11761	LPL-18-12	12V, 0~1.5A	±3%	120mV	80%
11762	LPL-18-24	24V, 0~0.75A	±3%	150mV	83%
11763	LPL-18-36	36V, 0~0.5A	±3%	200mV	84%

18W (C.V. mode) LPH-18

Stock No.	Model No.	Output	Tol.	R&N	Effi.
11551	LPH-18-12	12V, 0~1.5A	±3%	120mV	78%
11552	LPH-18-24	24V, 0~0.75A	±3%	150mV	82%
11553	LPH-18-36	36V, 0~0.5A	±3%	200mV	83%

20W (C.V. mode) LPV-20

Stock No.	Model No.	Output	Tol.	R&N	Effi.
11561	LPV-20-5	5V, 0~3.0A	±5%	80mV	77%
11562	LPV-20-12	12V, 0~1.67A	±5%	120mV	81%
11563	LPV-20-15	15V, 0~1.33A	±5%	120mV	83%
11564	LPV-20-24	24V, 0~0.84A	±5%	150mV	83%

35W (C.V. mode) LPV-35

Stock No.	Model No.	Output	Tol.	R&N	Effi.
11581	LPV-35-5	5V, 0~5.0A (Peak 6A)	±6%	80mV	77%
11582	LPV-35-12	12V, 0~3.0A	±5%	120mV	84%
11583	LPV-35-15	15V, 0~2.4A	±5%	120mV	84%
11584	LPV-35-24	24V, 0~1.5A	±5%	150mV	85%
11585	LPV-35-36	36V, 0~1.0A	±5%	150mV	85%

60W (C.V. mode) LPV-60

Stock No.	Model No.	Output	Tol.	R&N	Effi.
11601	LPV-60-5	5V, 0~8.00A	±8%	80mV	76%
11602	LPV-60-12	12V, 0~5.00A	±5%	120mV	83%
11603	LPV-60-15	15V, 0~4.00A	±5%	120mV	83%
11604	LPV-60-24	24V, 0~2.50A	±5%	150mV	86%
11605	LPV-60-36	36V, 0~1.67A	±5%	150mV	86%
11606	LPV-60-48	48V, 0~1.25A	±5%	150mV	86%

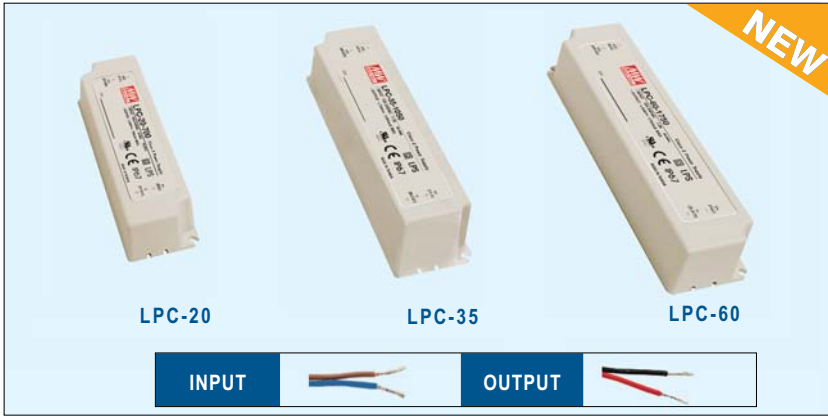


We are a TQM (Total Quality Management) company and ISO-9001 certified since 1994.



Best products also need best service.

We have authorized distributors all over the world. They have sufficient stock for your prompt delivery. Also they can offer you technical support & RMA services. Please contact your local distributors for more product information. You can also contact us at info@meanwell.com for information of your local distributors.



Features

- Universal AC input / Full range
- Fully encapsulated with IP67 level
- Protections: Short circuit / Overload / Over voltage
- **Constant current design**
- Withstand 300VAC surge input for 5 seconds
- Isolation class II, no F.G.
- Cooling by free air convection
- Pass LPS
- 100% full load burn-in test
- Low cost, high reliability
- Suitable for LED related and moving sign applications
- 2 years warranty

General Specification (Please refer to www.meanwell.com for detail spec.)



Model No.	LPC-20	LPC-35	LPC-60
AC input voltage range	90~264VAC		
AC inrush current (max.)	Cold start, 70A at 230VAC	Cold start, 60A at 230VAC	
Overload	±5%		
Protection	Constant current limiting, auto-recovery		
Over voltage protection	115~135% rated output voltage		
Withstand voltage	I/P-O/P: 3kVAC		
Working temperature	-30~+70°C	-30~+75°C	-30~+70°C
Vibration	10~500Hz, 2G 10 minutes / 1 cycle, period for 60 minutes each along X, Y, Z axes		
Safety standards	UL1310 class 2, CAN/CSA C22.2 No. 223-M91 (except for LPC-20-350, LPC-35-700, LPC-60-1050) approved; design refer to TUV EN60950-1, EN61347-2-13		
EMC standards	EN55022 class B, EN61000-3-2,3, EN61000-4-2,3,4,5,6,8,11, ENV50204		
Connection (Input/Output)	UL rated, 18AWGx2C (60cm)		UL rated, 16AWGx2C (60cm)
Dimension (L*W*H)(mm)	118x 35x 26	148x 40x 30	162.5x 42.5x 32

20W (C.C. mode) LPC-20

Stock No.	Model No.	Output	Tol.	R&N	Effi.
11571	LPC-20-350	3~48V, 350mA	±5%	200mV	83%
11572	LPC-20-700	3~30V, 700mA	±5%	200mV	83%

35W (C.C. mode) LPC-35

Stock No.	Model No.	Output	Tol.	R&N	Effi.
11591	LPC-35-700	9~48V, 700mA	±5%	200mV	85%
11592	LPC-35-1050	9~30V, 1050mA	±5%	200mV	85%
11593	LPC-35-1400	9~24V, 1400mA	±5%	200mV	85%

60W (C.C. mode) LPC-60

Stock No.	Model No.	Output	Tol.	R&N	Effi.
11611	LPC-60-1050	9~48V, 1050mA	±5%	200mV	87%
11612	LPC-60-1400	9~42V, 1400mA	±5%	200mV	85%
11613	LPC-60-1750	9~34V, 1750mA	±5%	200mV	87%



Who can provide you better services and be a trustworthy partner in the power industry?

— "MEAN WELL" tries to be —

Special Symbols for EN61347-2-13

110	Protection against overheating to prevent the lamp controlgear case temperature under any conditions of use from exceeding the indicated value (110°C)
F	Suitable for direct mounting on normally flammable surfaces, such as wood (>2mm)
M M	Based on VDE0710-14, can be installed inside a wooden material like wooden cabinet. The minimum distance between the product enclosure to wooden material in each side is defined
LPS	Limited Power Source
tc: 80°C ta: 40°C	Full load operation up to 40°C with surface temperature of case < 80°C
SELV EQUIVALENT	Based on EN61347, Vo < 34Vpeak/48VDC can have this mark on the unit



Features

- Universal AC input / Full range
- Fully isolated plastic case with IP64 level
- Built-in constant current limiting circuit with adjustable OCP level
- Protections: Short circuit / Overload / Over voltage
- **Optional dimming function: 1~10VDC(D type) or PWM(P type) controlled**
- UL1310 Class 2 power unit
- Cooling by free air convection
- Suitable for LED related and moving sign applications
- 2 years warranty

General Specification (Please refer to www.meanwell.com for detail spec.)



Model No.	ELN-30	ELN-60
AC input voltage range	90~264VAC	
AC inrush current (max.)	Cold start, 60A at 230VAC	
DC adjustment range	±10% rated output voltage	
Overload protection	95%~110% constant current limiting, auto-recovery	95%~130% constant current limiting, auto-recovery
Over Voltage	Range: 115%~150% rated output voltage	
Protection	Type: Shut off, AC recycle to re-start	
Withstand voltage	I/P-O/P: 3kVAC	
Working temperature	-20~+60°C (refer to output derating curve)	
Vibration	10~500Hz, 2G 10min/1 cycle, period for 60 min each along X, Y, Z axes	
Safety standards	UL1310 Class 2, CAN/CSA C22.2 No. 223-M91 (except for ELN-30-48, ELN-60-48) approved; design refer to TUV EN60950-1, EN61347-2-13	
EMC standards	EN55022 class B, EN61000-3-2,3, EN61000-4-2,3,4,5,6,8,11, ENV50204	
Connection	Input/Output: UL rated, 18AWGx2C (30cm); Output(with optional dimming function): 18AWGx4C (30cm)	
Dimension (L*W*H)(mm)	145x 47x 30	181x 61.5x 35
Case No.	964A	960A
Packing	0.26kg ; 60pcs / 16.6kg / 1.25CUFT	0.4kg ; 24pcs / 11.0kg / 0.75CUFT

30W ELN-30

Stock No.	Model No.	Output	Tol.	R&N	Effi.
11511	ELN-30-5	5V, 0~5.0A	±5%	80mV	75%
11512	ELN-30-9	9V, 0~3.4A	±5%	100mV	80%
11513	ELN-30-12	12V, 0~2.5A	±5%	120mV	82%
11514	ELN-30-15	15V, 0~2.0A	±5%	120mV	82%
11515	ELN-30-24	24V, 0~1.25A	±5%	150mV	85%
11516	ELN-30-27	27V, 0~1.12A	±5%	150mV	85%
11517	ELN-30-48	48V, 0~0.63A	±5%	250mV	87%

60W ELN-60

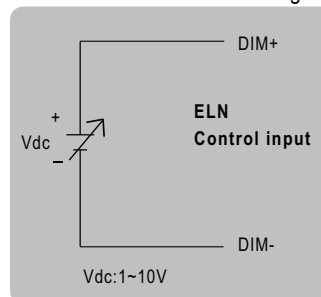
Stock No.	Model No.	Output	Tol.	R&N	Effi.
11521	ELN-60-9	9V, 0~5.0A	±5%	120mV	82%
11522	ELN-60-12	12V, 0~5.0A	±5%	120mV	85%
11523	ELN-60-15	15V, 0~4.0A	±5%	150mV	86%
11524	ELN-60-24	24V, 0~2.5A	±5%	150mV	87%
11525	ELN-60-27	27V, 0~2.3A	±5%	200mV	87%
11526	ELN-60-48	48V, 0~1.3A	±5%	250mV	88%

▶ Dimming Control (optional)

Through the dimming function, output current of ELN series can be adjusted to reduce the energy consumption or adjust the brightness of LEDs connecting to it. Two kinds of control signal are accepted: 1~10VDC (D-type option) or PWM signal (P-type option).

D Type:

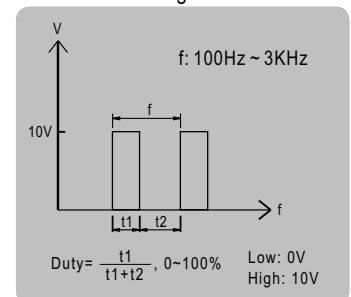
1~10Vdc external control signal



Order No.: ELN-30-5D

P Type:

PWM control signal



Order No.: ELN-30-5P



Features

- Universal AC input / Full range
- Fully isolated plastic case with IP64 level
- **Built-in active PFC function, PF>0.9 for 75% of load or higher**
- Protections: Short circuit / Overload / Over voltage / Over temperature
- Built-in constant current limiting circuit
- User adjustable output voltage (except for PLN-20) and constant current level
- UL1310 Class 2 power unit
- Cooling by free air convection
- 100% full load burn-in test
- Suitable for LED lighting and moving sign applications
- 2 years warranty

General Specification (Please refer to www.meanwell.com for detail spec.)

Model No.	PLN-20 NEW	PLN-30	PLN-60	PLN-100
AC input voltage range	90~264VAC			
AC inrush current (max.)	Cold start, 40A at 230VAC			
DC adjustment range	None	±10% rated output voltage adjustable by internal potential meter		85%~ -100% rated output voltage
Current adjustment range	50% ~ 100%	75%~ 103% rated output current adjustable by internal potential meter		
Overload protection	110%~120% constant current limiting, auto-recovery	95%~130% constant current limiting, auto-recovery	95%~102% constant current limiting, auto-recovery	
Over voltage protection	105%~142% rated output voltage	110%~155% rated output voltage	115%~140% rated output voltage	107%~135% rated output voltage
Setup, rise, hold up time	1500ms, 150ms at full load and 230VAC, no hold up time	1500ms, 100ms at full load and 230VAC, no hold up time	1200ms, 80ms, 60ms at full load and 230VAC	
Withstand voltage	I/P-O/P: 3kVAC	I/P-O/P: 4.25kVDC	I/P-O/P: 3.75kVAC	
Working temperature	-30~+50°C (refer to output derating curve)			
Safety standards	UL1310 Class 2, CAN/CSA-C22.2 No.223-M91 (except for 48V), EN61347-1, EN61347-2-13 approved (20W pending) TUV EN60950-1; UL879 (listed in Sign Components Manual – SAM) approved (PLN-100 only)			
EMC standards	EN55015, EN55022 class B(PLN-60/100 only), EN61000-3-2,3, EN61000-4-2,3,4,5,6,8,11, ENV50204, EN61547			
Connection	Input	UL rated, 18AWGx2C (30cm)		
	Output	UL rated, 18AWGx3C (30cm) (PLN-60/100) UL rated, 18AWGx2C (30cm) (PLN-20/30)		
Dimension (L*W*H)(mm)	148.5x 38.5x 28	145x 47x 30	181x 61.5x 35	200x 70.5x 35
Case No.	-----	964A	960A	955A
Packing	-----	0.22kg ; 60pcs / 14.2kg / 1.25CUFT	0.5kg ; 24pcs / 13.0kg / 0.75CUFT	0.52kg ; 20pcs / 12.5kg / 0.76CUFT

PLN-20 Series

UL / CUL / TUV / CE pending

Stock No.	Model No.	Output	Tol.	R&N	Effi.
11051	PLN-20-5	5V, 0~3.0A	±10%	2.0V	70%
11052	PLN-20-12	12V, 0~1.6A	±10%	1.5V	83%
11053	PLN-20-18	18V, 0~1.1A	±10%	2.0V	84%
11054	PLN-20-24	24V, 0~0.8A	±10%	2.4V	85%
11055	PLN-20-36	36V, 0~0.5A	±10%	3.6V	85%
11056	PLN-20-48	48V, 0~0.4A	±10%	4.8V	85%

PLN-60 Series

LPS

Stock No.	Model No.	Output	Tol.	R&N	Effi.
11481	PLN-60-12	12V, 0~5.0A	±10%	2.0V	83.0%
11482	PLN-60-15	15V, 0~4.0A	±10%	2.4V	84.5%
11483	PLN-60-20	20V, 0~3.0A	±10%	1.8V	86.5%
11484	PLN-60-24	24V, 0~2.5A	±10%	2.7V	86.5%
11485	PLN-60-27	27V, 0~2.3A	±10%	2.7V	87.0%
11486	PLN-60-36	36V, 0~1.7A	±10%	3.6V	87.0%
11487	PLN-60-48	48V, 0~1.3A	±10%	4.6V	88.0%

PLN-30 Series

LPS

Stock No.	Model No.	Output	Tol.	R&N	Effi.
11501	PLN-30-9	9V, 0~3.3A	±10%	2.6V	80%
11502	PLN-30-12	12V, 0~2.5A	±10%	2.0V	83%
11503	PLN-30-15	15V, 0~2.0A	±10%	2.6V	84%
11504	PLN-30-20	20V, 0~1.5A	±10%	2.0V	84%
11505	PLN-30-24	24V, 0~1.25A	±10%	2.6V	85%
11506	PLN-30-27	27V, 0~1.12A	±10%	2.3V	85%
11507	PLN-30-36	36V, 0~0.84A	±10%	4.5V	86%
11508	PLN-30-48	48V, 0~0.63A	±10%	3.7V	86%

PLN-100 Series

LPS

Stock No.	Model No.	Output	Tol.	R&N	Effi.
11491	PLN-100-12	12V, 0~5.00A	±3%	150mV	83%
11492	PLN-100-15	15V, 0~5.00A	±3%	150mV	85%
11493	PLN-100-20	20V, 0~4.80A	±3%	150mV	87%
11494	PLN-100-24	24V, 0~4.00A	±3%	150mV	87%
11495	PLN-100-27	27V, 0~3.55A	±3%	150mV	87%
11496	PLN-100-36	36V, 0~2.65A	±2%	150mV	87%
11497	PLN-100-48	48V, 0~2.00A	±2%	200mV	87%



■ Features

- Universal AC input / Full range
- Fully isolated plastic case with screw terminal style of I/O
- Built-in constant current limiting circuit
- Adjustable output voltage and current level
- Built-in active PFC function, PF>0.9 for 75% of load or higher
- High efficiency up to 89%
- Cooling by free air convection
- Protections: Short circuit / Overload / Over voltage / Over temperature
- 100% full load burn-in test
- Suitable for LED lighting and moving sign applications
- 2 years warranty

■ General Specification (Please refer to www.meanwell.com for detail spec.)

Model No.	PLC-30	PLC-60	PLC-100
AC input voltage range	90~264VAC; 127~370VDC		
AC inrush current (max.)	Cold start, 40A at 230VAC		
DC adjustment range	±10% rated output voltage adjustable by internal potential meter		85 ~ 100% rated output voltage
Current adjustment range	75%~ 103% rated output current adjustable by internal potential meter		75 ~ 100% rated output voltage
Overload protection	110%~120% constant current limiting, auto-recovery	95%~110% constant current limiting, auto-recovery	95%~102% constant current limiting, auto-recovery
Over voltage protection	110%~155% rated output voltage	115%~140% rated output voltage	107%~135% rated output voltage
Setup time	1000ms		1200ms
Withstand voltage	I/P-O/P: 3.75kVAC		
Working temperature	-30~+50°C (refer to output derating curve)		
Safety standards	UL1310 Class 2, CAN/CSA-C22.2 No.223-M91 (except for 48V), EN61347-2-13 approved (30W&60W pending) TUV EN60950-1; UL879 (listed in Sign Components Manual – SAM) approved for PLC-100		
EMC standards	EN55015, EN55022 class B (PLC-60/100), EN61000-3-2 class C, EN61000-4-2,3,4,5,6,8,11, ENV50204, EN61547		
Connection (Input / Output)	2+2P screw terminal block		3+2P screw terminal block
Dimension (L*W*H)(mm)	160x 47x 30	181x 61.5x 35	200.5x 70.5x 35
Packing	-----	-----	0.52kg ; 25pcs / 14.0kg / 0.65CUFT

■ PLC-30 Series UL / CUL / TUV / CE pending

Stock No.	Model No.	Output	Tol.	R&N	Effi.
12931	PLC-30-9	9V, 0~3.3A	±10%	2.6V	80%
12932	PLC-30-12	12V, 0~2.5A	±10%	2.0V	83%
12933	PLC-30-15	15V, 0~2.0A	±10%	2.6V	84%
12934	PLC-30-20	20V, 0~1.5A	±10%	2.0V	84%
12935	PLC-30-24	24V, 0~1.25A	±10%	2.4V	85%
12936	PLC-30-27	27V, 0~1.12A	±10%	2.3V	85%
12937	PLC-30-36	36V, 0~0.84A	±10%	3.6V	86%
12938	PLC-30-48	48V, 0~0.63A	±10%	3.7V	86%

■ PLC-100 Series LPS

Stock No.	Model No.	Output	Tol.	R&N	Effi.
12951	PLC-100-12	12V, 0~5.00A	±3%	150mV	85%
12952	PLC-100-15	15V, 0~5.00A	±3%	150mV	86%
12953	PLC-100-20	20V, 0~4.80A	±3%	150mV	89%
12954	PLC-100-24	24V, 0~4.00A	±3%	150mV	88%
12955	PLC-100-27	27V, 0~3.55A	±3%	150mV	88%
12956	PLC-100-36	36V, 0~2.65A	±2%	150mV	88%
12957	PLC-100-48	48V, 0~2.00A	±2%	200mV	89%

■ PLC-60 Series UL / CUL / TUV / CE pending

Stock No.	Model No.	Output	Tol.	R&N	Effi.
12941	PLC-60-12	12V, 0~5.0A	±10%	2.0V	83.0%
12942	PLC-60-15	15V, 0~4.0A	±10%	2.4V	84.5%
12943	PLC-60-20	20V, 0~3.0A	±10%	1.8V	86.5%
12944	PLC-60-24	24V, 0~2.5A	±10%	2.4V	86.5%
12945	PLC-60-27	27V, 0~2.3A	±10%	2.7V	87.0%
12946	PLC-60-36	36V, 0~1.7A	±10%	3.6V	87.0%
12947	PLC-60-48	48V, 0~1.3A	±10%	4.6V	88.0%



Who can provide you better services and be a trustworthy partner in the power industry?

— "MEAN WELL" tries to be —



Best products also need best service.

We have authorized distributors all over the world. They have sufficient stock for your prompt delivery. Also they can offer you technical support & RMA services. Please contact your local distributors for more product information. You can also contact us at info@meanwell.com for information of your local distributors.



Features

- Universal AC input / Full range
- Protections: Short circuit / Overload / Over voltage / Over temperature
- Built-in active PFC function, PF>0.9 for 75% of load or higher
- IP67 / IP65 design for indoor or outdoor installations (exclude C type)
- OCP point adjustable through output cable or internal potential meter (CLG-150 / 240)
- UL1310 class2 power unit (CLG-60&100)
- Cooling by free air convection
- Suitable for LED lighting and moving sign applications
- Optional model for CLG-150 / 240:
 - A-Type: IP65 rated. Output and constant current level can be adjusted through internal potential meter
 - B-Type: IP67 rated and constant current level adjustable through output cable (optional)
 - C-Type: Terminal block for I/O connection (optional)
 - Blank-Type: IP67 rated, cable for I/O connection (optional)
- 3 years warranty

General Specification (Please refer to www.meanwell.com for detail spec.)



Model No.	CLG-60	CLG-100	CLG-150 NEW	CLG-240 NEW
AC input voltage range	90~264VAC; 127~370VDC		90~280VAC; 127~396VDC	
AC inrush current (max.)	Cold start, 40A at 230VAC		Cold start, 65A at 230VAC	
DC adjustment range	Fixed. Can be modified between $\pm 10\%$ (CLG-60) or 0~15% (CLG-100) rated output voltage		A and C type can be adjusted by internal potential meter	
Current adjustment range	Fixed. Can be modified between 75%~103% rated output current		Can be adjusted by internal potential meter (A and C type) or through output cable (B type)	
Overload protection	95%~130% constant current, auto-recovery	95%~102% constant current, auto-recovery	95%~108% constant current limiting, auto-recovery	
Over voltage protection	110%~140%	107%~135%	110%~140% rated output voltage	
Setup, rise, and hold up time	1500ms, 150ms, no hold up time	1200ms, 80ms, 60ms at full load and 230VAC	3000ms, 80ms, 20ms at full load and 230VAC	
Withstand voltage	I/P-O/P: 4.25kVDC	I/P-O/P: 3.75kVAC, I/P-FG: 1.88kVAC, O/P-FG: 1.5kVAC		
Working temperature	-30~+70°C (refer to output derating curve)			
Safety standards	UL1310 Class 2, EN61347-1, EN61347-2-13, CAN/CSA-C22.2 No.223-M91 (except for 48V) approved, TUV EN60950-1 & UL879 (SAM list) also for CLG-100		UL60950-1, UL1012, TUV EN60950-1, EN61347-1, EN61347-2-13 approved (CLG-240 pending)	
EMC standards	EN55015, EN55022 class B, EN61000-3-2,3, EN61000-4-2,3,4,5,6,8,11, ENV50204, EN61547			
Connection	Input	UL rated, 18AWGx3C (30cm)		UL rated, 18AWGx3C (30cm); Terminal block for C type option
	Output	UL rated, 18AWGx2C (30cm)		A & Blank type: 14AWGx2C (30cm) B type: 14AWGx2C (30cm)+18AWGx2C (30cm) C type: Terminal block
Dimension (L*W*H)(mm)	172x 61.5x 39	222x 68x 39	222x 68x 39	244x 68x 39
Case No.	957A	954A	954A	-----
Packing	16pcs / 14.8kg	12pcs / 13kg	12pcs / 13kg	-----

60W (Class 2) CLG-60

Stock No.	Model No.	Output	Tol.	R&N	Effi.
11461	CLG-60-12	12V, 0~5.0A	$\pm 10\%$	2.0V	83.0%
11462	CLG-60-15	15V, 0~4.0A	$\pm 10\%$	2.4V	84.5%
11463	CLG-60-20	20V, 0~3.0A	$\pm 10\%$	1.8V	86.5%
11464	CLG-60-24	24V, 0~2.5A	$\pm 10\%$	2.7V	86.5%
11465	CLG-60-27	27V, 0~2.3A	$\pm 10\%$	2.7V	87.0%
11466	CLG-60-36	36V, 0~1.7A	$\pm 10\%$	3.6V	87.0%
11467	CLG-60-48	48V, 0~1.3A	$\pm 10\%$	4.6V	88.0%

150W **NEW** CLG-150

Stock No.	Model No.	Output	Tol.	R&N	Effi.
11621	CLG-150-12A	12V, 0~11.0A	$\pm 2\%$	150mV	88%
11622	CLG-150-15A	15V, 0~9.50A	$\pm 2\%$	150mV	88%
11623	CLG-150-20A	20V, 0~7.50A	$\pm 2\%$	150mV	90%
11624	CLG-150-24A	24V, 0~6.30A	$\pm 1\%$	150mV	90%
11625	CLG-150-30A	30V, 0~5.00A	$\pm 1\%$	150mV	90%
11626	CLG-150-36A	36V, 0~4.20A	$\pm 1\%$	150mV	89%
11627	CLG-150-48A	48V, 0~3.20A	$\pm 1\%$	200mV	90%

□ = A (standard model) , B, C or blank (optional models)

96W (Class 2) CLG-100

Stock No.	Model No.	Output	Tol.	R&N	Effi.
11471	CLG-100-12	12V, 0~5.00A	$\pm 3\%$	150mV	83%
11472	CLG-100-15	15V, 0~5.00A	$\pm 3\%$	150mV	85%
11473	CLG-100-20	20V, 0~4.80A	$\pm 3\%$	150mV	87%
11474	CLG-100-24	24V, 0~4.00A	$\pm 3\%$	150mV	87%
11475	CLG-100-27	27V, 0~3.55A	$\pm 3\%$	150mV	87%
11476	CLG-100-36	36V, 0~2.65A	$\pm 2\%$	150mV	87%
11477	CLG-100-48	48V, 0~2.00A	$\pm 2\%$	200mV	87%

240W **NEW** CLG-240

Stock No.	Model No.	Output	Tol.	R&N	Effi.
11651	CLG-240-12A	12V, 0~18.0A	$\pm 2\%$	150mV	90%
11652	CLG-240-15A	15V, 0~15.0A	$\pm 2\%$	150mV	90%
11653	CLG-240-20A	20V, 0~12.0A	$\pm 1\%$	150mV	92%
11654	CLG-240-24A	24V, 0~10.0A	$\pm 1\%$	150mV	92%
11655	CLG-240-30A	30V, 0~8.00A	$\pm 1\%$	150mV	92%
11656	CLG-240-36A	36V, 0~6.70A	$\pm 1\%$	150mV	93%
11657	CLG-240-48A	48V, 0~5.00A	$\pm 1\%$	200mV	93%

□ = A (standard model) , B, C or blank (optional models)

150W U-Bracket Single Output with PFC Function

UL / CUL / TUV / CE pending



200x 68x 33 mm

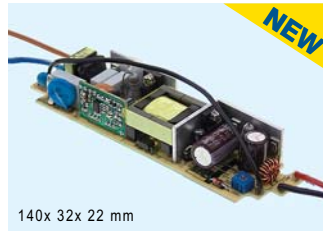
- Universal AC input / Full range
- **Built-in active PFC function, PF>0.9 for 75% of load or higher**
- Protections: Short circuit / Overload / Over voltage / Over temperature
- Cooling by free air convection
- 300VAC surge input for 30 seconds
- 3 times high surge output current for 30ms
- TTL signal for over-temperature warning
- 3 years warranty

AC input voltage range 90~280VAC; 127~396VDC
 AC inrush current Cold start, 44A at 230VAC
 Overload protection 105~130% constant current, auto-recovery
 Over voltage protection 115%~135% hiccup mode, auto-recovery
 Over temp. protection Shut down output voltage, recovers automatically after fault condition is removed
 Setup, rise, hold up time 2000ms, 100ms, 16ms at full load and 230VAC
 Withstand voltage I/P - O/P: 4kVAC, I/P-FG: 1.5kVAC, O/P-FG: 0.5kVAC
 Working temperature -30°C~70°C (refer to output derating curve)
 Safety standards Design refer to EN61347-2-13, UL1012, UL60950-1, EN60950-1
 EMC standards EN55015, EN55022 class B, EN61000-3-2 Class C, EN61547

Stock No.	Model No.	Output	Tol.	R&N	Effi.
13311	ULP-150-12	12V, 0~12.5A	±2%	100mV	88%
13312	ULP-150-15	15V, 0~10.0A	±2%	100mV	88%
13313	ULP-150-24	24V, 0~6.30A	±2%	100mV	90%
13314	ULP-150-36	36V, 0~4.20A	±2%	150mV	90%
13315	ULP-150-48	48V, 0~3.20A	±2%	150mV	90%

20W Single Output LED Power Supply

UL / CUL / TUV / CE pending



140x 32x 22 mm

- Universal AC input / Full range
- Protections: Short circuit / Overload / Over voltage / Over temperature
- **Built-in active PFC function, PF>0.9 for 75% of load or higher**
- Cooling by free air convection
- 100% full load burn-in test
- **Suitable for LED lighting and moving sign applications**
- 2 years warranty

AC input voltage range90~264VAC; 127~370VDC
 AC inrush currentCold start, 40A at 230VAC
 Output current adj range ...50%~100% rated output current
 Over current protection110~120% constant current, auto-recovery
 Over voltage protection 110%~140% shut off, re-power on to recover
 Over temp. protectionShut down output voltage, recovers automatically after temperature goes down
 Setup, rise, hold up time .. 1500ms, 150ms at full load and 230VAC, **no hold up time**
 Withstand voltage I/P - O/P: 3kVAC
 Working temperature-20°C~60°C (refer to output derating curve)
 Safety standardsDesign refer to EN61347-1, EN61347-2-13, UL1310
 EMC standardsEN55015, EN61000-3-2 Class C, EN61000-4-2,3,4,5,6,8,11, EN61547

Stock No.	Model No.	Output	Tol.	R&N	Effi.
12901	PLP-20-5	5V, 0~3.0A	±10%	2.0V	70%
12902	PLP-20-12	12V, 0~1.6A	±10%	1.5V	83%
12903	PLP-20-18	18V, 0~1.1A	±10%	1.8V	84%
12904	PLP-20-24	24V, 0~0.8A	±10%	2.4V	85%
12905	PLP-20-36	36V, 0~0.5A	±10%	3.6V	85%
12906	PLP-20-48	48V, 0~0.4A	±10%	4.8V	85%

120W Slim Single Output DIN Rail Type

Under Development



- High efficiency up to 91%
- Universal AC input / Full range
- Built-in PFC function, PF>0.93
- Protections: Short circuit / Overload / Over voltage / Over temperature
- Cooling by free air convection
- Can be installed on DIN rail TS-35/7.5 or 15
- Design refer to UL508, TUV EN60950-1
- EN61000-6-2(EN50082-2) industrial immunity level
- Built-in DC OK relay contact
- 150% peak load capability
- Comply with GL and SEMI F47
- 3 years warranty

18W Economical class 2 LED Power with Plastic Casing

Under Development

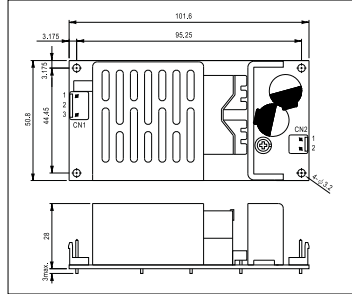


- Built-in constant current limiting circuit (C.C. + C.V. mode)
- 180~264VAC input only (LPHC-18)
- 90~132VAC input only (LPLC-18)
- DC constant current output: 350mA, 700mA, 800mA
- Protections: Short circuit / Overload / Over voltage / Over temperature
- Design refer to UL1310, EN61347-2-13
- Low cost & high reliability
- 2 years warranty
- Application: LED-based decorative / architectural lighting, LED stage and theater lighting, and LED electronic displays

30W Single Output LED Power Supply

- Universal AC input / Full range
- Protections: Short circuit / Overload / Over voltage
- Built-in active PFC function, PF>0.9 for 75% of load or higher
- Cooling by free air convection
- 100% full load burn-in test
- Suitable for LED lighting and moving sign applications
- 2 years warranty

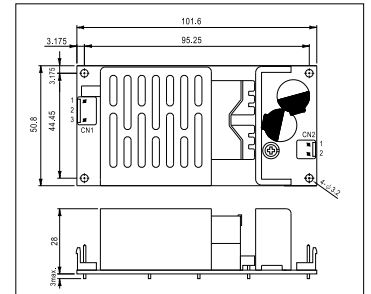
UL / CUL / TUV / CE pending



60W Single Output LED Power Supply

- Universal AC input / Full range
- Protections: Short circuit / Overload / Over voltage
- Built-in active PFC function, PF>0.9 for 75% of load or higher
- Cooling by free air convection
- 100% full load burn-in test
- Suitable for LED lighting and moving sign applications
- 2 years warranty

UL / CUL / TUV / CE pending



AC input voltage range 90~264VAC; 127~370VDC
 AC inrush current Cold start, 40A at 230VAC
 Output current adj. range .. 50%~100% rated output current
 Overload protection 100~110% constant current, auto-recovery
 Over voltage protection 115%~135% shut off, re-power on to recover
 Setup, rise, hold up time .. 2000ms, 100ms at full load and 230VAC, no hold up time
 Withstand voltage I/P - O/P: 3kVAC, I/P - FG: 1.5kVAC, 1 minute
 Working temperature -30°C~70°C (refer to output derating curve)
 Safety standards Design refer to UL60950-1, EN61347-2-13
 EMC standards EN55015, EN61000-3-2 Class C(>80% load),
 EN61000-3-3, EN61000-4-2,3,4,5,6,8,11, ENV50204,
 EN61547
 Connection 3+2P / 3.96mm pitch, JST P/N: B3P / B2P-VH

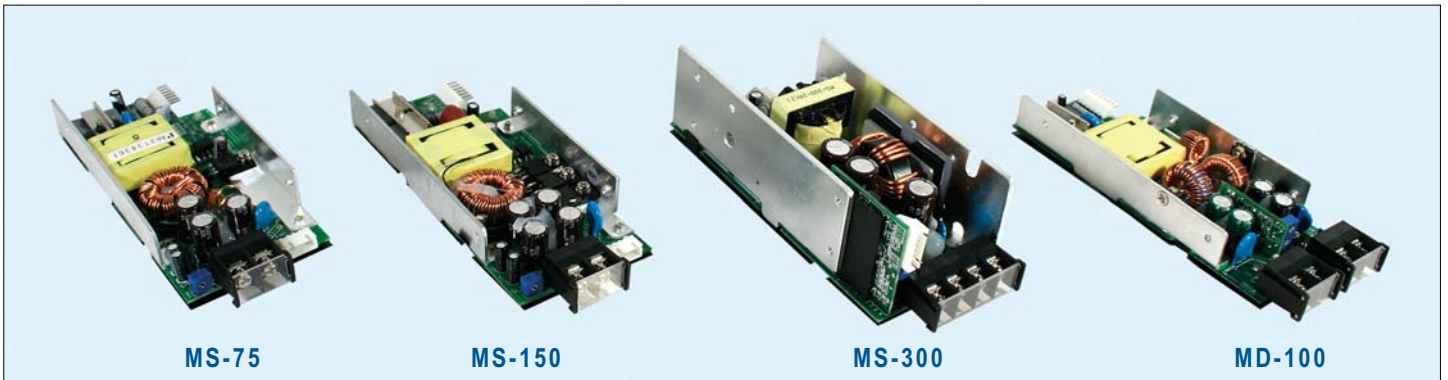
AC input voltage range 90~264VAC; 127~370VDC
 AC inrush current Cold start, 40A at 230VAC
 Output current adj. range .. 50%~100% rated output current
 Overload protection 100~110% constant current, auto-recovery
 Over voltage protection 115%~135% shut off, re-power on to recover
 Setup, rise, hold up time .. 2000ms, 100ms at full load and 230VAC, no hold up time
 Withstand voltage I/P - O/P: 3kVAC, I/P - FG: 1.5kVAC, 1 minute
 Working temperature -30°C~70°C (refer to output derating curve)
 Safety standards Design refer to UL60950-1, TUV EN61347-2-13
 EMC standards EN55015, EN61000-3-2 Class C(>75% load),
 EN61000-3-3, EN61000-4-2,3,4,5,6,8,11, ENV50204,
 EN61547
 Connection 3+2P / 3.96mm pitch, JST P/N: B3P / B2P-VH

Stock No.	Model No.	Output	Tol.	R&N	Effi.
12871	PLP-30-12	12V, 0~2.5A	±10%	2.0V	83.0%
12872	PLP-30-24	24V, 0~1.3A	±10%	2.6V	86.5%
12873	PLP-30-48	48V, 0~0.63A	±10%	3.7V	87.5%

Stock No.	Model No.	Output	Tol.	R&N	Effi.
12881	PLP-60-12	12V, 0~5.0A	±10%	4.5V	83.0%
12882	PLP-60-24	24V, 0~2.5A	±10%	4.5V	86.5%
12883	PLP-60-48	48V, 0~1.3A	±10%	4.3V	87.5%

► Comparison Chart

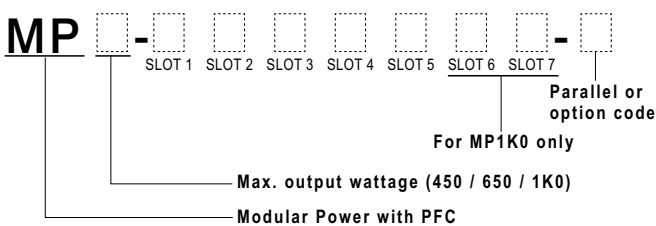
Model Name	Case		Potted	PFC	V / I Adj.	IP	Hold-up Time	Ripple & Noise	Optional Dimming	Application
	Metal	Plastic								
CLG-150/240 (Non class 2)	•		•	•	•	65/67	Normal	Normal		General
CLG-100	•		•	•		67	Normal	Normal		General
CLG-60	•		•	•		67	Non	High		LED
PLN-100		•		•	•	64	Normal	Normal		General
PLN-60		•		•	•	64	Non	High		LED
PLN-30		•		•	•	64	Non	High		LED
PLN-20		•		•	•	64	Non	High		LED
PLC-100		•		•	I only	----	Normal	Normal		General
PLC-60		•		•	•	----	Non	High		LED
PLC-30		•		•	•	----	Non	High		LED
ELN-60		•			•	64	Normal	Normal	•	General
ELN-30		•			•	64	Normal	Normal	•	General
LPH / LPL-18 LPV / LPC-20/35/60		•	•			67	Normal	Normal		General
PLP-20 / 30 / 60	PCB type			•	I only	Non	Non	High		LED



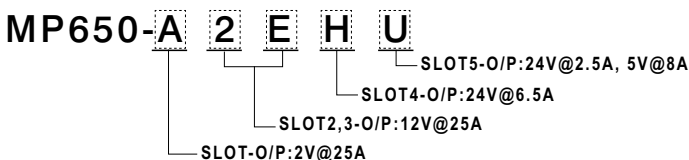
Description

Modular series are switching power supplies with modular design that consist of two stages: front-end PFC and output modules. Using ZVS (Zero Voltage Switching) technology to realize the power factor correction, the line input is rectified into high DC voltage (around 390Vdc) by the front-end PFC stage, and then the DC output modules will transfer the operating voltage into all kinds of DC output voltages from 1.6V~53V. Right now we offer 75W, 150W, 300W single output modules and 100W dual output modules to fulfill all kinds of applications up to 14 isolated outputs. There are millions of combinations available for the Modular series. Users can configure the DC outputs they need and get the fastest solution for their own power requirement with safety and EMC certificates. No more NRE / safety application charges and long period of waiting for certificates! Providing standard products as usual, MEAN WELL offer you a revolutionary standard power solution that fulfills your custom-made request!

Output Configuration Guide



Example:



Features

- Millions of output configuration is available
- Using ZVS technology to reduce power dissipation and improve efficiency
- Universal AC input / Full range
- Built-in active PFC compliance to EN61000-3-2
- Built-in constant current limiting circuit for single output modules
- Remote control on each output module
- Remote sense on each output module (MS-75/150/300)
- Short circuit / Overload / Over voltage protections for all modules
- Built-in parallel function for MS-300(up to 3 units)
- Cooling by built-in DC fan with fan alarm function
- Additional 12V/0.1A auxiliary output for remote control
- 3 years warranty

General Specification (Please refer to www.meanwell.com for detail spec.)



Model No.	MP450	MP650	MP1K0
AC input voltage range	85~264VAC or 120~370VDC		
Power Factor	PF > 0.95 / 230VAC, PF > 0.98 / 115VAC at full load		
AC inrush current (max.)	Cold start, 40A at 230VAC	Cold start, 50A at 230VAC	Cold start, 40A at 230VAC
Max output voltage	450W	650W	1000W
Efficiency (typical)	83%	85%	84%
Over temperature protection	Output shutdown, auto-recovery		
Fan alarm	Output shutdown when fan malfunction		
Withstand voltage	I/P - O/P: 3kVAC, I/P - FG: 1.5kVAC, O/P - FG: 0.5kVAC, 1 minute		
Working temperature	-20~+50°C@100%, +70°C @ 50% load		
Safety standards	UL60950-1, TUV EN60950-1		
EMC standards	Compliance to EN55022 class B, EN61000-3-2,3, EN61000-4-2,3,4,5,6,8,11, ENV50204, EN55024 light industry level, criteria A		
Connection	Input side: 3P/10mm pitch terminal block & JST B3B-XH		
Dimension (L*W*H)(mm)	254x 127x 63.5	278x 127x 63.5	278x 177.8x 63.5

MS-75: 1-SLOT single output (75W max.)

Item Code	Output	★Peak I	Vdc adj.	Tol.	R&N.
L	3.3V, 0~15A	17.3A	2.6~4.0V	±2%	80mV
M	5V, 0~15A	17.3A	4.0~6.0V	±2%	80mV
N	12V, 0~6.3A	7.30A	9.0~13.2V	±1%	150mV
O	15V, 0~5.0A	5.80A	13.2~16.8V	±1%	150mV
P	24V, 0~3.2A	3.70A	20.0~26.4V	±1%	150mV
Q	48V, 0~1.6A	1.80A	40.0~53.0V	±1%	250mV

MS-150: 1-SLOT single output (150W max.)

Item Code	Output	★Peak I	Vdc adj.	Tol.	R&N.
A	2V, 0~25A	30.0A	1.6~2.6V	±3%	50mV
B	3.3V, 0~25A	30.0A	2.6~4.0V	±2%	80mV
C	5V, 0~25A	30.0A	4.0~6.0V	±2%	80mV
D	7.5V, 0~18A	20.7A	6.0~9.0V	±2%	100mV
E	12V, 0~13A	15.0A	9.0~13.2V	±1%	150mV
F	15V, 0~10A	11.5A	13.2~16.8V	±1%	150mV
G	18V, 0~8.5A	9.80A	16.8~20.0V	±1%	150mV
H	24V, 0~6.5A	7.50A	20.0~26.4V	±1%	150mV
I	27V, 0~5.8A	6.70A	25.0~31.0V	±1%	150mV
J	33V, 0~4.7A	5.40A	30.0~40.0V	±1%	250mV
K	48V, 0~3.2A	3.68A	40.0~53.0V	±1%	250mV

MS-300: 2-SLOT parallelable single output (300W max.)

Item Code	Output	★Peak I	Vdc adj.	Tol.	R&N.
2A	2V, 0~50A	57.5A	1.6~2.6V	±3%	80mV
2B	3.3V, 0~50A	57.5A	2.6~4.0V	±2%	80mV
2C	5V, 0~50A	57.5A	4.0~6.0V	±2%	80mV
2D	7.5V, 0~40A	46.0A	6.0~9.0V	±2%	100mV
2E	12V, 0~25A	29.0A	9.0~13.2V	±1%	150mV
2F	15V, 0~20A	23.0A	13.2~16.8V	±1%	150mV
2G	18V, 0~16.7A	19.2A	16.8~20.0V	±1%	150mV
2H	24V, 0~12.5A	14.4A	20.0~26.4V	±1%	150mV
2I	27V, 0~11.2A	12.9A	25.0~31.0V	±1%	200mV
2J	33V, 0~9.1A	10.5A	30.0~40.0V	±1%	250mV
2K	48V, 0~6.3A	7.2A	40.0~53.0V	±1%	300mV

MD-100: 1-SLOT isolated dual output (100W max.)

Item Code	Output	Vdc adj.	Tol.	R&N.	Max.
R	5V, 2.0~10A	4.75~5.5V	±3%	100mV	90.0W
	5V, 0.0~8.0A	4.75~5.5V	±3%	100mV	
S	5V, 2.0~10A	4.75~5.5V	±3%	100mV	100.4W
	12V, 0.0~5.8A	11.4~13.2V	±3%	150mV	
T	5V, 2.0~10A	4.75~5.5V	±3%	100mV	101.0W
	15V, 0.0~4.7A	14.2~16.5V	±3%	150mV	
U	24V, 0.5~3.0A	22.8~26.4V	±3%	200mV	100.0W
	5V, 0.0~10A	4.75~5.5V	±3%	100mV	
V	24V, 0.6~3.0A	22.8~26.4V	±2%	240mV	100.8W
	12V, 0.0~4.7A	11.4~13.2V	±3%	120mV	
W	12V, 1.0~5.0A	11.4~13.2V	±2%	120mV	100.8W
	12V, 0.0~5.8A	11.4~13.2V	±3%	120mV	
X	15V, 1.0~4.7A	14.2~16.5V	±2%	150mV	100.5W
	15V, 0.0~4.7A	14.2~16.5V	±3%	150mV	

Parallel Connection Accessory

FAP-001
(For MS-300)



Series Connection Accessory

FAS-001
(For 1-slot modules)



FAS-002
(For 2-slot modules)



- ★Peak I: 35% duty cycle maximum within every 10 seconds. Average output power should not exceed the rated power.
- ★Please use MP450-CNPOQ, MP650-A2EHU, MP1K0-2C2CEKL-1.....etc. as the order code. For more detail information about technical issues, please refer to the user manual.
- ★Please refer to the user manual for more detail information about parallel connection and the parallel codes. About series connection, please contact us or your local MEAN WELL distributor for more details.

600~800W Single Output with Parallel Function

Parallel



291x 132x 68 mm

- AC input range selectable by switch
- Protections: Short circuit / Over voltage / Overload / Over temp.
- Built-in remote sense function
- Built-in remote ON/OFF control
- Built-in parallel operation function
- Can adjust from 20~100% output voltage by external control 1~5VDC
- Forced air cooling by built-in DC fan
- 2 years warranty

AC input voltage range 90~130VAC / 180~260VAC selectable by switch
 AC inrush current Cold start, 60A at 230VAC
 DC adjustment range $\pm 5\%$ rated output voltage by potential meter
 20~100% by external control voltage 1~5 VDC
 Setup, rise, hold up time .. 800ms, 50ms, 16ms at full load and 230VAC
 Overload protection 110~135% constant current limiting, delay shutdown
 Over voltage protection 110~135% rated output voltage
 Withstand voltage I/P-O/P, I/P-FG: 1500VAC, 1minute
 Working temperature $-10^{\circ}\text{C}\sim+50^{\circ}\text{C}@100\%$, $65^{\circ}\text{C}@50\%$ load
 Safety standards UL60950-1, CSA22.2 for 600W only
 Packing 2.6kg ; 8pcs / 24kg / CTN

Stock No.	Model No.	Output	Tol.	R&N	Effi.
11002	SCN-600-05	5V, 0~100A	$\pm 1.5\%$	100mV	77%
11003	SCN-600-12	12V, 0~50.0A	$\pm 1.0\%$	120mV	80%
11004	SCN-600-15	15V, 0~40.0A	$\pm 1.0\%$	150mV	81%
11005	SCN-600-24	24V, 0~25.0A	$\pm 1.0\%$	240mV	85%
11006	SCN-600-48	48V, 0~12.0A	$\pm 1.0\%$	480mV	87%
11021	SCN-800-12	12V, 0~66.0A	$\pm 1.0\%$	150mV	80%
11022	SCN-800-15	15V, 0~54.0A	$\pm 1.0\%$	150mV	81%
11023	SCN-800-24	24V, 0~33.0A	$\pm 1.0\%$	240mV	85%
11024	SCN-800-48	48V, 0~16.6A	$\pm 1.0\%$	480mV	87%

1500W Single Output with Parallel Function

Parallel



291x 132x 132 mm

- AC input 200~260V only
- Protections: Short circuit / Over voltage / Overload / Over temp.
- Built-in remote sense function
- Built-in remote ON/OFF control
- Built-in parallel operation function
- Can adjust from 20~100% output voltage by external control 1~5VDC
- Forced air cooling by built-in DC fan
- 2 years warranty

AC input voltage range 200~260V
 AC inrush current Cold start, 120A at 230VAC
 DC adjustment range $\pm 5\%$ rated output voltage by potential meter
 20~100% by external control voltage 1~5 VDC
 Setup, rise, hold up time800ms, 50ms, 16ms at full load and 230VAC
 Overload protection 110~135% constant current limiting, delay shutdown
 Over voltage protection 110~135% rated output voltage
 Withstand voltage I/P-O/P, I/P-FG: 1500VAC, 1minute
 Working temperature $-10^{\circ}\text{C}\sim+50^{\circ}\text{C}@100\%$, $65^{\circ}\text{C}@50\%$ load
 Safety standards design refer to UL60950-1, CSA22.2
 Packing 4.75kg ; 4pcs / 20kg / CTN

Stock No.	Model No.	Output	Tol.	R&N	Effi.
11061	SCN-1K5-12	12V, 0~125A	$\pm 1\%$	120mV	83%
11062	SCN-1K5-15	15V, 0~100A	$\pm 1\%$	150mV	84%
11063	SCN-1K5-24	24V, 0~62.5A	$\pm 1\%$	240mV	85%
11064	SCN-1K5-48	48V, 0~32.0A	$\pm 1\%$	480mV	87%

1200W Single Output with Parallel Function

Parallel



291x 132x 132 mm

- AC input 200~260V only
- Protections: Short circuit / Over voltage / Overload / Over temp.
- Built-in remote sense function
- Built-in remote ON/OFF control
- Built-in parallel operation function
- Can adjust from 20~100% output voltage by external control 1~5VDC
- Forced air cooling by built-in DC fan
- 2 years warranty

AC input voltage range 200~260VAC
 AC inrush current Cold start, 120A at 230VAC
 DC adjustment range $\pm 5\%$ rated output voltage by potential meter
 20~100% by external control voltage 1~5 VDC
 Setup, rise, hold up time 800ms, 50ms, 16ms at full load and 230VAC
 Overload protection 110~135% constant current limiting, delay shutdown
 Over voltage protection 110~135% rated output voltage
 Withstand voltage I/P-O/P, I/P-FG: 1500VAC, 1minute
 Working temperature $-10^{\circ}\text{C}\sim+50^{\circ}\text{C}@100\%$, $65^{\circ}\text{C}@50\%$ load
 Safety standards UL60950-1, CSA22.2 approved
 Packing 4.75kg ; 4pcs / 20kg / CTN

Stock No.	Model No.	Output	Tol.	R&N	Effi.
11042	SCN-1K2-05	5V, 0~180A	$\pm 2.5\%$	100mV	77%
11043	SCN-1K2-12	12V, 0~100A	$\pm 1.0\%$	120mV	83%
11044	SCN-1K2-15	15V, 0~80.0A	$\pm 1.0\%$	150mV	85%
11045	SCN-1K2-24	24V, 0~50.0A	$\pm 1.0\%$	240mV	85%
11046	SCN-1K2-48	48V, 0~24.0A	$\pm 1.0\%$	480mV	87%

2000W Single Output with Parallel Function

Parallel



320x 212x 134 mm

- AC input 200~260VAC, 3 ϕ 3 wires
- Protections: Short circuit / Over voltage / Overload / Over temp.
- Built-in remote sense function
- Built-in remote ON/OFF control
- Built-in parallel operation function
- Can adjust from 20~100% output voltage by external control 1~5VDC
- Forced air cooling by built-in DC fan
- 2 years warranty

AC input voltage range 200~260VAC, 3 ϕ 3 wires (standard type)
 3 ϕ 4 wires / 1 ϕ 2 wires (option)
 AC inrush current Cold start, 120A at 230VAC
 DC adjustment range $\pm 5\%$ rated output voltage by potential meter
 20~100% by external control voltage 1~5 VDC
 Setup, rise, hold up time800ms, 50ms, 16ms at full load and 230VAC
 Overload protection 110~135% constant current limiting, delay shutdown
 Over voltage protection 110~135% rated output voltage
 Withstand voltage I/P-O/P, I/P-FG: 1500VAC, 1minute
 Working temperature $-10^{\circ}\text{C}\sim+50^{\circ}\text{C}@100\%$, $65^{\circ}\text{C}@50\%$ load
 Safety standards design refer to UL60950-1, CSA22.2
 Packing 9.0kg ; 1pcs / 10kg / CTN

Stock No.	Model No.	Output	Tol.	R&N	Effi.
11081	SCN-2K0-05	5V, 0~250A	$\pm 3\%$	150mV	78%
11082	SCN-2K0-12	12V, 0~167A	$\pm 2\%$	180mV	84%
11083	SCN-2K0-15	15V, 0~134A	$\pm 2\%$	200mV	84%
11084	SCN-2K0-24	24V, 0~83.5A	$\pm 1\%$	240mV	85%
11085	SCN-2K0-48	48V, 0~42.0A	$\pm 1\%$	480mV	86%

600W Parallel (N+1) with PFC Function



290x 120x 68 mm

- AC input 180~260 VAC only
- PF>0.98@ 230VAC
- Protections: Short circuit / Over voltage / Overload / Over temp.
- Built-in remote sense function
- Built-in remote ON/OFF control
- Built-in parallel operation function (N+1)
- Built-in power good signal output
- Can adjust from 20~100% output voltage by external control 1~5VDC
- Forced air cooling by built-in DC fan
- 3 years warranty

AC input voltage range 180~260VAC, 47~63Hz
 AC inrush current Cold start, 60A at 230VAC
 DC adjustment range ±3% rated output voltage by potential meter
 20~100% by external control voltage 1~5 VDC
 Setup, rise, hold up time 500ms, 250ms, 16ms at full load and 230VAC
 Overload protection 105~115% current limiting, delay shutdown
 Over voltage protection 110~135% rated output voltage
 Withstand voltage I/P-O/P:3kVAC, I/P-FG: 1.5kVAC, 1minute
 Working temperature -10°C~+50°C@100%, -20°C@80%,
 65°C@50% load
 Safety standards UL60950-1, TUV EN60950-1 approved
 EMC standards EN55022 class A, EN61000-3-2,3
 EN61000-4-2,3,4,5,6,8,11
 Packing 1.9kg ; 8pcs / 22kg / CTN

Stock No.	Model No.	Output	Tol.	R&N	Effi.
11091	SCP-600-05	5V, 0~100A	±1.5%	100mV	80%
11092	SCP-600-12	12V, 0~50.0A	±1.0%	120mV	84%
11093	SCP-600-15	15V, 0~40.0A	±1.0%	150mV	85%
11094	SCP-600-24	24V, 0~25.0A	±1.0%	240mV	89%
11095	SCP-600-48	48V, 0~12.0A	±1.0%	480mV	90%

800W Parallel (N+1) with PFC Function



290x 120x 68 mm

- AC input 180~260V only
- PF>0.98@ 230VAC
- Protections: Short circuit / Over voltage / Overload / Over temp.
- Built-in remote sense function
- Built-in remote ON/OFF control
- Built-in parallel operation function (N+1)
- Built-in power good signal output
- Can adjust from 20~100% output voltage by external control 1~5VDC
- Forced air cooling by built-in DC fan
- 3 years warranty

AC input voltage range 180~260VAC, 47~63Hz
 AC inrush current Cold start, 60A at 230VAC
 DC adjustment range ±3% rated output voltage by potential meter
 20~100% by external control voltage 1~5 VDC
 Setup, rise, hold up time 800ms, 400ms, 12ms at full load and 230VAC
 Overload protection 105~115% current limiting, delay shutdown
 Over voltage protection 110~135% rated output voltage
 Withstand voltage I/P-O/P:3kVAC, I/P-FG: 1.5kVAC, 1minute
 Working temperature -10°C~+50°C@100%, -20°C@80%,
 65°C@50% load
 Safety standards UL60950-1, TUV EN60950-1 approved
 EMC standards EN55022 class A, EN61000-3-2,3
 EN61000-4-2,3,4,5,6,8,11
 Packing 1.9kg ; 8pcs / 22kg / CTN

Stock No.	Model No.	Output	Tol.	R&N	Effi.
11102	SCP-800-12	12V, 0~66.0A	±1.0%	120mV	84%
11103	SCP-800-15	15V, 0~53.0A	±1.0%	150mV	85%
11104	SCP-800-24	24V, 0~33.0A	±1.0%	240mV	88%
11105	SCP-800-48	48V, 0~16.0A	±1.0%	480mV	89%

1200W Parallel (N+1) with PFC Function



290x 120x 132 mm

- AC input 180~260V only
- PF>0.98@ 230VAC
- Protections: Short circuit / Over voltage / Overload / Over temp.
- Built-in remote sense function
- Built-in remote ON/OFF control
- Built-in parallel operation function (N+1)
- Built-in power good signal output
- Can adjust from 20~100% output voltage by external control 1~5VDC
- Forced air cooling by built-in DC fan
- 3 years warranty

AC input voltage range 180~260VAC, 47~63Hz
 AC inrush current Cold start, 60A at 230VAC
 DC adjustment range ±3% rated output voltage by potential meter
 20~100% by external control voltage 1~5 VDC
 Setup, rise, hold up time 500ms, 200ms, 16ms at full load and 230VAC
 Overload protection 105~140% current limiting, delay shutdown
 Over voltage protection 110~135% rated output voltage
 Withstand voltage I/P-O/P:3kVAC, I/P-FG: 1.5kVAC, 1minute
 Working temperature -10°C~+50°C@100%, -20°C@80%, 65°C@50% load
 Safety standards UL60950-1, TUV EN60950-1 approved
 EMC standards EN55022 class A, EN61000-3-2,3
 EN61000-4-2,3,4,5,6,8,11
 Packing 5.0kg ; 4pcs / 21kg / CTN

Stock No.	Model No.	Output	Tol.	R&N	Effi.
11111	SCP-1K2-05	5V, 0~200A	±2.0%	100mV	80%
11112	SCP-1K2-12	12V, 0~100A	±1.0%	120mV	84%
11113	SCP-1K2-15	15V, 0~80.0A	±1.0%	150mV	85%
11114	SCP-1K2-24	24V, 0~50.0A	±1.0%	240mV	89%
11115	SCP-1K2-48	48V, 0~24.0A	±1.0%	480mV	90%

2400W Parallel (N+1) with PFC Function



350x 212x 124 mm

- AC input 180~260VAC, 3ø3 wires
- PF>0.98@ 230VAC
- Protections: Short circuit / Over voltage / Overload / Over temp.
- Built-in remote sense function
- Built-in remote ON/OFF control
- Built-in parallel operation function (N+1)
- Built-in power good signal output
- Can adjust from 20~100% output voltage by external control 1~5VDC
- Forced air cooling by built-in DC fan
- 3 years warranty

AC input voltage range 180~260VAC, 3ø3 wires (standard type)
 3ø4 wires, 1ø2 wires (option)
 AC inrush current Cold start, 60A at 230VAC
 DC adjustment range ±3% rated output voltage by potential meter
 20~100% by external control voltage 1~5 VDC
 Setup, rise, hold up time 800ms, 400ms, 12ms at full load and 230VAC
 Overload protection 110~140% current limiting, delay shutdown
 Over voltage protection 110~135% rated output voltage
 Withstand voltage I/P-O/P:3kVAC, I/P-FG: 1.5kVAC, 1minute
 Working temperature -10°C~+50°C@100%, -20°C@80%, 65°C@50% load
 Safety standards UL60950-1, TUV EN60950-1 approved
 EMC standards EN55022 class A, EN61000-3-2,3
 EN61000-4-2,3,4,5,6,8,11
 Packing 9.0kg ; 1pcs / 10kg / CTN

Stock No.	Model No.	Output	Tol.	R&N	Effi.
11122	SCP-2K4-12	12V, 0~200A	±1.0%	120mV	84%
11123	SCP-2K4-15	15V, 0~160A	±1.0%	150mV	85%
11124	SCP-2K4-24	24V, 0~100A	±1.0%	150mV	88%
11125	SCP-2K4-48	48V, 0~50.0A	±1.0%	200mV	89%

500W with PFC and Parallel Function



CASE: 919 278x 127x 63.5 mm

- Universal AC input / Full range
- PF>0.98@115VAC; >0.95@230VAC
- Protections: Short circuit / Overload / Over voltage / Over temp.
- Current sharing up to 2000W (3+1)
- Built-in remote sense function
- Built-in remote ON/OFF control
- Forced air cooling by built-in DC fan
- Power good and fail signal output
- **Open frame models available (option)**
- 3 years warranty

AC input voltage range 90~264VAC; 127~370VDC
 DC adjustment range ±10% rated output voltage
 Overload protection 110%~125% constant current, auto-recovery
 Over voltage protection 115%~140% rated output voltage
 Setup, rise, hold up time 1500ms, 50ms, 24ms at full load and 230VAC
 Withstand voltage I/P-O/P:3kVAC, I/P-FG:1.5kVAC, 1 minute
 Working temperature -10~60°C (refer to output derating curve)
 Safety standards UL60950-1, TUV EN60950-1 approved
 EMC standards EN55022 class B, EN61000-3-2,3, EN61000-4-2,3,4,5,6,8,11, ENV50204
 Packing 2.6kg ; 6pcs / 15.7kg / 0.89CUFT

Stock No.	Model No.	Output	Tol.	R&N	Effi.
10436	PSP-500-5	5V, 0~80.0A	±2%	100mV	76%
10431	PSP-500-12	12V, 0~41.5A	±1%	150mV	82%
10432	PSP-500-13.5	13.5V, 0~37.0A	±1%	150mV	82%
10437	PSP-500-15	15V, 0~33.0A	±1%	150mV	82%
10433	PSP-500-24	24V, 0~20.8A	±1%	150mV	84%
10434	PSP-500-27	27V, 0~18.5A	±1%	150mV	84%
10435	PSP-500-48	48V, 0~10.5A	±1%	200mV	86%

600W with PFC and Parallel Function



CASE: 910A 170x 120x 93 mm

- Universal AC input / Full range
- PF>0.99@115VAC; >0.95@230VAC
- Protections: Short circuit / Overload / Over voltage / Over temp.
- Forced air cooling by built-in DC fan
- Built-in remote sense and ON/OFF control
- With DC OK signal output
- Current sharing up to 2400W (3+1)
- 3 years warranty

AC input voltage range 88~264VAC; 124~370VDC
 AC inrush current Cold start, 20A at 115VAC, 40A at 230VAC
 DC adjustment range ±10% rated output voltage
 Overload protection 105%~135% constant current, auto-recovery
 Over voltage protection 115%~140% rated output voltage
 Withstand voltage I/P-O/P:3kVAC, I/P-FG:1.5kVAC, 1 minute
 Working temperature -20~60°C (refer to output derating curve)
 Safety standards UL60950-1, TUV EN60950-1 approved
 EMC standards EN55022 class B, EN61000-3-2,3, EN61000-4-2,3,4,5,6,8,11, ENV50204
 Connection 7+8P/ 9.5mm pitch terminal block with cover
 Packing 1.9kg ; 8pcs / 15.5kg / 1.06CUFT

Stock No.	Model No.	Output	Tol.	R&N	Effi.
11211	PSP-600-5	5V, 0~80.0A	±2%	180mV	79%
11212	PSP-600-12	12V, 0~50.0A	±1%	240mV	84%
11213	PSP-600-13.5	13.5V, 0~44.5A	±1%	240mV	85%
11214	PSP-600-15	15V, 0~40.0A	±1%	240mV	85%
11215	PSP-600-24	24V, 0~25.0A	±1%	240mV	86%
11216	PSP-600-27	27V, 0~22.2A	±1%	240mV	86%
11217	PSP-600-48	48V, 0~12.5A	±1%	300mV	87%

1000W with PFC and Parallel Function



CASE: 924 278x 129x 127 mm

- Universal AC input / Full range
- PF>0.98@115VAC; >0.95@230VAC
- Protections: Short circuit / Overload / Over voltage / Over temp.
- Current sharing up to 2000W (1+1)
- Built-in remote sense function
- Built-in remote ON/OFF control
- Forced air cooling by built-in DC fan
- 3 years warranty

AC input voltage range 90~264VAC; 127~370VDC
 DC adjustment range ±10% rated output voltage
 Overload protection 115%~140% constant current, auto-recovery
 Over voltage protection 115%~140% rated output voltage
 Setup, rise, hold up time 1500ms, 50ms, 24ms at full load and 230VAC
 Withstand voltage I/P-O/P:3kVAC, I/P-FG:1.5kVAC, 1 minute
 Working temperature -10~60°C (refer to output derating curve)
 Safety standards UL60950-1, TUV EN60950-1 approved
 EMC standards EN55022 class B, EN61000-3-2,3, EN61000-4-2,3,4,5,6,8,11, ENV50204
 Packing 5.2kg ; 3pcs / 16.3kg / 1.42CUFT

Stock No.	Model No.	Output	Tol.	R&N	Effi.
10561	PSP-1000-5	5V, 0~145A	±6%	100mV	77%
10562	PSP-1000-12	12V, 0~75.0A	±3%	150mV	84%
10563	PSP-1000-13.5	13.5V, 0~67.0A	±2%	150mV	84%
10564	PSP-1000-15	15V, 0~60.0A	±2%	150mV	84%
10565	PSP-1000-24	24V, 0~37.6A	±1%	150mV	86%
10566	PSP-1000-27	27V, 0~33.6A	±1%	150mV	86%
10567	PSP-1000-48	48V, 0~19.0A	±1%	200mV	86%

1000W with PFC and Parallel Function



CASE: 952B 295x 127x 41 mm

- 1U low profile
- Universal AC input / Full range
- PF>0.98@115VAC; >0.95@230VAC
- Protections: Short circuit / Overload / Over voltage / Over temp.
- High power density 10.7W/in³
- Output voltage can be trimmed between 40 ~ 110% of the rated output voltage
- Current sharing up to 4000W (3+1)
- DC OK signal
- Built-in remote sense and ON/OFF control
- Built-in 5V/0.5A auxiliary power
- 3 years warranty

AC input voltage range 90~264VAC; 127~370VDC
 DC adjustment range ±10% rated output voltage
 Overload protection 105%~125% constant current, auto-recovery
 Over voltage protection 115%~135% rated output voltage
 Setup, rise, hold up time 300ms, 50ms, 16ms at full load and 230VAC
 Withstand voltage I/P-O/P:3kVAC, I/P-FG:1.5kVAC, 1 minute
 Working temperature -20~50°C@100%, 60°C@60% load
 Safety standards UL60950-1, TUV EN60950-1 approved
 EMC standards EN55022 Class B conducted, EN61000-3-2,3, ENV50204, EN61000-4-2,3,4,5,6,8,11, EN61000-6-2
 Packing 1.95kg ; 6pcs / 12.7kg / 0.99CUFT

Stock No.	Model No.	Output	Tol.	R&N	Effi.
11451	RSP-1000-12	12V, 0~60A	±1%	150mV	83%
11452	RSP-1000-15	15V, 0~50A	±1%	150mV	85%
11453	RSP-1000-24	24V, 0~40A	±1%	150mV	88%
11454	RSP-1000-27	27V, 0~37A	±1%	150mV	88%
11455	RSP-1000-48	48V, 0~21A	±1%	150mV	90%

1500W Single Output with PFC Function



- AC input 176~264V only
- PF>0.95@230VAC
- Protections: Short circuit / Overload / Over voltage / Over temp.
- Built-in remote sense function
- Built-in remote ON/OFF control
- Forced air cooling by built-in DC fan
- 3 years warranty

AC input voltage range 176~264VAC; 248~370VDC
 DC adjustment range ±10% rated output voltage
 Overload protection 115%~140% constant current, auto-recovery
 Over voltage protection 115%~140% rated output voltage
 Setup, rise, hold up time1500ms, 50ms, 24ms at full load and 230VAC
 Withstand voltage I/P-O/P:3kVAC, I/P-FG:1.5kVAC, 1 minute
 Working temperature -10~60°C (refer to output derating curve)
 Safety standards UL60950-1, TUV EN60950-1 approved
 EMC standards EN55022 class B, EN61000-3-2,3, EN61000-4-2,3,4,5,6,8,11, ENV50204
 Packing 7.4kg ; 2pcs / 15.5kg / 1.28CUFT

Stock No.	Model No.	Output	Tol.	R&N	Effi.
10571	PSP-1500-5	5V, 0~217.5A	±6%	100mV	77%
10572	PSP-1500-12	12V, 0~112.5A	±3%	150mV	84%
10573	PSP-1500-13.5	13.5V, 0~100.5A	±2%	150mV	84%
10574	PSP-1500-15	15V, 0~90.0A	±2%	150mV	84%
10575	PSP-1500-24	24V, 0~56.4A	±1%	150mV	85%
10576	PSP-1500-27	27V, 0~50.4A	±1%	150mV	85%
10577	PSP-1500-48	48V, 0~28.5A	±1%	200mV	86%

1500W with PFC and Parallel Function



- Universal AC input / Full range
- PF>0.98@115VAC; >0.95@230VAC
- Protections: Short circuit / Overload / Over voltage / Over temp.
- Using ZVS technology to reduce power dissipation
- High power density 8.3W/in³
- Built-in 12V / 0.1A auxiliary output
- Alarm signal output
- DC output voltage adjustment 70~100% by external resistor
- Active current sharing up to 6000W (3+1)
- Built-in remote sense function
- Built-in remote ON/OFF control
- Forced air cooling by built-in DC fan
- 3 years warranty

AC input voltage range 90~264VAC; 127~370VDC
 DC adjustment range -30~+10% rated output voltage
 Overload protection 105%~135% constant current limiting, shut off after 5 sec.
 Over voltage protection 115%~140% rated output voltage
 Setup, rise, hold up time 1500ms, 100ms, 10ms at full load and 230VAC
 Withstand voltage I/P-O/P:3kVAC, I/P-FG:1.5kVAC, 1 minute
 Working temperature -20~70°C (refer to output derating curve)
 Safety standards UL60950-1, TUV EN60950-1 approved
 EMC standards EN55022 class B conducted, EN61000-3-2,3, EN61000-4-2,3,4,5,6,8,11, ENV50204
 Packing 2.6kg ; 6pcs / 16.6kg / 1.54CUFT

Stock No.	Model No.	Output	Tol.	R&N	Effi.
11231	RSP-1500-5	5V, 0~240A	±2%	150mV	80%
11232	RSP-1500-12	12V, 0~125A	±1%	150mV	87%
11233	RSP-1500-15	15V, 0~100A	±1%	150mV	87%
11234	RSP-1500-24	24V, 0~63A	±1%	150mV	90%
11235	RSP-1500-27	27V, 0~56A	±1%	150mV	90%
11236	RSP-1500-48	48V, 0~32A	±1%	200mV	91%

2400W with PFC and Parallel Function



- AC input 180~264V only
- Built-in active PFC function, PF>0.95
- Protections: Short circuit / Overload / Over voltage / Over temp. / Fan Alarm
- Forced air cooling by built-in DC with fan speed control function
- Output voltage can be trimmed between 20~110% of the rated output voltage
- High power density 12.5W/inch³
- Current sharing up to 2 units
- Alarm signal output (TTL signal & relay contact)
- Built-in 12V/0.1A auxiliary output for remote control
- Built-in remote ON-OFF control
- Built-in remote sense function
- 3 years warranty

AC input voltage range 180~264VAC; 254~370VDC
 DC adjustment range ±10% rated output voltage
 Overload protection 100%~110% constant current limiting, shut off after 5 sec., re-power on to recover (can adjust to continuous constant current limiting)
 Over voltage protection 115%~140% rated output voltage
 Setup, rise, hold up time 1000ms, 80ms, 10ms at full load and 230VAC
 Withstand voltage I/P-O/P:3kVAC, I/P-FG:1.5kVAC, 1 minute
 Working temperature -20~70°C (refer to output derating curve)
 Safety standards UL60950-1, TUV EN60950-1 pending
 EMC standards EN55022 class B, EN61000-3-2,3, EN61000-4-2,3,4,5,6,8,11, ENV50204
 Packing 3.8kg ; 4pcs / 16.2kg / 1.89CUFT

Stock No.	Model No.	Output	Tol.	R&N	Effi.
11741	RSP-2400-12	12V, 0~166.7A	±1%	150mV	86%
11742	RSP-2400-24	24V, 0~100A	±1%	150mV	89%
11743	RSP-2400-48	48V, 0~50A	±1%	200mV	90%

3000W with PFC and Parallel Function



- AC input 180~264V only
- Built-in active PFC function, PF>0.95
- Protections: Short circuit / Overload / Over voltage / Over temp. / Fan Alarm
- Forced air cooling by built-in DC with fan speed control function
- Output voltage can be trimmed between 20~110% of the rated output voltage
- High power density 15.6W/inch³
- Current sharing up to 2 units
- Alarm signal output (TTL signal & relay contact)
- Built-in 12V/0.1A auxiliary output for remote control
- Built-in remote ON-OFF control
- Built-in remote sense function
- 3 years warranty

AC input voltage range 180~264VAC; 254~370VDC
 DC adjustment range ±10% rated output voltage
 Overload protection 100%~110% constant current limiting, shut off after 5 sec., re-power on to recover (can adjust to continuous constant current limiting)
 Over voltage protection 115%~140% rated output voltage
 Setup, rise, hold up time 1000ms, 80ms, 10ms at full load and 230VAC
 Withstand voltage I/P-O/P:3kVAC, I/P-FG:1.5kVAC, 1 minute
 Working temperature -20~70°C (refer to output derating curve)
 Safety standards UL60950-1, TUV EN60950-1 approved
 EMC standards EN55022 class B, EN61000-3-2,3, EN61000-4-2,3,4,5,6,8,11, ENV50204
 Packing 4kg ; 4pcs / 16kg / 1.89CUFT

Stock No.	Model No.	Output	Tol.	R&N	Effi.
11751	RSP-3000-12	12V, 0~200A	±1%	150mV	86%
11752	RSP-3000-24	24V, 0~125A	±1%	150mV	89%
11753	RSP-3000-48	48V, 0~62.5A	±1%	200mV	90%

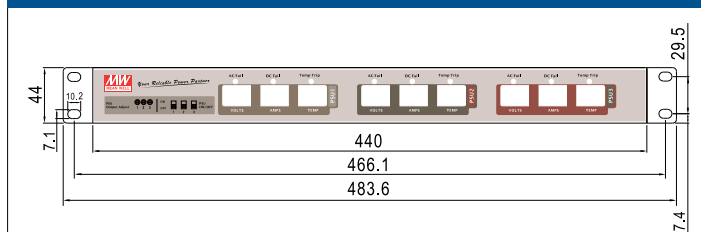
Power Control and Monitor Unit

- 1U low profile
- 19-inch rack mounting
- I²C decoder, control and monitor up to 3 RCP-1000-□-C units
- Suitable for all kinds of RCP output (12V,24V,48V)
- Digital meters for output voltage, output current, and internal temperature on front panel
- Potential meter for adjusting output voltage of RCP-1000 unit on front panel
- Relay contacts and LED indicators for AC fail, DC fail, and over temperature warning
- Removable fixing accessory
- 3 years warranty

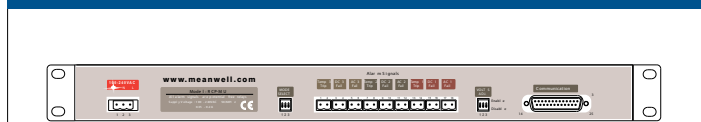
CE



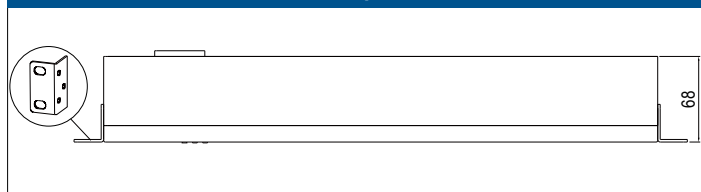
Front



Back



Top



- AC input voltage range 90~264VAC
- AC inrush current Cold start, 30A at 115VAC, 50A at 230VAC
- Relay contact rating 30VDC, 1A
- Working temperature -20~60°C
- Safety standards Design refer to UL60950-1, TUV EN60950-1
- Withstand voltage I/P-O/P:3kVAC, I/P-FG:1.5kVAC, O/P-FG:0.5kVAC
- Isolation resistance I/P-O/P, I/P-FG, O/P-FG: 100M Ohms/500VDC
- EMC standards Compliance to EN55022, EN61000-3-2,-3, EN61000-4-2,3,4,5,6,8,11
- Contection Screw DIN terminal for AC input and relay contact output; D-Type right angle 25 positions for communication port

Stock No.	Model No.	Application
11446	RCP-MU	Control and monitor RCP series

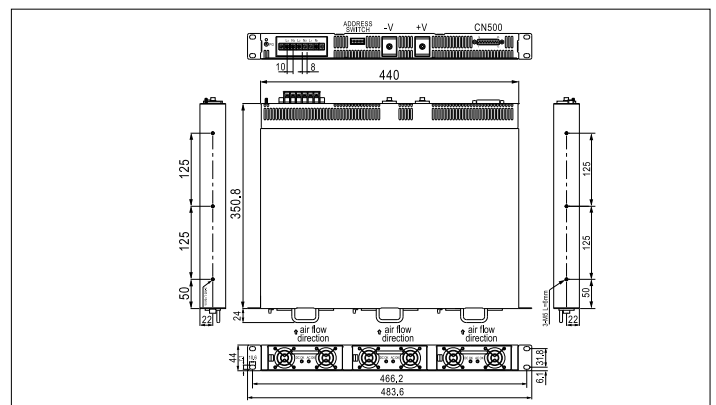
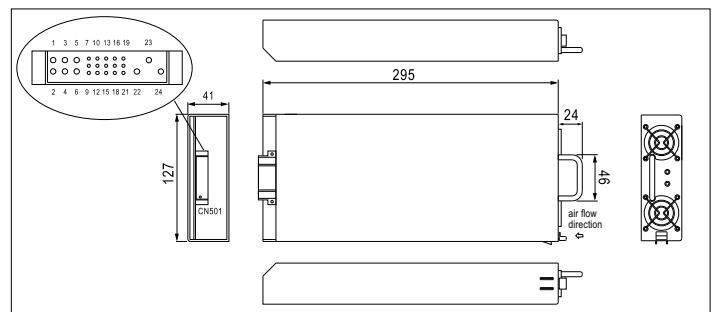
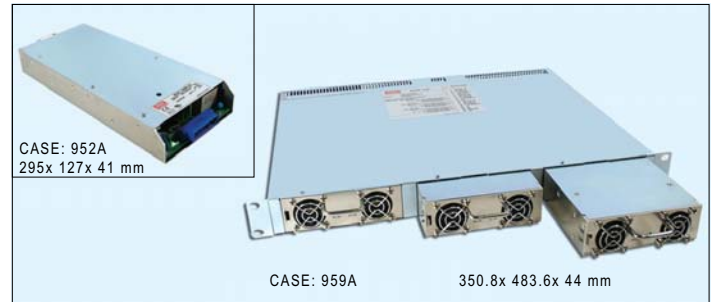


We are a TQM (Total Quality Management) company and ISO-9001 certified since 1994.

1000W 1U Rack Power System

- Universal AC input / Full range
- Built-in 5V/0.3A auxiliary power
- Built-in active PFC function, PF>0.96
- Protections: Short circuit / Overload Over voltage / Over temp.
- Forced air cooling by built-in DC fan
- High power density 10.7W/in³
- 1U low profile
- Output voltage can be trimmed between 90 ~ 110% of the rated output voltage
- Active current sharing up to 3000W (3 units) in one 19" rack, 3 racks max. can be operated in parallel(up to 8 units)
- Remote control for single unit
- Built-in remote sense function
- Hot-swap operation
- Internal oring diode
- AC OK and DC OK signal output
- Optional I²C serial data bus
- 3 years warranty

Parallel PFC c us CBCE



- AC input voltage range 90~264VAC
- DC adjustment range ±3% rated output voltage
- Overload protection 105%~125% constant current limiting, auto-recovery
- Over voltage protection 110%~135% rated output voltage
- Setup, rise, hold up time 1000ms, 60ms, 16ms at full load and 230VAC
- Withstand voltage I/P-O/P:3kVAC, I/P-FG:1.5kVAC, 1 minute
- Working temperature -20~50°C@100%, 60°C@60%
- Safety standards UL60950-1, TUV EN60950-1 approved
- EMC standards EN55022 Class B, EN61204-3, EN61000-3-2,-3, EN61000-4-2,3,4,5,6,8,11, ENV50204, EN61000-6-2 heavy industry level
- Packing 1.91kg (single unit) ; 11kg (rack with 3 units)

Stock No.	Model No.	Output	Tol.	R&N	Effi.
11441	RCP-1000-12	12V, 0~60A	±1%	150mV	81%
11442	RCP-1000-24	24V, 0~40A	±1%	200mV	87%
11443	RCP-1000-48	48V, 0~21A	±1%	300mV	89%
11444	RCP-1U□	19" 1U rack for RCP-1000 series			

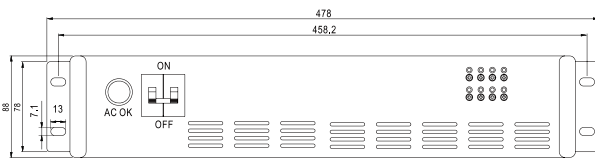
□ = I: AC inlet ; T: terminal block

Custom-Made 19" 2U Rack Power System

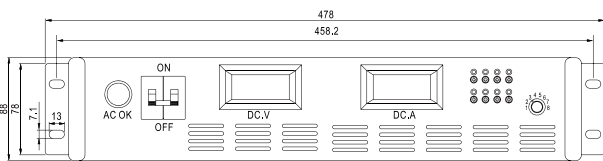
NEW

- Standard 19" 2U rack – 480 x 420 x 80mm
- Custom rack configurations available, 4500W max., up to 8 outputs
- LED indicators on front panel
- Meters for output voltage and current on front panel
- Front panel voltage adjustment
- Wide range of backplane connection option
- Choose from MEAN WELL's wide range of standard power supply
- Complete assembly and testing on your custom rack system
- Engineering support available to assist you in specifying your requirement
- 2 years warranty

Panel Type A: with power switch, LED indicators, and output adjustment potentiometers.



Panel Type B: with additional digital meters and selector switch.



Example

❖ 12V, 4500W 2U Rack System

- RSP-1500-12 x 3pcs
- LED indicators and front panel voltage adjustment
- Output voltage and current digital meters
- I/O interface:
 - AC Input – Terminal block
 - DC Output – Copper pillars
 - Single Output – Terminal block



We provide specification, drawing, test report and more information, please visit our website — <http://www.meanwell.com>



Customer Satisfaction —
Today's effort, tomorrow's reward. Continuously improve CQTS to satisfy customer is our goal.

Products under Development



QP-1000 series page 7
1000W quad output with PFC function

- Isolated outputs with independent PWM control, no minimum load required
- Programmable voltage function for CH3&4



SP-240 series page 13
240W single output with PFC function

- Built-in active PFC function, PF>0.95
- Forced air cooling by built-in DC fan



USP-150 series page 15
150W U-bracket single output with PFC function

- 300VAC surge input for 30 seconds
- 3 times high surge current for 30ms
- cooling by free air convection



SPV-150/300/600/1500 series page 18
150/300/600/1500W single output with programmable output voltage function

- Output voltage adjustable from 20~110% by 1~5.5VDC external control signal



ULP-150 series page 32
150W U-bracket single output with PFC function

- 300VAC surge input for 30 seconds
- 3 times high surge current for 30ms
- cooling by free air convection



SDR-120 series page 32
120W slim single output DIN Rail type

- Compel with GL and SEMI F47
- 150% peak load capability
- Built-in PFC function, PF>0.93



LPHC/LPLC-18 series page 32
18W economical class 2 LED power

- Built-in constant current limiting circuit (C.C. + C.V. mode)
- 180~264VAC input only (LPHC-18)
- 90~132VAC input only (LPLC-18)



PSC-40 series page 43
40W single output with battery charger

- Suitable for security industry
- 4"x2" compact size



PSC-100 series page 43
100W single output with battery charger

- Suitable for security industry
- High rating charging current
- Cooling by free air convection



AD-300 series page 43
300W single output with battery charger

- Suitable for security industry
- Built-in PFC function



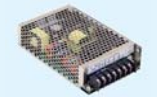
PAD-100 series page 46
100W single output with dual input source

- Dual input source: 90~264VAC or 36~75VDC
- Built-in PFC function for AC input
- Input mode indicating signal



GC200 series page 59
200W power adaptor with charging function

- No load power consumption < 0.5W
- Meet energy star level V



HRPG-75/100/200/450 series page 85
75/100/200/450W single output with PFC function

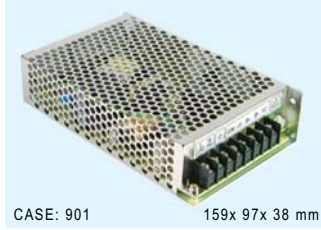
- 1U low profile, high reliability
- 5 years warranty



TN-3000 series page 89
3000W true sine wave solar inverter

- 2 times high surge output capability
- Selectable UPS and energy saving mode
- AC bypass function, fast transfer time <10ms
- Built-in AC and solar charger

55W 1~2 Output with Battery Charger



CASE: 901 159x 97x 38 mm

- Universal AC input / Full range
- Protections: Short circuit / Overload / Over voltage
- Battery low protection (except for ADS series)
- DC alarm signal (optional)
- Cooling by free air convection
- Fixed switching frequency at 45kHz
- Approvals: UL / CUL / TUV / CB / CE
- 100% full load burn-in test
- 2 years warranty

AC input voltage range 88~264VAC; 124~370VDC
 AC inrush current Cold start, 20A at 115VAC, 40A at 230VAC
 DC adjustment range 12V, 24V: $\pm 10\%$
 13.8V: 12~14.5V; 27.6V: 24~29V
 Overload protection 105~150% hiccup mode, auto-recovery
 Over voltage protection CH1: 105~135% rated output voltage
 Setup, rise, hold up time 800ms, 50ms, 80ms at full load and 230VAC
 Withstand voltage I/P-O/P:3kVAC, I/P-FG:1.5kVAC, 1minute
 Working temperature -10°C~60°C(refer to output derating curve)
 Safety standards UL60950-1, TUV EN60950-1 approved
 EMC standards EN55022 class B, EN61000-3-2,3,
 EN61000-4-2,3,4,5,6,8,11, ENV50204
 Connection 8P/ 8.25mm pitch terminal block
 Packing 0.57kg ; 24pcs / 13.7kg / 0.75CUFT

Single Output with 5V, 4A DC-DC Converter

Stock No.	Model No.	Output	Tol.	R&N	Effi.	Max.
10451	ADS-5512	12V, 0~4.0A	$\pm 1\%$	100mV	74%	51W
		5V, 0~4.0A	$\pm 3\%$	100mV		
10452	ADS-5524	24V, 0~2.5A	$\pm 1\%$	100mV	74%	58W
		5V, 0~4.0A	$\pm 3\%$	100mV		

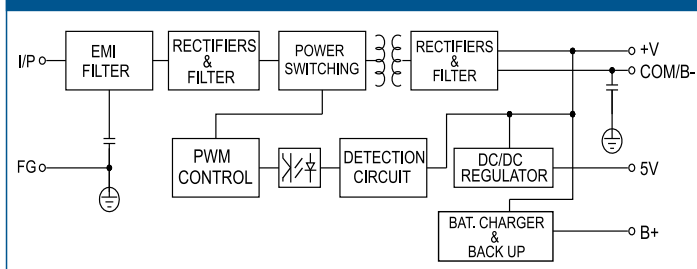
Single Output with Battery Charger (UPS Function)

Stock No.	Model No.	Output	Tol.	R&N	Effi.	Max.
10461	AD-55A	13.8V, 0~4.0A	$\pm 1\%$	100mV	71%	51W
		13.4V, 0~0.23A (Charger)				
10462	AD-55B	27.6V, 0~2.0A	$\pm 1\%$	100mV	74%	54W
		26.5V, 0~0.16A (Charger)				

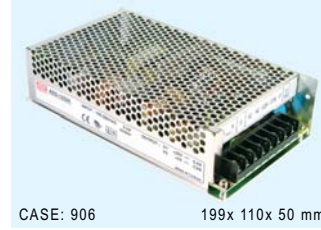
Dual Output with Battery Charger (UPS Function)

Stock No.	Model No.	Output	Tol.	R&N	Effi.	Max.
10471	ADD-55A	13.8V, 0~3.50A	$\pm 1\%$	100mV	71%	53W
		5V, 0~4.00A	$\pm 3\%$	100mV		
		13.4V, 0~0.23A (Charger)				
10472	ADD-55B	27.6V, 0~2.00A	$\pm 1\%$	150mV	74%	55W
		5V, 0~4.00A	$\pm 3\%$	150mV		
		26.5V, 0~0.16A (Charger)				

Block Diagram



155W 1~2 Output with Battery Charger and PFC Function



CASE: 906 199x 110x 50 mm

- Universal AC input / Full range
- PF>0.92@230VAC and full load
- Protections: Short circuit / Overload / Over voltage
- Battery low protection (except for ADS series)
- Cooling by free air convection
- Fixed switching frequency at 134kHz
- Approvals: UL / CUL / TUV / CB / CE
- 100% full load burn-in test
- 2 years warranty

AC input voltage range 88~264VAC; 124~370VDC
 AC inrush current Cold start, 20A at 115VAC, 40A at 230VAC
 DC adjustment range 12V, 24V, 48V: $\pm 10\%$
 13.8V: 12~14.5V; 27.6V: 24~29V; 54V: 48~58V
 Overload protection CH1,2: 105~135%, charger: 0.51~0.9A;
 constant current limiting, auto-recovery
 Over voltage protection CH1: 115~135% rated output voltage
 Setup, rise, hold up time ... 1000ms, 90ms, 24ms at full load and 230VAC
 Withstand voltage I/P-O/P:3kVAC, I/P-FG:1.5kVAC, 1minute
 Working temperature With fan:-10~50°C@100% , 60°C@80% load
 Without fan:-10~50°C@70% , 60°C@50% load
 Safety standards UL60950-1, TUV EN60950-1 approved
 EMC standards EN55022 class B, EN61000-3-2,3,
 EN61000-4-2,3,4,5,6,8,11, ENV50204
 Connection 8P/ 9.5mm pitch terminal block
 Packing 1.0kg ; 16pcs / 16.0kg / 0.95CUFT

Single Output with 5V, 3A DC-DC Converter

Stock No.	Model No.	Output	Tol.	R&N	Effi.	Max.
10481	ADS-15512	12V, 0~12.5A	$\pm 2\%$	150mV	77%	153W
		5V, 0~3.00A	$\pm 3\%$	100mV		
10482	ADS-15524	24V, 0~6.50A	$\pm 1\%$	150mV	82%	154W
		5V, 0~3.00A	$\pm 3\%$	100mV		
10483	ADS-15548	48V, 0~3.20A	$\pm 1\%$	240mV	82%	154W
		5V, 0~3.00A	$\pm 5\%$	100mV		

Single Output with Battery Charger (UPS Function)

Stock No.	Model No.	Output	Tol.	R&N	Effi.	Max.
10491	AD-155A	13.8V, 0~11.5A	$\pm 2\%$	150mV	80%	152W
		13.3V, 0~0.50A (Charger)				
10492	AD-155B	27.6V, 0~5.50A	$\pm 1\%$	150mV	84%	152W
		27.1V, 0~0.50A (Charger)				
10493	AD-155C	54.0V, 0~2.70A	$\pm 1\%$	240mV	84%	157W
		53.5V, 0~0.50A (Charger)				

Dual Output with Battery Charger (UPS Function)

Stock No.	Model No.	Output	Tol.	R&N	Effi.	Max.
10501	ADD-155A	13.8V, 0~10.5A	$\pm 1\%$	150mV	78%	153W
		5V, 0~3.00A	$\pm 3\%$	100mV		
		13.3V, 0~0.50A (Charger)				
10502	ADD-155B	27.6V, 0~5.00A	$\pm 1\%$	200mV	81%	153W
		5V, 0~3.00A	$\pm 3\%$	100mV		
		27.1V, 0~0.50A (Charger)				
10503	ADD-155C	54.0V, 0~2.50A	$\pm 1\%$	240mV	81%	150W
		5V, 0~3.00A	$\pm 5\%$	100mV		
		53.5V, 0~0.20A (Charger)				

60W Single Output with Battery Charger (UPS Function)

UL US CB CE



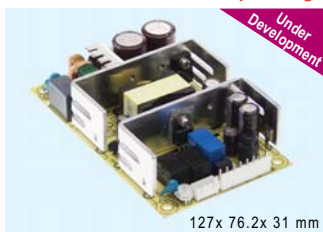
- Universal AC input / Full range
- 4"x 2" compact size
- Protections: Short circuit / Overload / Over voltage
- Battery low protection / Battery reverse polarity protection by fuse
- Alarm signal for AC OK and Battery low
- Cooling by free air convection
- 100% full load burn-in test
- 2 years warranty

AC input voltage range 90~264VAC; 127~370VDC
 AC inrush current Cold start, 30A at 115VAC, 60A at 230VAC
 DC adjustment range CH1, 13.8V: 12~15V; 27.6V: 24~29V
 Overload protection 105~150% hiccup mode, auto-recovery
 Over voltage protection CH1: 105~135% rated output voltage
 Setup, rise, hold up time 800ms, 50ms, 50ms at full load and 230VAC
 Withstand voltage I/P-O/P:3kVAC, I/P-FG:1.5kVAC, 1minute
 Working temperature -20°C~70°C(refer to output derating curve)
 Safety standards UL60950-1, TUV EN60950-1 approved
 EMC standards EN55022 class B, EN61000-3-2,3, EN61000-4-2,3,4,5,6,8,11, ENV50204
 Connection 3+6P/ 3.96mm pitch, JST: B3P/B6P-VH
 Packing 0.13kg ;96pcs / 13.5kg / 0.89CUFT

Stock No.	Model No.	Output	Tol.	R&N	Effi.	Max.
11981	PSC-60A	13.8V, 0~4.3A 13.8V, 0~1.50A (Charger)	±1%	120mV	84%	59W
11982	PSC-60B	27.6V, 0~2.15A 27.6V, 0~0.75A (Charger)	±1%	240mV	84%	59W

100W Single Output with Battery Charger (UPS Function)

UL / CUL / TUV / CB / CE pending



- Universal AC input / Full range
- 5"x3" compact size
- Protections: Short circuit / Overload / Over voltage
- Battery low protection / Battery reverse polarity protection by fuse
- Relay contact signal for AC OK and battery low
- Cooling by free air convection
- 100% full load burn-in test
- 2 years warranty

AC input voltage range 90~264VAC; 127~370VDC
 AC inrush current Cold start, 35A at 115VAC, 70A at 230VAC
 DC adjustment range CH1, 13.8V: 12~15V; 27.6V: 24~29V
 Overload protection 105~150% hiccup mode, auto-recovery
 Over voltage protection CH1: 105~135% rated output voltage
 Setup, rise, hold up time 2000ms, 40ms, 40ms at full load and 230VAC
 Withstand voltage I/P-O/P:3kVAC, I/P-FG:1.5kVAC, 1minute
 Working temperature -20°C~70°C(refer to output derating curve)
 Safety standards Design refer to UL60950-1, TUV EN60950-1
 EMC standards EN55022 class B, EN61000-3-2,3, EN61000-4-2,3,4,5,6,8,11, ENV50204
 Connection 3+8P/ 3.96mm pitch, 4P/2.5mm pitch, JST:B3P/B8P-VH, B4B-XH

Stock No.	Model No.	Output	Tol.	R&N	Effi.	Max.
11991	PSC-100A	13.8V, 0~7.0A 13.8V, 0~2.5A (Charger)	±1%	100mV	85%	100W
11992	PSC-100B	27.6V, 0~3.50A 27.6V, 0~1.25A (Charger)	±1%	100mV	87%	101W

Under Development

40W Single Output with Battery Charger (UPS Function)

- Universal AC input / Full range
- 4"x 2" compact size
- Protections: Short circuit / Overload / Over voltage
- Battery low protection / Battery reverse polarity protection by fuse
- Alarm signal for AC OK and battery low
- Cooling by free air convection
- DC output: 13.8V / 13.8V, 27.6V / 27.6V
- Low cost, high reliability
- Suitable for security industry
- Dimension(LxWxH)(mm): 101.6x 50.8x 29
- 2 years warranty

Under Development

300W Single Output with Battery Charger (UPS Function)

- Universal AC input / Full range
- Built-in PFC function
- Protections: Short circuit / Overload / Over voltage / Over temperature
Battery low / Battery reverse polarity
- Relay contact for AC OK and battery low
- Cooling by built-in DC fan
- DC output: 13.8V / 13.8V, 27.6V / 27.6V , 55.2V / 55.2V
- High reliability
- Suitable for security industry
- Dimension(LxWxH)(mm): 215x 115x 50
- 2 years warranty



Features

- Universal AC input / Full range
- Ultra-miniature size
- Protections: Short circuit / Overload / Over voltage
- No load power consumption <0.5W (<0.75W for 20W models)
- Fully isolated plastic case
- Isolation class II (5~15W)
- Low leakage current < 200uA (20W)
- Cooling by free air convection
- Medical safety approved
- Meet industrial, IT safety requirements
- 100% full load burn-in test
- 3 years warranty



PM-05 / 10 / 15 Series				PM-20 Series	
		5W	10W	15W	
	A	2.475" (62.85mm)	2.76" (70mm)	2.95" (75mm)	
	B	1.85" (47mm)	2.13" (54mm)	2.441" (62mm)	
	C	0.306" (7.8mm)	0.315" (8mm)	0.256" (6.5mm)	
	D	1.97" (50mm)	1.97" (50mm)	2.09" (53mm)	
	E	0.689" (17.5mm)	0.689" (17.5mm)	0.788" (20mm)	
	F	0.295" (7.5mm)	0.295" (7.5mm)	0.256" (6.5mm)	
	G	0.789" (20.04mm)	0.789" (20.04mm)	0.906" (23.01mm)	
	H	0.59" (15mm)	0.59" (15mm)	0.59" (15mm)	
	I	0.776" (19.7mm)	0.89" (22.7mm)	0.89" (22.7mm)	

General Specification

AC input voltage range 85~264VAC; 120~370VDC
 Frequency range 47-440Hz
 AC inrush current (max.) ... Cold start, 25A at 115VAC, 45A at 230VAC
 (PM-15 : 30A at 115VAC, 50A at 230VAC)
 (PM-20: 30A at 115VAC, 65A at 230VAC)
 Overload protection >105% hiccup mode, auto recovery
 Over voltage protection 115%~135% rated output voltage, shut off,
 AC recycle to re-start
 Setup, rise, hold up time ... 1000ms, 20ms, 100ms @ 230VAC
 (PM-20: 500ms, 20ms, 50ms @ 230VAC)
 Withstand voltage I/P-O/P: 4.0kVAC, 1 minute
 Working temperature -20°C~70°C (refer to output derating curve)
 Safety standards UL60601-1, TUV EN60601-1, UL60950-1 (PM-15)
 approved
 EMC standards EN55011, EN55022 Class B, EN61000-3-2,3
 EN61000-4-2,3,4,5,6,8,11, ENV50204, EN55024,
 EN60601-1-2, EN61204-3 Medical level, criteria A
 Connection 4 industrial pins (20W: 6 industrial pins)
 Packing 0.085kg ; 120pcs / 11.2kg / 0.97CUFT(PM-05)
 0.105kg ; 120pcs / 13.6kg / 0.97CUFT(PM-10)
 0.14kg ; 120pcs / 17.8kg / 0.97CUFT(PM-15)
 0.18kg ; 90pcs / 17.2kg / 0.97CUFT(PM-20)

PM-05 Series

Stock No.	Model No.	Output	Tol.	R&N	Effi.
12741	PM-05-3.3	3.3V, 0~1.25A	±3%	80mV	67%
12742	PM-05-5	5V, 0~1.00A	±2%	80mV	71%
12743	PM-05-12	12V, 0~0.42A	±2%	150mV	73%
12744	PM-05-15	15V, 0~0.33A	±2%	150mV	74%
12745	PM-05-24	24V, 0~0.23A	±2%	240mV	76%

PM-10 Series

Stock No.	Model No.	Output	Tol.	R&N	Effi.
12751	PM-10-3.3	3.3V, 0~2.50A	±3%	80mV	66%
12752	PM-10-5	5V, 0~2.00A	±2%	80mV	74%
12753	PM-10-12	12V, 0~0.85A	±2%	150mV	78%
12754	PM-10-15	15V, 0~0.67A	±2%	150mV	79%
12755	PM-10-24	24V, 0~0.42A	±2%	240mV	79%

PM-15 Series

Stock No.	Model No.	Output	Tol.	R&N	Effi.
12761	PM-15-3.3	3.3V, 0~3.50A	±3%	80mV	73%
12762	PM-15-5	5V, 0~3.00A	±2%	80mV	76%
12763	PM-15-12	12V, 0~1.25A	±2%	150mV	78%
12764	PM-15-15	15V, 0~1.00A	±2%	150mV	79%
12765	PM-15-24	24V, 0~0.63A	±2%	240mV	81%

PM-20 Series

Stock No.	Model No.	Output	Tol.	R&N	Effi.
12771	PM-20-3.3	3.3V, 0~4.50A	±3%	80mV	71%
12772	PM-20-5	5V, 0~4.40A	±2%	80mV	75%
12773	PM-20-12	12V, 0~1.80A	±2%	150mV	81%
12774	PM-20-15	15V, 0~1.40A	±2%	150mV	83%
12775	PM-20-24	24V, 0~0.92A	±2%	240mV	84%



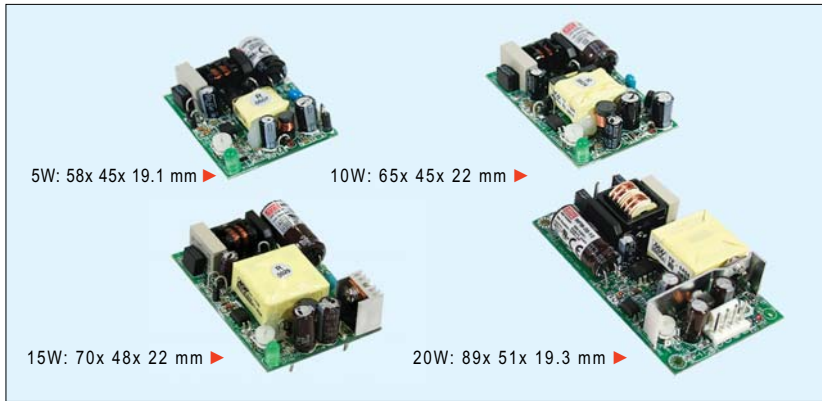
Energy Saving —

We care about energy saving. This logo represents that this model has "low no load power consumption"!



To Satisfy our customers is our goal —

- High Quality
- Low Cost
- Prompt Delivery
- Best Service



5W: 58x 45x 19.1 mm ▶

10W: 65x 45x 22 mm ▶

15W: 70x 48x 22 mm ▶

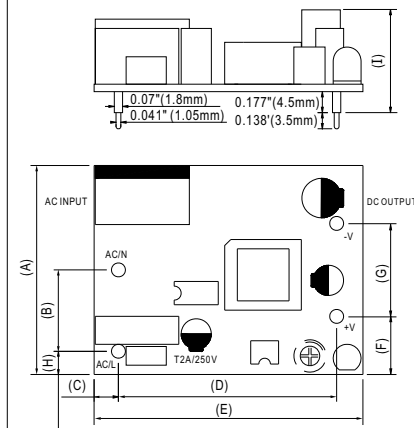
20W: 89x 51x 19.3 mm ▶

Features

- Universal AC input / Full range
- Ultra-miniature size, light weight
- Protections:
 - Short circuit / Overload / Over voltage / Over temp.
- No load power consumption <0.5W (<0.75W for 20W models)
- Isolation class II (5~15W)
- On-board type version available for 20W (option)
- Low leakage current < 200uA (20W)
- Cooling by free air convection
- Medical safety approved
- Meet industrial, IT safety requirements
- 100% full load burn-in test
- 3 years warranty

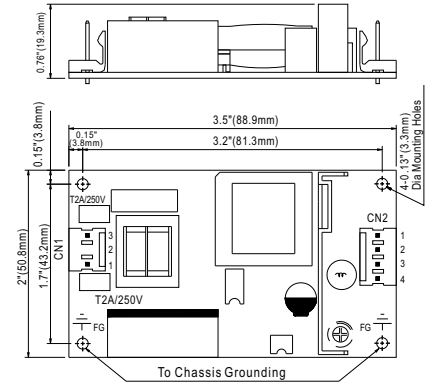


NFM-05 / 10 / 15 Series



	5W	10W	15W
A	1.77" (45mm)	1.77" (45mm)	1.89" (48mm)
B	0.689" (17.5mm)	0.689" (17.5mm)	0.788" (20mm)
C	0.21" (5.33mm)	0.22" (5.5mm)	0.157" (4mm)
D	1.85" (47mm)	2.13" (54mm)	2.441" (62mm)
E	2.28" (57.9mm)	2.56" (65mm)	2.75" (69.85mm)
F	0.491" (12.47mm)	0.491" (12.47mm)	0.492" (12.5mm)
G	0.789" (20.04mm)	0.789" (20.04mm)	0.906" (23.01mm)
H	0.196" (5mm)	0.196" (5mm)	0.157" (4mm)
I	0.75" (19.1mm)	0.87" (22mm)	0.87" (22mm)

NFM-20 Series



General Specification

- AC input voltage range 85~264VAC; 120~370VDC
- Frequency range 47-440Hz
- AC inrush current (max.) Cold start, 25A at 115VAC, 45A at 230VAC
(NFM-15: 30A at 115VAC, 50A at 230VAC)
(NFM-20: 30A at 115VAC, 65V at 230VAC)
- DC adjustment range ±10% rated output voltage
- Overload protection >105% hiccup mode, auto recovery
- Over voltage protection 115%~135% rated output voltage, shut off, AC recycle to re-start
- Over temp. protection U1, Tj: 140~160°C, power shutdown, recovers automatically after temperature goes down
- Setup, rise, hold up time 1000ms, 20ms, 100ms @ 230VAC
(NFM-20: 500ms, 20ms, 50ms @ 230VAC)
- Withstand voltage I/P-O/P: 4.0KVAC, 1 minute
- Working temperature -20°C~70°C (refer to output derating curve)
- Safety standards UL60601-1, TUV EN60601-1, UL60950-1 (NFM-15) approved
- EMC standards EN55011, EN55022 Class B, EN61000-3-2,3 EN61000-4-2,3,4,5,6,8,11, ENV50204, EN55024, EN60601-1-2, EN61204-3 Medical level, criteria A
- Connection 4 industrial pins for 5~15W
3P / 4P / 3.96mm pitch, Molex 41791-03/04 for 20W
- Packing 0.03kg ; 120pcs / 4.6kg / 0.97CUFT(NFM-05)
0.045kg ; 120pcs / 6.4kg / 0.97CUFT(NFM-10)
0.065kg ; 120pcs / 8.8kg / 0.97CUFT(NFM-15)
0.09kg ; 105pcs / 10.5kg / 0.97CUFT(NFM-20)

NFM-05 Series

Stock No.	Model No.	Output	Tol.	R&N	Effi.
12701	NFM-05-3.3	3.3V, 0~1.25A	±2%	80mV	67%
12702	NFM-05-5	5V, 0~1.00A	±2%	80mV	71%
12703	NFM-05-12	12V, 0~0.42A	±1%	150mV	73%
12704	NFM-05-15	15V, 0~0.33A	±1%	150mV	74%
12705	NFM-05-24	24V, 0~0.23A	±1%	240mV	76%

NFM-10 Series

Stock No.	Model No.	Output	Tol.	R&N	Effi.
12711	NFM-10-3.3	3.3V, 0~2.50A	±2%	80mV	66%
12712	NFM-10-5	5V, 0~2.00A	±2%	80mV	74%
12713	NFM-10-12	12V, 0~0.85A	±1%	150mV	78%
12714	NFM-10-15	15V, 0~0.67A	±1%	150mV	79%
12715	NFM-10-24	24V, 0~0.42A	±1%	240mV	79%

NFM-15 Series

Stock No.	Model No.	Output	Tol.	R&N	Effi.
12721	NFM-15-3.3	3.3V, 0~3.50A	±2%	80mV	73%
12722	NFM-15-5	5V, 0~3.00A	±2%	80mV	76%
12723	NFM-15-12	12V, 0~1.25A	±1%	150mV	78%
12724	NFM-15-15	15V, 0~1.00A	±1%	150mV	79%
12725	NFM-15-24	24V, 0~0.63A	±1%	240mV	81%

NFM-20 Series

Stock No.	Model No.	Output	Tol.	R&N	Effi.
12731	NFM-20-3.3	3.3V, 0~4.50A	±2%	80mV	71%
12732	NFM-20-5	5V, 0~4.40A	±2%	80mV	75%
12733	NFM-20-12	12V, 0~1.80A	±1%	150mV	81%
12734	NFM-20-15	15V, 0~1.40A	±1%	150mV	83%
12735	NFM-20-24	24V, 0~0.92A	±1%	240mV	84%



Energy Saving —

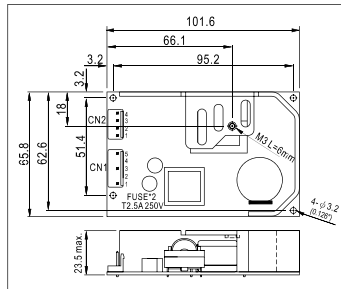
We care about energy saving. This logo represents that this model has "low no load power consumption"!

30W Single Output Medical Type

- Universal AC input / Full range
- Medical safety approved
- Protections: Short circuit / Overload / Over voltage / Over temp.
- Low leakage current $\leq 0.3\text{mA}$
- Compact size, low profile
- 100% full load burn-in test
- 3 years warranty



101.6x 65.8x 23.5 mm



- AC input voltage range 88~264VAC; 120~370VDC
 Overload protection >105% hiccup mode, auto-recovery
 Over voltage protection ... 110%~135% rated output voltage
 Leakage current Less than 0.3mA at 264VAC
 Withstand voltage I/P-O/P: 4kVAC, I/P-FG: 1.5kVAC, 1minute
 Working temperature 0~40°C@100%, -10°C@80%, 60°C@60% load
 Safety standards UL2601-1, TUV EN60601-1, IEC60601-1 approved
 EMC standards EN55011 class B, EN60601-1-2, EN61000-3-2,3, EN61000-4-2,3,4,5,6,8,11, ENV50204
 Connection 5+4P/ 3.96mm pitch, Molex P/N: 41791-05,04
 Packing 0.16kg ; 90pcs / 15.8kg / 1.02CUFT

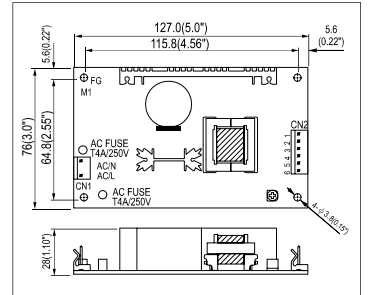
Stock No.	Model No.	Output	Tol.	R&N	Effi.
12371	MPS-30-5	5V, 0~5.0A	±3%	80mV	72%
12372	MPS-30-12	12V, 0~2.5A	±3%	120mV	75%
12373	MPS-30-15	15V, 0~2.0A	±3%	150mV	76%
12374	MPS-30-24	24V, 0~1.2A	±3%	240mV	77%
12375	MPS-30-27	27V, 0~1.1A	±3%	240mV	78%
12376	MPS-30-48	48V, 0~0.6A	±2%	240mV	78%

45W 1~3 Output Medical Type

- Universal AC input / Full range
- Medical safety approved
- Protections: Short circuit / Overload / Over voltage
- Low leakage current $\leq 0.3\text{mA}$
- Approvals: UL / CUL / TUV / CB / CE
- Fixed switching frequency at 45kHz
- 100% full load burn-in test
- 3 years warranty



127x 76x 28 mm



- AC input voltage range 90~264VAC; 120~370VDC
 AC inrush current Cold start, 20A at 115VAC, 40A at 230VAC
 DC adjustment range CH1: ±10% rated output voltage
 Overload protection 53~75W hiccup mode, auto-recovery
 Over voltage protection ... CH1: 115%~135% rated output voltage
 Leakage current Less than 0.3mA at 264VAC
 Setup, rise, hold up time .. 800ms, 30ms, 50ms at full load and 230VAC
 Withstand voltage I/P - O/P: 4kVAC, I/P - FG: 1.5kVAC, 1 minute
 Working temperature -10°C~60°C (refer to output derating curve)
 Safety standards UL2601-1, TUV EN60601-1, IEC60601-1 approved
 EMC standards EN55011 class B, EN61000-4-2,3,4,5,6,8,11, EN61000-3-2,3, EN60601-1-2, ENV50204
 Connection 2P,6P/ 3.96mm pitch, Molex P/N: 5277-02, 5273-06
 Packing 0.18kg ; 72pcs/ 15.1kg / 1.35CUFT (MPS-45)
 0.20kg ; 72pcs/ 17.4kg / 1.35CUFT (MPD-45)
 0.21kg ; 72pcs/ 18.0kg / 1.35CUFT (MPT-45)

Single Output

Stock No.	Model No.	Output	Tol.	R&N	Effi.
12381	MPS-45-3.3	3.3V, 0~8.0A	±3%	80mV	65%
12382	MPS-45-5	5V, 0~8.0A	±3%	100mV	72%
12383	MPS-45-7.5	7.5V, 0~5.4A	±3%	100mV	75%
12384	MPS-45-12	12V, 0~3.7A	±2%	100mV	76%
12385	MPS-45-13.5	13.5V, 0~3.3A	±2%	100mV	76%
12386	MPS-45-15	15V, 0~3.0A	±2%	100mV	77%
12387	MPS-45-24	24V, 0~1.9A	±2%	100mV	78%
12388	MPS-45-27	27V, 0~1.7A	±2%	100mV	78%
12389	MPS-45-48	48V, 0~1.0A	±2%	100mV	78%

Dual Output

Stock No.	Model No.	Output	Tol.	R&N	Effi.	Max.
12401	MPD-45A	5V, 0.4~5.0A	±4%	60mV	76%	40W
		12V, 0.2~2.5A	±7%	120mV		
12402	MPD-45B	5V, 0.4~5.0A	±4%	60mV	78%	45W
		24V, 0.2~1.8A	±7%	150mV		

Triple Output

Stock No.	Model No.	Output	Tol.	R&N	Effi.	Max.
12411	MPT-45A	5V, 0.4~5.0A	±4%	60mV	73%	41W
		12V, 0.2~2.5A	±7%	120mV		
		-5V, 0.0~0.5A	±5%	60mV		
12412	MPT-45B	5V, 0.4~5.0A	±4%	60mV	75%	43W
		12V, 0.2~2.5A	±7%	120mV		
		-12V, 0.0~0.5A	±5%	100mV		
12413	MPT-45C	5V, 0.4~5.0A	±4%	60mV	75%	44W
		15V, 0.2~2.3A	±7%	120mV		
		-15V, 0.0~0.5A	±5%	100mV		

100W Single Output with Dual Input Source

Under Development

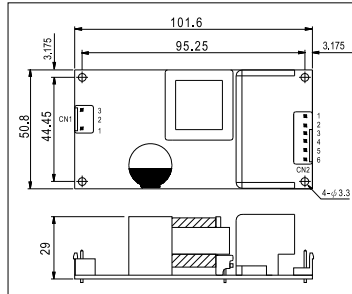
- Dual input source: 90~264VAC or 36~75VDC
- Built-in PFC function for AC input
- Input mode indicating signal
- LED indicator for power on
- Protections: Short circuit / Overload / Over voltage
- Cooling by free air convection
- DC output: 12V / 24V
- Dimension(LxWxH)(mm): 232x 65x 38
- 2 years warranty

60W 1~3 Output Medical Type

- 4"x2" miniature size
- Universal AC input / Full range
- Medical safety approved
- Protections: Short circuit / Overload / Over voltage
- No load power consumption <0.75W (single output models only)
- Low leakage current <200uA
- 110% peak load capability
- High power density 6.57W/in³
- Cooling by free air convection
- 3 years warranty
- Suitable for medical & IT applications



101.6x 50.8x 29 mm



AC input voltage range90~264VAC; 127~370VDC
 AC inrush currentCold start, 30A at 115VAC, 60A at 230VAC
 DC adjustment range-5 ~ +10% rated output voltage (single output only)
 Overload protection115~150% hiccup mode, auto-recovery
 Over voltage protection CH1: 110%~135% rated output voltage
 Leakage currentLess than 200uA at 264VAC
 Setup, rise, hold up time .. 500ms, 30ms, 50ms at full load and 230VAC (RPS-60)
 200ms, 15ms, 70ms at full load and 230VAC (RPD/T-60)
 Withstand voltage I/P - O/P: 4kVAC, I/P - FG: 1.5kVAC, 1 minute
 Working temperature-20°C~70°C (refer to output derating curve)
 Safety standardsUL60601-1, UL60950-1, TUV EN60601-1, EN60950-1 approved
 EMC standardsEN55011 / EN55022 class B, EN61000-3-2,-3, EN61000-4-2,3,4,5,6,8,11, ENV50204, EN61000-6-2, EN60601-1-2, EN61204-3 medical level
 Connection 3,4P / 3.96mm pitch, JST P/N: B3P / B4P-VH (RPS-60)
 3,6P / 3.96mm pitch, JST P/N: B3P / B6P-VH (RPD/T-60)
 Packing 0.15kg ; 96pcs / 15.4kg / 0.89CUFT

Single Output

Stock No.	Model No.	Output	Tol.	R&N	Effi.
12781	RPS-60-3.3	3.3V, 0~11A	±2%	80mV	74%
12782	RPS-60-5	5V, 0~11A	±2%	80mV	79%
12783	RPS-60-12	12V, 0~5.5A	±2%	120mV	83%
12784	RPS-60-15	15V, 0~4.4A	±2%	150mV	84%
12785	RPS-60-24	24V, 0~2.75A	±1%	240mV	85%
12786	RPS-60-48	48V, 0~1.375A	±1%	300mV	86%

Dual Output

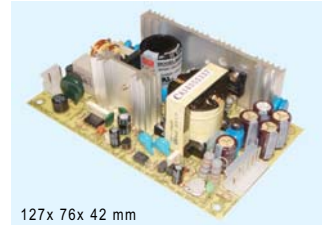
Stock No.	Model No.	Output	Tol.	R&N	Effi.	Max.
12791	RPD-60A	5V, 0.5~5.5A	+3%,-2%	80mV	78%	54W
		12V, 0.1~2.2A	±6%	80mV		
12792	RPD-60B	5V, 0.5~3.85A	+3%,-2%	80mV	82%	59W
		24V, 0.1~1.65A	+8%,-4%	100mV		

Triple Output

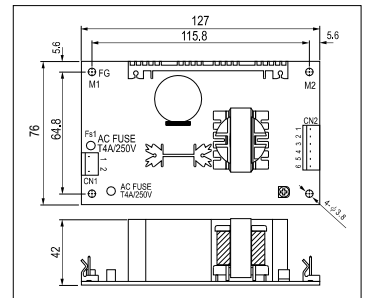
Stock No.	Model No.	Output	Tol.	R&N	Effi.	Max.
12801	RPT-60A	5V, 0.5~4.4A	+3%,-2%	80mV	77%	51W
		12V, 0.1~2.2A	±6%	80mV		
		-5V, 0.1~0.55A	+9%,-8%	80mV		
12802	RPT-60B	5V, 0.5~4.4A	+3%,-2%	80mV	78%	55W
		12V, 0.1~2.2A	±6%	80mV		
		-12V, 0.1~0.55A	+6%,-10%	100mV		
12803	RPT-60C	5V, 0.5~4.4A	+3%,-2%	80mV	79%	55W
		15V, 0.1~0.65A	±6%	100mV		
		-15V, 0.1~0.55A	±8%	150mV		
12804	RPT-60D	5V, 0.5~3.85A	+3%,-2%	80mV	79%	52W
		24V, 0.1~1.1A	±6%	150mV		
		12V, 0.1~0.55A	±8%	80mV		
12805	RPT-6003	3.3V, 0.5~5.5A	+3%,-2%	80mV	75%	44W
		5V, 0.3~3.3A	±8%	80mV		
		12V, 0.1~0.77A	+6%,-10%	80mV		

65W 1~3 Output Medical Type

- Universal AC input / Full range
- Medical safety approved
- Protections: Short circuit / Overload / Over voltage
- Low leakage current ≤0.3mA
- Fixed switching frequency at 45kHz
- 100% full load burn-in test
- 3 years warranty



127x 76x 42 mm



AC input voltage range 90~264VAC; 127~370VDC
 AC inrush current Cold start, 20A at 115VAC, 40A at 230VAC
 DC adjustment range CH1: ±10% rated output voltage
 Overload protection 73~105% hiccup mode, auto-recovery
 Over voltage protection CH1: 115%~135% rated output voltage
 Leakage current Less than 0.3mA at 264VAC
 Setup, rise, hold up time .. 800ms, 30ms, 50ms at full load and 230VAC
 Withstand voltage I/P-O/P: 4kVAC, I/P-FG: 1.5kVAC, 1 minute
 Working temperature -10°C~ +60°C (refer to output derating curve)
 Safety standards UL2601-1, TUV EN60601-1, IEC60601-1 approved
 EMC standards EN55011 class B, EN61000-4-2,3,4,5,6,8,11, EN61000-3-2,3, EN60601-1-2, ENV50204
 Connection 2P, 6P/ 3.96mm pitch, Molex: 5277-02, 5273-06
 Packing 0.23kg ; 54pcs/ 14.6kg / 1.35CUFT (MPS-65)
 0.25kg ; 54pcs/ 16.0kg / 1.35CUFT (MPD-65)
 0.27kg ; 54pcs/ 16.8kg / 1.35CUFT (MPT-65)

Single Output

Stock No.	Model No.	Output	Tol.	R&N	Effi.
12421	MPS-65-3.3	3.3V, 0~12A	±3%	80mV	66%
12422	MPS-65-5	5V, 0~12A	±3%	100mV	74%
12423	MPS-65-7.5	7.5V, 0~8.0A	±3%	100mV	76%
12424	MPS-65-12	12V, 0~5.2A	±2%	100mV	77%
12425	MPS-65-13.5	13.5V, 0~4.7A	±2%	100mV	78%
12426	MPS-65-15	15V, 0~4.2A	±2%	100mV	79%
12427	MPS-65-24	24V, 0~2.7A	±2%	100mV	80%
12428	MPS-65-27	27V, 0~2.4A	±2%	100mV	80%
12429	MPS-65-48	48V, 0~1.35A	±2%	100mV	80%

Dual Output

Stock No.	Model No.	Output	Tol.	R&N	Effi.	Max.
12441	MPD-65A	5V, 0.4~7.0A	±4%	60mV	75%	61W
		12V, 0.2~3.2A	±7%	150mV		
12442	MPD-65B	5V, 0.4~6.0A	±4%	60mV	78%	66W
		24V, 0.2~2.6A	±7%	150mV		

Triple Output

Stock No.	Model No.	Output	Tol.	R&N	Effi.	Max.
12451	MPT-65A	5V, 0.4~7.0A	±4%	60mV	74%	60W
		12V, 0.2~3.2A	+10%,-7%	120mV		
		-5V, 0.0~0.7A	±5%	60mV		
12452	MPT-65B	5V, 0.4~7.0A	±4%	60mV	74%	64W
		12V, 0.2~3.2A	+10%,-7%	160mV		
		-12V, 0.0~0.7A	±5%	100mV		
12453	MPT-65C	5V, 0.4~7.0A	±4%	60mV	74%	65W
		15V, 0.2~2.6A	+10%,-7%	180mV		
		-15V, 0.0~0.7A	±5%	100mV		



Energy Saving —

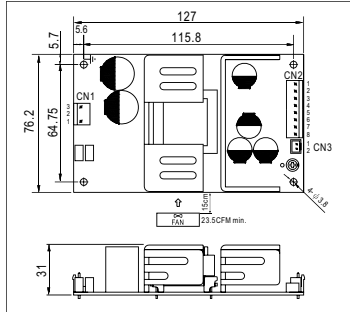
We care about energy saving. This logo represents that this model has "low no load power consumption"!

75W 1~3 Output Medical Type

- Universal AC input / Full range
- Medical safety approved
- Protections: Short circuit / Overload / Over voltage
- No load power consumption <0.75W (single output models only)
- Low leakage current <200uA
- Fixed switching frequency at 65kHz
- Free air convection for 75W and 100W with 23.5CFM forced air
- 3 years warranty
- Suitable for medical & IT applications



127x 76.2x 31 mm



AC input voltage range 90~264VAC; 127~370VDC
 AC inrush current Cold start, 25A at 115VAC, 50A at 230VAC
 DC adjustment range CH1: -5 ~ +10% rated output voltage
 Overload protection 140~180% hiccup mode, auto-recovery
 Over voltage protection CH1: 115%~135% rated output voltage
 Leakage current Less than 200uA at 264VAC
 Setup, rise, hold up time 500ms, 30ms, 80ms at full load and 230VAC
 Withstand voltage I/P-O/P: 4kVAC, I/P-FG: 1.5kVAC, 1 minute
 Working temperature -20°C ~ +70°C (refer to output derating curve)
 Safety standards UL60601-1, TUV EN60601-1 approved
 EMC standards EN55011 / EN55022 class B, EN61000-3-2,-3, EN61000-4-2,3,4,5,6,8,11, ENV50204, EN61000-6-2, EN60601-1-2, EN61204-3 medical level
 Connection 3+8P / 3.96mm pitch, JST P/N: B3P / B8P-VH
 Packing 0.23kg / 63pcs / 15.5kg / 1.35CUFT

Single Output

Stock No.	Model No.	Output	Tol.	R&N	Effi.
12811	RPS-75-3.3	3.3V, 0~20A	±2%	80mV	73%
12812	RPS-75-5	5V, 0~18.7A	±2%	80mV	78%
12813	RPS-75-12	12V, 0~8.3A	±1%	120mV	82%
12814	RPS-75-15	15V, 0~6.7A	±1%	150mV	83%
12815	RPS-75-24	24V, 0~4.2A	±1%	240mV	85%
12816	RPS-75-36	36V, 0~2.8A	±1%	300mV	86%
12817	RPS-75-48	48V, 0~2.1A	±1%	300mV	86%

Dual Output

Stock No.	Model No.	Output	Tol.	R&N	Effi.	Max.
12821	RPD-75A	5V, 1.0~9.5A	±2%	80mV	77%	96W
		12V, 0.3~4.0A	±6%	120mV		
12822	RPD-75B	5V, 1.0~6.8A	±2%	80mV	79%	99W
		24V, 0.2~2.7A	±6%	200mV		

Triple Output

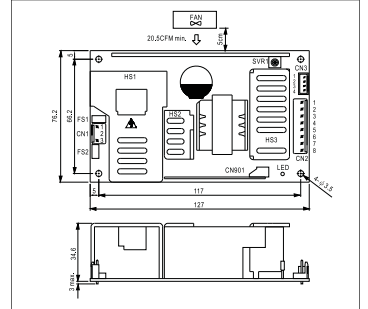
Stock No.	Model No.	Output	Tol.	R&N	Effi.	Max.
12831	RPT-75A	5V, 0.6~8.0A	±2%	80mV	76%	93W
		12V, 0.2~4.0A	±6%	120mV		
		-5V, 0.1~1.0A	±5%	120mV		
12832	RPT-75B	5V, 0.6~8.0A	±2%	80mV	77%	100W
		12V, 0.2~4.0A	±6%	120mV		
		-12V, 0.1~1.0A	±5%	120mV		
12833	RPT-75C	5V, 0.6~8.0A	±2%	80mV	77%	100W
		15V, 0.1~3.0A	±8%	150mV		
		-15V, 0.1~1.0A	±5%	150mV		
12834	RPT-75D	5V, 0.6~7.0A	±2%	80mV	79%	95W
		24V, 0.1~2.0A	±8%	200mV		
		12V, 0.1~1.0A	±8%	120mV		
12835	RPT-7503	3.3V, 0.7~7.0A	±4%	80mV	74%	81W
		5V, 0.0~8.0A	±6%	120mV		
		12V, 0.0~1.5A +10%,-6%	120mV			

160W Medical Type with PFC Function

- Universal AC input / Full range
- Built-in active PFC function
- Protections: Short circuit / Overload / Over voltage / Over temperature
- Free air convection for 110W and 160W with 20.5 CFM forced air (RPS-160); Free air convection for 100W and 150W with 20.5 CFM forced air (RPD / T-160)
- 5"x3" compact size
- With power good and fail signal output
- Built-in remote sense function for 5~15V (RPS-160)
- Standby 5V@0.8A (G model)
- No load power consumption under 0.75W by PS-ON control (G model)
- 3 years warranty



127x 76.2x 33mm



AC input voltage range 90~264VAC; 127~370VDC
 AC inrush current Cold start, 35A at 115VAC, 70A at 230VAC
 DC adjustment range RPS-160: ±10% rated output voltage
 RPD/T-160: 0~+10% for CH1
 Overload protection 105~135% hiccup mode, auto-recovery
 Over voltage protection CH1: 115%~135% shut off, re-power on to recover
 Leakage current Less than 300uA at 240VAC
 Setup, rise, hold up time 1200ms, 30ms, 16ms at full load and 230VAC
 Withstand voltage I/P - O/P: 4kVAC, I/P - FG: 1.5kVAC, 1 minute
 Working temperature -20°C~70°C (refer to output derating curve)
 Safety standards UL60601-1, TUV EN60601-1 approved
 EMC standards EN55011/EN55022 class B, EN61000-4-2,3,4,5,6,8,11, EN61000-3-2,3, EN60601-1-2, ENV50204, EN61000-6-2 (RPS(G)-160)
 Connection 3+8+2(4)P/3.96mm pitch JST B3P / B8P-VH, B2B (B4B)-XH

Single Output

Stock No.	Model No.	Output	Tol.	R&N	Effi.
12841	RPS□-160-5	5V, 0~30.0A	±4%	100mV	85%
12842	RPS□-160-12	12V, 0~12.9A	±3%	100mV	87%
12843	RPS□-160-15	15V, 0~10.3A	±3%	120mV	87%
12844	RPS□-160-24	24V, 0~6.5A	±2%	150mV	87%
12845	RPS□-160-48	48V, 0~3.25A	±2%	250mV	88%

Dual Output

Stock No.	Model No.	Output	Tol.	R&N	Effi.	Max.
12851	RPD□-160B	5V, 1.0~12A	±2.5%	80mV	84%	150W
		24V, 0.2~3.6A	±6%	200mV		

Triple Output

Stock No.	Model No.	Output	Tol.	R&N	Effi.	Max.
12861	RPT□-160A	5V, 0.6~14A	±2%	100mV	84%	141W
		12V, 0.2~5.5A	±5%	120mV		
		-5V, 0.1~1.0A	-5%,+7%	120mV		
12862	RPT□-160B	5V, 0.6~14A	±2%	100mV	84%	142W
		12V, 0.2~5.0A	±5%	120mV		
		-12V, 0.1~1.0A	-4%,+5%	120mV		
12863	RPT□-160C	5V, 0.6~14A	±2%	100mV	83%	139W
		15V, 0.1~3.6A	±4%	150mV		
		-15V, 0.1~1.0A	-5%,+7%	150mV		
12864	RPT□-160D	5V, 0.3~11A	±2%	100mV	83%	144W
		12V, 0.2~5.0A	±5%	120mV		
		24V, 0.15~1.2A	±4%	200mV		

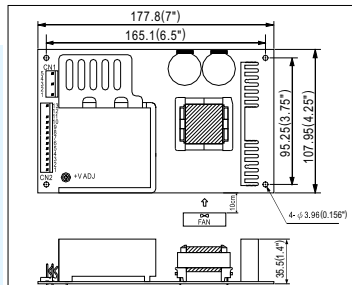
□ = blank, G; blank: basic function, G: with 5Vsb/0.8A & no load power consumption < 0.75W

120 & 200W 1~4 Output Medical Type

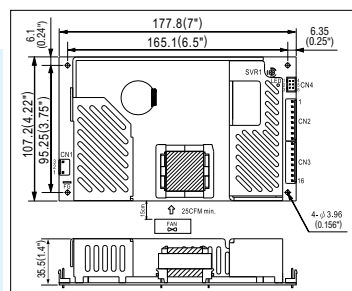
- Universal AC input / Full range
- PF > 0.95@230VAC (200W)
- Protections: Short circuit / Overload / Over voltage / OTP (200W)
- Leakage current ≤ 180uA
- Built-in remote sense and remote ON/OFF control (200W)
- PG / PF signal output (optional for 120W)
- 80W / 140W free air convection, 120W / 200W with 25CFM forced air
- 100% full load burn-in test
- 3 years warranty
- Suitable for medical & IT applications



120W
177.8x 108x 35.5mm



200W
177.8x 107.2x 35.5mm



- AC input voltage range 90~264VAC; 127~370VDC
 AC inrush current Cold start, 35A at 115VAC, 60A at 230VAC
 DC adjustment range CH1: -5~+10% rated output voltage
 Overload protection 110~160% hiccup mode, auto-recovery
 Over voltage protection CH1: 115%~140% rated output voltage
 Leakage current Less than 180uA at 264VAC
 Setup, rise, hold up time 1000ms, 20ms, 16ms at full load and 230VAC
 Withstand voltage I/P - O/P: 4kVAC, I/P - FG: 1.5kVAC, 1 minute
 Working temperature -20°C~70°C (refer to output derating curve)
 Safety standards UL60601-1, TUV EN60601-1, IEC60601-1 approved;
 Design refer to UL60950-1, TUV EN60950-1
 EMC standards EN55011/EN55022 class B,
 EN61000-4-2,3,4,5,6,8,11, EN61000-3-2,3,
 EN60601-1-2, ENV50204, EN61000-6-2
 Connection 5P, 13P / 3.96mm pitch, Molex 5273-05, 5273-13 (120W)
 3P, 20P / 3.96mm pitch, JST B3P/VH, Molex 5566-20 (MPS-200)
 3P, 8Px2 / 3.96mm pitch, JSTB3P / B8Px2-VH (MPD/T/Q-200)
 Packing 0.55kg / 24pcs / 14.5kg / 1.04CUFT (120W)
 0.66kg / 24pcs / 16.8kg / 1.04CUFT (200W)

Single Output

Stock No.	Model No.	Output	Tol.	R&N	Effi.
12551	MPS-120-3.3	3.3V, 0~24A	±3%	80mV	68%
12552	MPS-120-5	5V, 0~22A	±3%	80mV	73%
12553	MPS-120-12	12V, 0~10A	±2%	100mV	77%
12554	MPS-120-15	15V, 0~8.0A	±2%	100mV	79%
12555	MPS-120-24	24V, 0~5.0A	±2%	120mV	81%
12556	MPS-120-48	48V, 0~2.5A	±2%	120mV	82%

Stock No.	Model No.	Output	Tol.	R&N	Effi.
12591	MPS-200-3.3	3.3V, 0~40A	±2%	80mV	77%
12592	MPS-200-5	5V, 0~40A	±2%	80mV	81%
12593	MPS-200-12	12V, 0~16.7A	±2%	100mV	84%
12594	MPS-200-15	15V, 0~13.4A	±2%	100mV	85%
12595	MPS-200-24	24V, 0~8.4A	±1%	150mV	86%
12596	MPS-200-48	48V, 0~4.2A	±1%	200mV	87%

Dual Output

Stock No.	Model No.	Output	Tol.	R&N	Effi.	Max.
12561	MPD-120A	5V, 2.0~12A	±2%	80mV	75%	110W
		12V, 0.5~6.0A	±7%	120mV		
12562	MPD-120B	5V, 2.0~12A	±2%	80mV	76%	120W
		24V, 0.3~3.2A	±8%	250mV		

Dual Output

Stock No.	Model No.	Output	Tol.	R&N	Effi.	Max.
12601	MPD-200A	5V, 4.0~24A	±2%	80mV	82%	196W
		12V, 0.8~9.6A	+8%, -5%	120mV		
12602	MPD-200B	5V, 4.0~24A	±2%	80mV	83%	196W
		24V, 0.4~4.8A	±6.5%	180mV		

Triple Output

Stock No.	Model No.	Output	Tol.	R&N	Effi.	Max.
12571	MPT-120A	5V, 2.0~12A	±2%	80mV	72%	111W
		12V, 0.4~5.8A	+8%, -6%	120mV		
		-5V, 0.0~1.0A	±5%	80mV		
12572	MPT-120B	5V, 2.0~12A	±2%	80mV	73%	110W
		12V, 0.4~5.3A	±6%	120mV		
		-12V, 0.0~1.0A	±5%	80mV		
12573	MPT-120C	5V, 2.0~11A	±2%	80mV	72%	119W
		15V, 0.4~4.4A	+6%, -7%	150mV		
		-15V, 0.0~1.0A	±5%	80mV		
12574	MPT-120D	5V, 2.0~12A	±2%	80mV	74%	110W
		24V, 0.4~2.6A	+8%, -6%	300mV		
		12V, 0.0~1.0A	±5%	120mV		
12611	MPT-200A	5V, 4.0~24A	±2%	80mV	80%	200W
		12V, 0.8~9.0A	±8%	120mV		
		-5V, 0.0~2.4A	±5%	80mV		
12612	MPT-200B	5V, 4.0~24A	±2%	80mV	80%	196W
		12V, 0.6~7.2A	±8%	120mV		
		-12V, 0.0~2.4A	±5%	80mV		
12613	MPT-200C	5V, 4.0~24A	±2%	80mV	80%	201W
		15V, 0.5~5.6A	±8%	150mV		
		-15V, 0.0~2.4A	±5%	80mV		
12614	MPT-200D	5V, 4.0~24A	±2%	80mV	81%	196W
		24V, 0.3~3.6A	±8%	180mV		
		12V, 0.0~2.4A	±5%	80mV		

Quad Output

Stock No.	Model No.	Output	Tol.	R&N	Effi.	Max.
12581	MPQ-120B	5V, 2.0~11A	±2%	80mV	71%	111W
		12V, 0.5~5.0A	±6%	120mV		
		-5V, 0.0~1.0A	±5%	80mV		
12582	MPQ-120C	5V, 2.0~11A	±2%	80mV	71%	110W
		15V, 0.5~3.8A	+6%, -7%	150mV		
		-5V, 0.0~1.0A	±5%	80mV		
12583	MPQ-120D	5V, 2.0~11A	±2%	80mV	74%	120W
		12V, 0.2~1.1A	+8%, -6%	150mV		
		24V, 0.3~2.3A	±8%	300mV		
12584	MPQ-120E	5V, 2.0~11A	±2%	80mV	73%	109W
		12V, 0.5~3.3A	±6%	120mV		
		15V, 0.0~1.0A	±8%	80mV		
12621	MPQ-200B	5V, 3.0~18A	±2%	80mV	78%	193W
		12V, 0.7~8.4A	±8%	120mV		
		-5V, 0.0~2.4A	±5%	80mV		
12622	MPQ-200C	5V, 3.0~18A	±2%	80mV	78%	190W
		15V, 0.5~6.0A	±6%	150mV		
		-5V, 0.0~2.4A	±5%	80mV		
12623	MPQ-200D	5V, 3.0~18A	±2%	80mV	79%	195W
		24V, 0.3~3.6A	±8%	180mV		
		12V, 0.0~2.4A	±5%	80mV		
12624	MPQ-200F	5V, 3.0~18A	±2%	80mV	81%	200W
		24V, 0.3~3.3A	±8%	180mV		
		15V, 0.0~2.4A	±5%	80mV		
		12V, 0.0~2.4A	±5%	80mV		
		-12V, 0.0~2.4A	±5%	80mV		
		-15V, 0.0~2.4A	±5%	80mV		

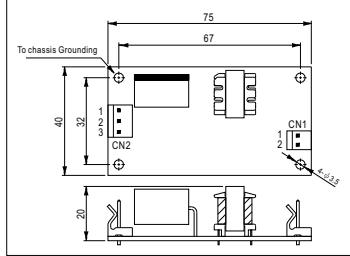
5W Single Output Switching Power Supply

- Universal AC input / Full range
- Protections: Short circuit / Overload / Over voltage / Over temp.
- Cooling by free air convection
- Fixed switching frequency at 67kHz
- Low leakage current <0.5mA
- 100% full load burn-in test
- Low cost, high reliability
- 2 years warranty

CBCE



75x 40x 20 mm



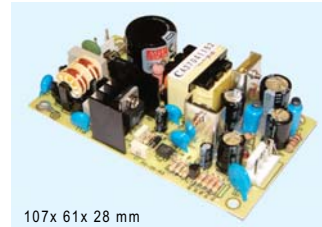
AC input voltage range 85~264VAC; 120~370VDC
 AC inrush current Cold start, 30A at 230VAC
 Overload protection >105% hiccup mode, auto-recovery
 Over voltage protection 115%~135% rated output voltage
 Over temp. protection U1, Tj:140°C, hiccup mode, auto-recovery
 Leakage current Less than 0.5mA at 240VAC
 Withstand voltage I/P-O/P: 3kVAC, I/P-FG:1.5kVAC, 1minute
 Working temperature -10~60°C (refer to output derating curve)
 Safety standards UL60950-1 CB approval by TUV
 EMC standards EN55022 class B, EN61000-3-2,3, EN61000-4-2,3,4,5,6,8,11
 Connection 3P, 2P/ 3.96mm pitch, Molex 5285-03,5273-02
 Packing 0.05kg ; 120pcs / 6.25kg / 1.0CUFT

Stock No.	Model No.	Output	Tol.	R&N	Effi.
12631	PS-05-5	5V, 0~1.0A	±2%	100mV	70%
12632	PS-05-12	12V, 0~0.45A	±2%	120mV	75%
12633	PS-05-15	15V, 0~0.35A	±2%	120mV	75%
12634	PS-05-24	24V, 0~0.22A	±2%	200mV	76%
12635	PS-05-48	48V, 0~0.11A	±1%	200mV	76%

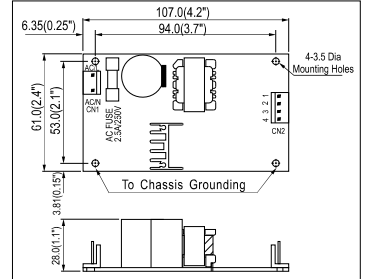
25W 1~2 Output Switching Power Supply

- Universal AC input / Full range
- Protections: Short circuit / Overload / Over voltage / Over temp.
- Cooling by free air convection
- Fixed switching frequency at 100kHz
- Low leakage current <0.5mA
- 100% full load burn-in test
- Low cost, high reliability
- 2 years warranty

UL US CBCE



107x 61x 28 mm



AC input voltage range 85~264VAC; 120~370VDC
 AC inrush current Cold start, 36A at 230VAC
 Overload protection >105% hiccup mode, auto-recovery
 Over voltage protection 115%~135% rated output voltage
 Over temp. protection U1, Tj:135°C, power shutdown
 Leakage current Less than 0.5mA at 240VAC
 Withstand voltage I/P-O/P: 3kVAC, I/P-FG:1.5kVAC, 1minute
 Working temperature -10~60°C (refer to output derating curve)
 Safety standards UL60950-1, TUV EN60950-1 approved
 EMC standards EN55022 class B, EN61000-3-2,3, EN61000-4-2,3,4,5
 Connection 3P, 4P/ 3.96mm pitch, Molex P/N: 41791-03, 04
 Packing 0.14kg ; 96pcs / 15.0kg / 1.30CUFT(PS-25)
 0.15kg ; 96pcs / 15.9kg / 1.30CUFT(PD-25)
 0.13kg ; 96pcs / 15.4kg / 1.30CUFT(PD-2503)

Single Output

Stock No.	Model No.	Output	Tol.	R&N	Effi.
12001	PS-25-3.3	3.3V, 0~5.0A	±3%	80mV	66%
12002	PS-25-5	5V, 0~5.0A	±2%	80mV	74%
12003	PS-25-7.5	7.5V, 0~3.3A	±2%	80mV	76%
12004	PS-25-12	12V, 0~2.1A	±2%	100mV	78%
12025	PS-25-13.5	13.5V, 0~1.9A	±2%	100mV	78%
12006	PS-25-15	15V, 0~1.7A	±2%	100mV	78%
12007	PS-25-24	24V, 0~1.0A	±2%	240mV	79%
12008	PS-25-27	27V, 0~0.9A	±2%	240mV	79%
12009	PS-25-48	48V, 0~0.5A	±2%	350mV	79%

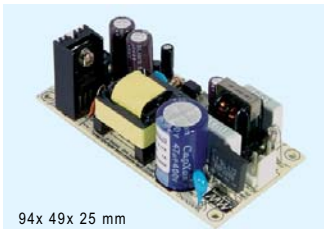
Dual Output

Stock No.	Model No.	Output	Tol.	R&N	Effi.	Max.
12031	PD-25A	5V, 0.2~2.5A	±2%	50mV	71%	25W
		12V, 0.1~1.5A	±6%	150mV		
12032	PD-25B	5V, 0.2~2.0A	±2%	50mV	77%	25W
		24V, 0.1~1.0A	±6%	200mV		
12033	PD-2505	5V, 0.1~3.0A	±6%	50mV	73%	25W
		-5V, 0.1~2.5A	±6%	50mV		
12034	PD-2512	12V, 0.1~1.2A	±4%	50mV	74%	24W
		-12V, 0.1~1.2A	±4%	50mV		
12035	PD-2515	15V, 0.1~1.0A	±4%	50mV	75%	24W
		-15V, 0.1~1.0A	±4%	50mV		
12036	PD-2503	3.3V, 0.2~5.0A	±2%	50mV	72%	25W
		5V, 0.1~4.0A	+5%,-8%	50mV		

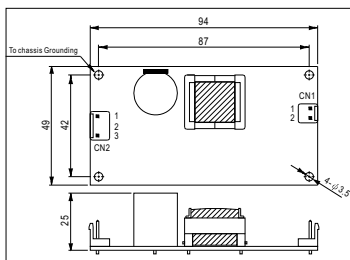
15W Single Output Switching Power Supply

- Universal AC input / Full range
- Protections: Short circuit / Overload / Over voltage / Over temp.
- Cooling by free air convection
- Fixed switching frequency at 67kHz
- Low leakage current <0.5mA
- 100% full load burn-in test
- Low cost, high reliability
- 2 years warranty

CBCE



94x 49x 25 mm

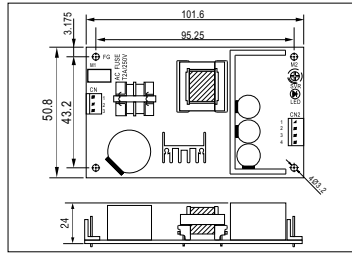


AC input voltage range 85~264VAC; 120~370VDC
 AC inrush current Cold start, 40A at 230VAC
 Overload protection >105% hiccup mode, auto-recovery
 Over voltage protection 115%~135% rated output voltage
 Over temp. protection U1, Tj:140°C, hiccup mode, auto-recovery
 Leakage current Less than 0.5mA at 240VAC
 Withstand voltage I/P-O/P: 3kVAC, I/P-FG:1.5kVAC, 1minute
 Working temperature -10~60°C (refer to output derating curve)
 Safety standards EN60950-1 CB approval by TUV
 EMC standards EN55022 class B, EN61000-3-2,3, EN61000-4-2,3,4,5,6,8,11
 Connection 3P, 2P/ 3.96mm pitch, JST B3P/B2P-VH
 Packing 0.083kg ; 120pcs / 10.96kg

Stock No.	Model No.	Output	Tol.	R&N	Effi.
12641	PS-15-5	5V, 0~2.80A	±2%	100mV	74%
12642	PS-15-12	12V, 0~1.25A	±2%	120mV	77%
12643	PS-15-15	15V, 0~1.00A	±2%	120mV	78%
12644	PS-15-24	24V, 0~0.625A	±2%	150mV	79%
12645	PS-15-48	48V, 0~0.313A	±2%	200mV	77%

35W Single Output Switching Power Supply

- 4"x2"x 0.95" compact size
- Universal AC input / Full range
- Cooling by free air convection
- Protections: Short circuit / Overload / Over voltage
- 2 years warranty

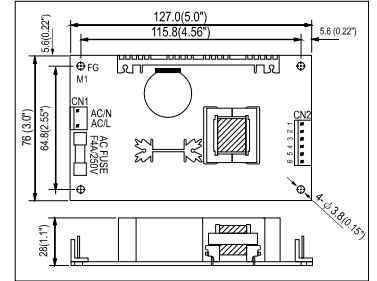
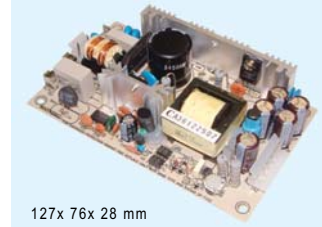


AC input voltage range 90~264VAC; 120~370VDC
 DC adjustment range $\pm 10\%$ rated output voltage
 Overload protection 105%~160% hiccup mode, auto-recovery
 Over voltage protection 115%~150% rated output voltage
 Withstand voltage I/P-O/P: 3.0kVAC, I/P-FG: 1.5kVAC, 1minute
 Working temperature -20°C~+65°C (refer to output derating curve)
 Safety standards UL60950-1, TUV EN60950-1 approved
 EMC standards EN55022 class B, EN61000-3-2,3, EN61000-4-2,3,4,5,6,8,11; ENV50204
 Connection 3+4P / 3.96mm pitch, JST B3P/B4P-VH
 Packing 0.124kg; 96pcs / 12.9kg / 0.8CUFT

Stock No.	Model No.	Output	Tol.	R&N	Effi.
12101	PS-35-3.3	3.3V, 0~6.0A	$\pm 2\%$	80mV	70%
12102	PS-35-5	5V, 0~6.0A	$\pm 2\%$	100mV	78%
12103	PS-35-7.5	7.5V, 0~4.7A	$\pm 2\%$	100mV	80%
12104	PS-35-12	12V, 0~3.0A	$\pm 1\%$	120mV	81%
12105	PS-35-13.5	13.5V, 0~2.6A	$\pm 1\%$	120mV	81%
12106	PS-35-15	15V, 0~2.4A	$\pm 1\%$	150mV	81%
12107	PS-35-24	24V, 0~1.5A	$\pm 1\%$	200mV	85%
12108	PS-35-48	48V, 0~0.75A	$\pm 1\%$	240mV	84%

45W 1~3 Output Switching Power Supply

- Universal AC input / Full range
- Protections: Short circuit / Overload / Over voltage
- Cooling by free air convection
- Fixed switching frequency at 65kHz
- Low leakage current <0.5mA
- 100% full load burn-in test
- Low cost, high reliability
- 2 years warranty



AC input voltage range ...90~264VAC; 120~370VDC
 AC inrush currentCold start, 15A at 115VAC, 30A at 230VAC
 DC adjustment rangeCH1: -5~+10% rated output voltage
 Overload protection53~75W hiccup mode, auto-recovery
 Over voltage protection ..CH1: 115%~135% rated output voltage
 Leakage currentLess than 0.5mA at 240VAC
 Withstand voltage I/P-O/P: 3kVAC, I/P-FG: 1.5kVAC, 1minute
 Working temperature -10~60°C (refer to output derating curve)
 Safety standards UL60950-1, TUV EN60950-1 approved
 EMC standards EN55022 class B, EN61000-3-2,3, EN61000-4-2,3,4,5,6,8,11, ENV50204
 Connection 2P, 6P/ 3.96mm pitch, Molex P/N: 5277-02, 5273-06
 Packing 0.19kg ; 72pcs / 15.6kg / 1.35CUFT(PS-45)
 0.20kg ; 72pcs / 16.0kg / 1.35CUFT(PD-45)
 0.21kg ; 72pcs / 17.0kg / 1.35CUFT(PT-45)

Single Output

Stock No.	Model No.	Output	Tol.	R&N	Effi.
12011	PS-45-3.3	3.3V, 0~8.0A	$\pm 3\%$	80mV	69%
12012	PS-45-5	5V, 0~8.0A	$\pm 3\%$	100mV	74%
12013	PS-45-7.5	7.5V, 0~5.4A	$\pm 3\%$	100mV	75%
12014	PS-45-12	12V, 0~3.7A	$\pm 2\%$	100mV	76%
12015	PS-45-13.5	13.5V, 0~3.3A	$\pm 2\%$	100mV	77%
12016	PS-45-15	15V, 0~3.0A	$\pm 2\%$	100mV	77%
12017	PS-45-24	24V, 0~1.9A	$\pm 2\%$	100mV	78%
12018	PS-45-27	27V, 0~1.7A	$\pm 2\%$	100mV	78%
12019	PS-45-48	48V, 0~1.0A	$\pm 2\%$	100mV	78%

Dual Output

Stock No.	Model No.	Output	Tol.	R&N	Effi.	Max.
12041	PD-45A	5V, 0.4~5.0A	$\pm 4\%$	50mV	77%	40W
		12V, 0.2~2.5A	$\pm 7\%$	120mV		
12042	PD-45B	5V, 0.4~5.0A	$\pm 4\%$	50mV	78%	45W
		24V, 0.2~1.8A	$\pm 7\%$	120mV		

Triple Output

Stock No.	Model No.	Output	Tol.	R&N	Effi.	Max.
12061	PT-45A	5V, 0.4~5.0A	$\pm 4\%$	50mV	75%	41W
		12V, 0.2~2.5A	$\pm 7\%$	120mV		
		-5V, 0.0~0.5A	$\pm 5\%$	50mV		
12062	PT-45B	5V, 0.4~5.0A	$\pm 4\%$	50mV	75%	43W
		12V, 0.2~2.5A	$\pm 7\%$	120mV		
		-12V, 0.0~0.5A	$\pm 5\%$	100mV		
12063	PT-45C	5V, 0.4~5.0A	$\pm 4\%$	50mV	75%	44W
		15V, 0.2~2.3A	$\pm 7\%$	120mV		
		-15V, 0.0~0.5A	$\pm 5\%$	100mV		

320W Triple Output with PFC Function

Available by Request



197x 108x 37mm

- Universal AC input / Full range
- Built-in active PFC function, PF>0.92
- Protections: Short circuit / Overload / Over voltage / Over temperature
- Separate protections for all outputs
- Wide range output voltage adjustment for CH1&2
- No load power consumption <0.75W
- Built-in PS-ON control function
- Design refer to UL60950-1, TUV EN60950-1
- 130% peak load capability for all outputs
- 80% load by free air convection, 100% load with 18CFM forced air
- Working temperature: -20°C~+70°C
- Output models:
 - PT-320A - 12V / 0~10A, 24V / 0~6A, 5VSB / 0~5A
 - PT-320B - 24V / 0~10A, 48V / 0~6A, 12VSB / 0~5A
- 3 years warranty

Open Frame 45~65W Single, Dual, and Triple Output

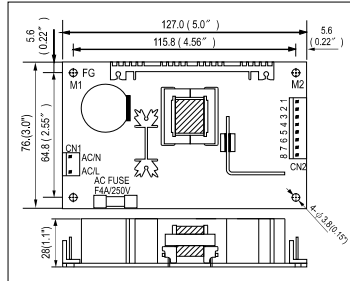


45 & 65W Triple Output with 3.3V Channel

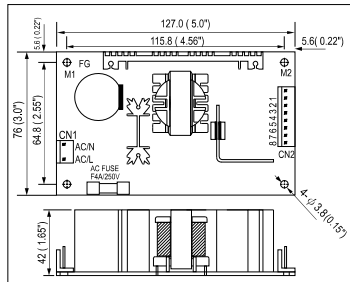
- Universal AC input / Full range
- Total power for CH1+2: 35W (PT-45)
- Total power for CH1+2: 54W (PT-65)
- Protections: Short circuit / Overload / Over voltage
- Fixed switching frequency at 65kHz
- Cooling by free air convection
- 100% full load burn-in test
- 2 years warranty



PT-4503
127x 76x 28 mm



PT-6503
127x 76x 42 mm



AC input voltage range 90~264VAC; 127~370VDC
 AC inrush current Cold start, 20A at 115VAC, 40A at 230VAC
 DC adjustment range 3.3V: $\pm 10\%$ rated output voltage
 Overload protection 120%~160% hiccup mode, auto-recovery
 Over voltage protection 5V: 115%~135% rated output voltage
 Leakage current Less than 1.0mA at 240VAC
 Setup, rise, hold up time 800ms, 50ms, 60ms at full load and 230VAC
 Withstand voltage I/P-O/P: 3kVAC, I/P-FG:1.5kVAC, 1minute
 Working temperature -10~60°C (refer to output derating curve)
 Safety standards UL60950-1, TUV EN60950-1 approved
 EMC standards EN55022 class B, EN61000-3-2,3, EN61000-4-2,3,4,5,6,11
 Connection 2P, 8P/ 3.96mm pitch, Molex: 5277-02, 5273-08
 Packing 0.23kg ; 72pcs / 17.6kg / 1.35CUFT(PT-4503)
 0.28kg ; 54pcs / 16.2kg / 1.35CUFT(PT-6503)

✦ Triple Output (45W)

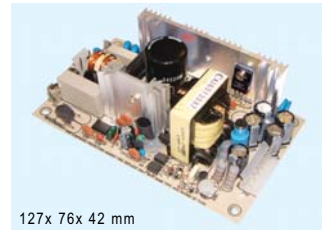
Stock No.	Model No.	Output	Tol.	R&N	Effi.	Max.
12064	PT-4503	3.3V, 0.0~5.0A	$\pm 2\%$	50mV	72%	45W
		5V, 0.2~7.0A	+4%, -2%	50mV		
		12V, 0.0~1.2A	$\pm 4\%$	100mV		

✦ Triple Output (65W)

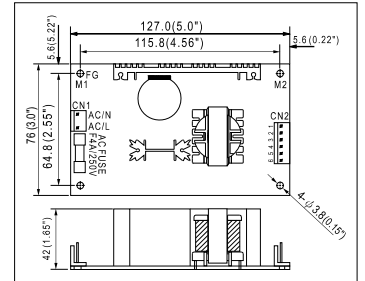
Stock No.	Model No.	Output	Tol.	R&N	Effi.	Max.
12075	PT-6503	3.3V, 0.0~7.0A	$\pm 3\%$	50mV	72%	62W
		5V, 0.2~10A	+4%, -2%	50mV		
		12V, 0.0~1.2A	$\pm 4\%$	100mV		

65W 1~3 Output Switching Power Supply

- Universal AC input / Full range
- Protections: Short circuit / Overload / Over voltage
- Cooling by free air convection
- Fixed switching frequency at 65kHz
- Low leakage current <0.5mA
- 100% full load burn-in test
- Low cost, high reliability
- 2 years warranty



127x 76x 42 mm



AC input voltage range 90~264VAC; 120~370VDC
 AC inrush current Cold start, 20A at 115VAC, 40A at 230VAC
 DC adjustment range CH1: -5~+10% rated output voltage
 Overload protection 73~105W hiccup mode, auto-recovery
 Over voltage protection CH1: 115%~135% rated output voltage
 Leakage current Less than 0.5mA at 240VAC
 Setup, rise, hold up time 800ms, 20ms, 60ms at full load and 230VAC
 Withstand voltage I/P-O/P: 3kVAC, I/P-FG:1.5kVAC, 1minute
 Working temperature 0~45°C@100%, -10°C@80%, 60°C@50% load
 Safety standards UL60950-1, TUV EN60950-1 approved
 EMC standards EN55022 class B, EN61000-3-2,3, EN61000-4-2,3,4,5,6,8,11, ENV50204
 Connection 2P, 6P/ 3.96mm pitch, Molex P/N: 5277-02, 5273-06
 Packing 0.21kg ; 54pcs / 14.2kg / 1.35CUFT(PS-65)
 0.24kg ; 54pcs / 15.0kg / 1.35CUFT(PD-65)
 0.25kg ; 54pcs / 15.9kg / 1.35CUFT(PT-65)

✦ Single Output

Stock No.	Model No.	Output	Tol.	R&N	Effi.
12021	PS-65-3.3	3.3V, 0~12A	$\pm 3\%$	80mV	69%
12022	PS-65-5	5V, 0~12A	$\pm 3\%$	100mV	76%
12023	PS-65-7.5	7.5V, 0~8.0A	$\pm 3\%$	100mV	79%
12024	PS-65-12	12V, 0~5.2A	$\pm 2\%$	100mV	79%
12025	PS-65-13.5	13.5V, 0~4.7A	$\pm 2\%$	100mV	79%
12026	PS-65-15	15V, 0~4.2A	$\pm 2\%$	100mV	79%
12027	PS-65-24	24V, 0~2.7A	$\pm 2\%$	100mV	80%
12028	PS-65-27	27V, 0~2.4A	$\pm 2\%$	100mV	80%
12029	PS-65-48	48V, 0~1.35A	$\pm 2\%$	100mV	80%

✦ Dual Output

Stock No.	Model No.	Output	Tol.	R&N	Effi.	Max.
12051	PD-65A	5V, 0.4~7.0A	$\pm 4\%$	50mV	78%	61W
		12V, 0.2~3.2A	$\pm 7\%$	120mV		
12052	PD-65B	5V, 0.4~6.0A	$\pm 4\%$	50mV	81%	66W
		24V, 0.2~2.6A	$\pm 7\%$	150mV		

✦ Triple Output

Stock No.	Model No.	Output	Tol.	R&N	Effi.	Max.
12071	PT-65A	5V, 0.4~7.0A	$\pm 4\%$	50mV	76%	60W
		12V, 0.2~3.2A	$\pm 7\%$	120mV		
		-5V, 0.0~0.7A	$\pm 5\%$	50mV		
12072	PT-65B	5V, 0.4~7.0A	$\pm 4\%$	50mV	77%	64W
		12V, 0.2~3.2A	$\pm 7\%$	120mV		
		-12V, 0.0~0.7A	$\pm 5\%$	100mV		
12073	PT-65C	5V, 0.4~7.0A	$\pm 4\%$	50mV	77%	65W
		15V, 0.2~2.6A	$\pm 7\%$	120mV		
		-15V, 0.0~0.7A	$\pm 5\%$	100mV		
12074	PT-65D	5V, 0.5~5.0A	$\pm 4\%$	50mV	79%	68W
		12V, 0.2~4.0A	$\pm 6\%$	100mV		
		24V, 0.2~1.3A	$\pm 6\%$	200mV		



We are a TQM (Total Quality Management) company and ISO-9001 certified since 1994.



We provide specification, drawing, test report and more information, please visit our website —

<http://www.meanwell.com>



To satisfy our customers is our goal —

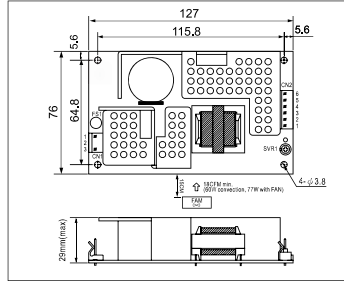
- High Quality
- Low Cost
- Prompt Delivery
- Best Service

65W 2~3 Output Switching Power Supply

- Universal AC input / Full range
- Protections: Short circuit / Overload / Over voltage
- Cooling by free air convection
- 12V or 24V high peak current capability
- 60~65W free air convection, 77~80W with 18 CFM forced air
- Low leakage current < 1mA
- 100% full load burn-in test
- **Optional case available**
- 2 years warranty capability



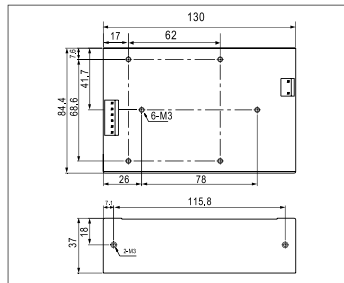
127x 76x 29 mm



With Optional Case



130x 84.4x 37 mm



- AC input voltage range 90~264VAC; 120~370VDC
- AC inrush current Cold start, 25A at 115VAC, 50A at 230VAC
- DC adjustment range CH1 12V: 11.4~12.8V, 24V: 22.8~26.4V
- Overload protection 90~125W hiccup mode, auto-recovery
- Over voltage protection CH1: 115%~135% rated output voltage
- Leakage current Less than 1mA at 240VAC
- Setup, rise, hold up time 800ms, 20ms, 20ms at full load and 230VAC
- Withstand voltage I/P-O/P: 3kVAC, I/P-FG: 1.5kVAC, 1minute
- Working temperature -20~60°C (refer to output derating curve)
- Safety standards UL60950-1, TUV EN60950-1 approved
- EMC standards EN55022 class B, EN61000-3-2,3, EN61000-4-2,3,4,5,6,8,11, ENV50204
- Connection 3P, 6P/ 3.96mm pitch, Molex P/N: 5273-03, 5273-06
- Packing 0.24kg ; 63pcs / 16.0kg / 1.35CUFT

Dual Output

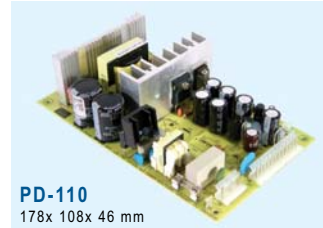
Stock No.	Model No.	Output	Tol.	R&N	Effi.	Max.
12651	RPD-65C	12V, 0~5.8A	±2%	120mV	79%	60W
		5V, 0~1.5A	±5%	50mV		
12652	RPD-65D	24V, 0~2.9A	±2%	150mV	81%	60W
		5V, 0~1.5A	±5%	50mV		

Triple Output

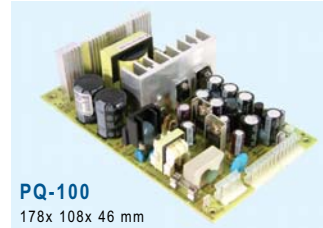
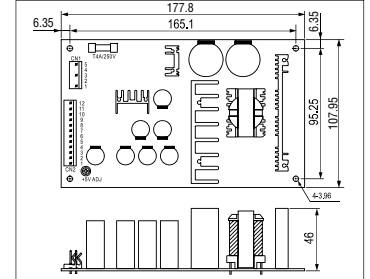
Stock No.	Model No.	Output	Tol.	R&N	Effi.	Max.
12661	RPT-65E	12V, 0.18~5.8A	±2%	120mV	77%	63W
		5V, 0.0~1.5A	±5%	100mV		
		-5V, 0.0~0.7A	±5%	120mV		
12662	RPT-65F	12V, 0.18~5.8A	±2%	150mV	77%	66W
		5V, 0.0~1.5A	±5%	100mV		
		-12V, 0.0~0.7A	±5%	150mV		
12663	RPT-65G	24V, 0.09~2.9A	±2%	150mV	81%	66W
		5V, 0.0~1.5A	±5%	50mV		
		12V, 0.0~0.7A	±5%	100mV		

100~110W 2, 4 Output Switching Power Supply

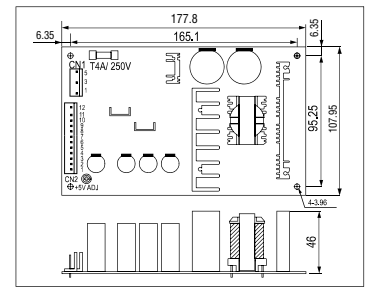
- Universal AC input / Full range
- Power good signal output (option)
- Protections: Short circuit / Overload / Over voltage
- Cooling by free air convection
- 2 years warranty
- **To be discontinued. Using MPD-120 & MPQ-120 as replacement for any new applications is highly recommend.**



PD-110
178x 108x 46 mm



PQ-100
178x 108x 46 mm



- AC input voltage range .. 90~264VAC; 127~370VDC
- AC inrush current Cold start, 50A at 230VAC
- DC adjustment range CH1: -5~+10% rated output voltage
- Overload protection 105%~135% hiccup mode, auto-recovery
- Over voltage protection CH1: 115%~135% rated output voltage
- Withstand voltage I/P-O/P: 3kVAC, I/P-FG: 1.5kVAC, 1minute
- Working temperature -10°C~60°C (refer to output derating curve)
- Safety standards UL60950-1, TUV EN60950-1 approved
- EMC standards EN55022 class B, EN61000-3-2,3, EN61000-4-2,3,4,5,6,11, ENV50204
- Connection 5+12P/ 3.96mm pitch, Molex: 5273-05,12(PD-110)
5+6+7P/ 3.96mm pitch, Molex: 5273-05,06,07(PQ-100)
- Packing 0.51kg ; 24pcs / 13.1kg / 1.19CUFT (PD-110)
0.56kg ; 24pcs / 14.5kg / 1.19CUFT (PQ-100)

Dual Output

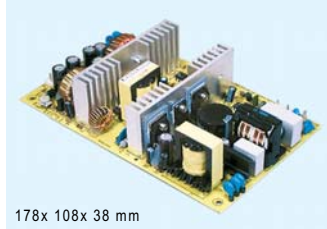
Stock No.	Model No.	Output	Tol.	R&N	Effi.	Max.
12081	PD-110A	5V, 0.5~5.0A	±2%	100mV	75%	103W
		12V, 0.5~6.5A	±6%	150mV		
12082	PD-110B	5V, 0.5~5.0A	±2%	100mV	78%	109W
		24V, 0.5~3.5A	±6%	200mV		

Quad Output

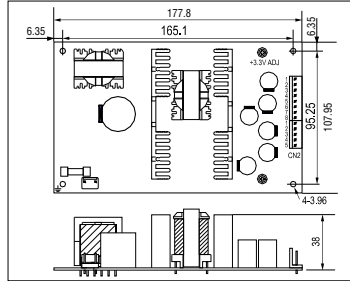
Stock No.	Model No.	Output	Tol.	R&N	Effi.	Max.
12091	PQ-100B	5V, 2.0~10A	±3%	80mV	72%	101W
		12V, 0.5~4.5A	±12%	250mV		
		-5V, 0.0~1.0A	±6%	80mV		
		-12V, 0.0~1.0A	±6%	120mV		
12092	PQ-100C	5V, 2.0~8.0A	±2%	80mV	74%	103W
		15V, 0.5~4.0A	±6%	150mV		
		-5V, 0.0~1.0A	±6%	80mV		
		-15V, 0.0~1.0A	±6%	150mV		
12093	PQ-100D	5V, 2.0~5.0A	±2%	80mV	77%	103W
		12V, 0.5~4.5A	±6%	120mV		
		24V, 0.4~2.0A	±10%	180mV		
		-12V, 0.0~1.0A	±6%	120mV		
12094	PQ-100E	5V, 2.0~8.0A	±2%	80mV	74%	99W
		12V, 0.5~3.0A	±6%	120mV		
		15V, 0.0~1.0A	±6%	150mV		
		24V, 0.0~1.0A	±6%	120mV		

100W Quad Output with PFC Function

- Universal AC input / Full range
- PF>0.98@115VAC; >0.95@230VAC
- Protections: Short circuit / Overload / Over voltage
- Cooling by free air convection
- 100% full load burn-in test
- 3 years warranty



178x 108x 38 mm

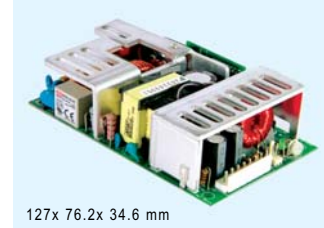


AC input voltage range .. 90~264VAC; 127~370VDC
 AC inrush current Cold start, 40A at 230VAC
 DC adjustment range CH1: -5~+10% (PPQ-1003: CH1&2 -5~+10%)
 Overload protection 105%~135% hiccup mode, auto-recovery (PPQ-100)
 105%~135% constant current, auto-recovery (PPQ-1003)
 Over voltage protection 3.6V~4.3V for 3.3V ; 5.75V~6.75V for 5.0V
 Leakage current Less than 3.5mA at 240VAC (PPQ-1003: <1mA)
 Setup, rise, hold up time .. 800ms, 50ms, 18ms at full load and 230VAC
 Withstand voltage I/P-O/P: 3kVAC, I/P-FG:1.5kVAC, 1minute
 Working temperature -10°C~60°C (refer to output derating curve)
 Safety standards UL60950-1, TUV EN60950-1 approved
 EMC standards EN55022 class B, EN61000-3-2,3,
 EN61000-4-2,3,4,5,6,8,11, ENV50204
 Connection 5P+5P+8P/ 3.96mm pitch, P/N:JST B5/5/8P-VH (PPQ-100)
 3P+5P+8P/ 3.96mm pitch, P/N:JST B3/5/8P-VH (PPQ-1003)
 Packing 0.62kg ; 24pcs / 15.5kg / 1.34CUFT (PPQ-1003)
 0.62kg ; 24pcs / 15.9kg / 1.34CUFT (PPQ-100)

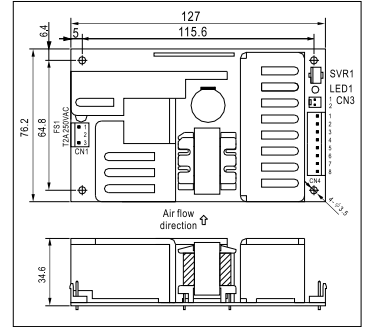
Stock No.	Model No.	Output	Tol.	R&N	Effi.	Max.
12351	PPQ-1003A	3.3V, 0.0~15A	±3%	100mV	72%	109W
		5V, 2.0~15A	±3%	100mV		
		12V, 0.2~3.0A	±6%	150mV		
		-5V, 0.0~1.0A	±6%	100mV		
12352	PPQ-1003B	3.3V, 0.0~15A	±3%	100mV	72%	111W
		5V, 2.0~15A	±3%	100mV		
		12V, 0.2~3.0A	±6%	150mV		
		-12V, 0.0~1.0A	±6%	120mV		
12353	PPQ-1003C	3.3V, 0.0~15A	±3%	100mV	72%	110W
		5V, 2.0~15A	±3%	100mV		
		15V, 0.2~3.0A	+10%, -5%	180mV		
		-15V, 0.0~1.0A	±6%	150mV		
12354	PPQ-1003D	3.3V, 0.0~15A	±3%	100mV	72%	114W
		5V, 2.0~15A	±3%	100mV		
		12V, 0.2~3.0A	±6%	150mV		
		24V, 0.0~1.0A	±6%	150mV		
12356	PPQ-100B	5V, 2.0~15A	±3%	100mV	75%	101W
		12V, 0.3~4.0A	±8%	150mV		
		-12V, 0.0~1.0A	±5%	100mV		
		-5V, 0.0~1.0A	±5%	100mV		
12357	PPQ-100C	5V, 2.0~15A	±3%	100mV	76%	101W
		15V, 0.3~4.0A	-6%, +10%	150mV		
		-15V, 0.0~1.0A	±5%	100mV		
		-5V, 0.0~1.0A	±5%	100mV		
12358	PPQ-100D	5V, 2.0~10A	±3%	100mV	78%	102W
		24V, 0.3~4.0A	±8%	200mV		
		12V, 0.0~1.0A	±5%	100mV		
		-12V, 0.0~1.0A	±5%	100mV		

125W 1,3 Output with PFC Function

- Universal AC input/ Full range
- PF>0.98@115VAC, >0.93@230VAC
- High power density 6.117W/in³
- 3"x5" miniature size
- Protections: Short circuit / Overload / Over voltage
- Built-in remote sense for PPS-125
- LED indicator for power on
- Free air convection for 100W and 125W with 18 CFM forced air
- 100% full load burn-in test
- 3 years warranty



127x 76.2x 34.6 mm



AC input voltage range 90~264VAC; 127~370VDC
 AC inrush current Cold start, 24A at 230VAC
 DC adjustment range CH1: ±5% rated output voltage
 Overload protection 130~160% fold back current limiting, auto-recovery
 Over voltage protection CH1:110~135% rated output voltage
 Leakage current Less than 2.0 mA at 240VAC
 Setup, rise, hold up time 1000ms, 30ms, 24ms at full load and 230VAC
 Withstand voltage I/P-O/P: 3kVAC, I/P-FG:1.5kVAC, 1minute
 Working temperature -20°C~70°C (refer to output derating curve)
 Safety standards UL60950-1, TUV EN60950-1 approved
 EMC standards EN55022 class B, EN61000-3-2,3,
 EN61000-4-2,3,4,5,6,8,11, ENV50204
 Connection 3+8P /3.96mm pitch, JST: B3P/B8P-VH (PPS-125)
 3+5Px2 /3.96mm pitch, JST: B3P/B5Px2-VH (PPT-125)
 Packing 0.37kg; 36pcs / 14.3kg / 0.79CUFT

Single Output

Stock No.	Model No.	Output	Tol.	R&N	Effi.
12471	PPS-125-3.3	3.3V, 0~25A	±2%	100mV	70%
12472	PPS-125-5	5V, 0~25A	±2%	100mV	79%
12473	PPS-125-12	12V, 0~10.5A	±2%	100mV	80%
12474	PPS-125-13.5	13.5V, 0~9.3A	±2%	100mV	80%
12475	PPS-125-15	15V, 0~8.4A	±2%	100mV	80%
12476	PPS-125-24	24V, 0~5.2A	±1%	150mV	83%
12477	PPS-125-27	27V, 0~4.6A	±1%	150mV	83%
12478	PPS-125-48	48V, 0~2.6A	±1%	250mV	84%

Triple Output

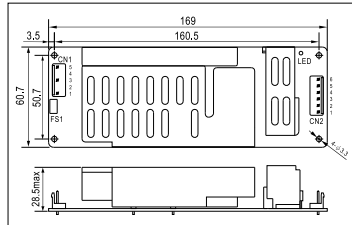
Stock No.	Model No.	Output	Tol.	R&N	Effi.	Max
12481	PPT-125A	3.3V, 1.0~12.5A	±3%	100mV	75%	99W
		5V, 0.8~10.0A	±5%	100mV		
		12V, 0.05~0.63A	±6%	120mV		
12482	PPT-125B	5V, 1.0~14.38A	±3%	100mV	78%	124W
		12V, 0.3~3.75A	±5%	120mV		
		-12V, 0.05~0.63A	±6%	120mV		
12483	PPT-125C	5V, 1.0~13.75A	±3%	100mV	78%	125W
		15V, 0.25~3.13A	±5%	150mV		
		-15V, 0.05~0.63A	±6%	150mV		
12484	PPT-125D	5V, 1.0~8.75A	±3%	100mV	78%	126W
		24V, 0.25~3.13A	±5%	240mV		
		12V, 0.05~0.63A	±6%	120mV		

150W Single Output with PFC Function

- Universal AC input / Full range
- PF>0.98@115VAC; >0.95@230VAC
- Protections: Short circuit / Over load / Over voltage / Over temp.
- Cooling by free air convection
- High power density 8.4W/in³
- No load power consumption<1W
- 100% full load burn-in test
- 3 years warranty



169x 60.7x 28.5 mm



AC input voltage range 90~264VAC ; 127~370VDC
 DC adjustment range Can be modified between ±10% rated output voltage by factory
 Overload protection 105%~135% hiccup mode, auto-recovery
 Over voltage protection 110%~135% rated output voltage
 Withstand voltage I/P-O/P: 4.25kVDC, I/P-FG:1.5kVAC, 1minute
 Working temperature 0~40°C@100%, -20°C@80%, 60°C@60% load
 Safety standards UL60950-1 approved
 EMC standards EN55022 class B, EN61000-3-2,3, EN61000-4-2,3,4,5,6,8,11, ENV50204
 Connection 5+6P / 3.96mm pitch, JST P/N :B5P / B6P-VH
 Packing 0.32kg ; 48pcs / 15.8kg / 0.79CUFT

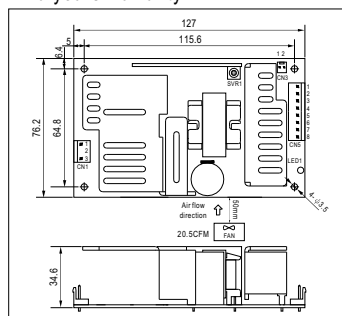
Stock No.	Model No.	Output	Tol.	R&N	Effi.
12691	ASP-150-12	12V, 0~11A	±2%	150mV	88%
12692	ASP-150-15	15V, 0~9.5A	±2%	180mV	88%
12693	ASP-150-20	20V, 0~7.5A	±1%	200mV	90%
12694	ASP-150-24	24V, 0~6.3A	±1%	240mV	90%
12695	ASP-150-48	48V, 0~3.2A	±1%	240mV	89%

200W Single Output with PFC Function

- Universal AC input / Full range
- High efficiency up to 90%
- PF>0.98@115VAC; >0.94@230VAC
- Protections: Short circuit / Over load / Over voltage / Over temp.
- High power density 9.78W/inch³
- 5"x3" compact size
- ZVS technology to reduce power dissipation
- Built-in remote sense function
- Free air convection for 150W and 200W with 20.5 CFM forced air
- 3 years warranty



127x 76.2x 34.6 mm



AC input voltage range 90~264VAC; 127~370VDC
 DC adjustment range ±10% rated output voltage
 Overload protection 105~135% hiccup mode, auto-recovery
 Over voltage protection 115%~135% rated output voltage
 Withstand voltage I/P-O/P: 3kVAC, I/P-FG:1.5kVAC, 1minute
 Working temperature -20°C~70°C (refer to output derating curve)
 Safety standards UL60950-1, TUV EN60950-1 approved
 EMC standards EN55022 class B, EN61000-3-2,3, EN61000-4-2,3,4,5,6,8,11, ENV50204
 Connection 3+8P / 3.96mm pitch, JST B3P / B8P-VH
 Packing 0.37kg ; 36pcs / 14.3kg / 0.79CUFT

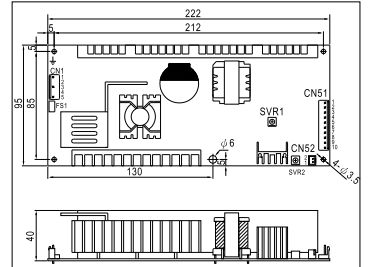
Stock No.	Model No.	Output	Tol.	R&N	Effi.
12671	PPS-200-5	5V, 0~36.0A	±4%	100mV	86%
12672	PPS-200-12	12V, 0~16.6A	±3%	100mV	89%
12673	PPS-200-15	15V, 0~13.3A	±3%	100mV	89%
12674	PPS-200-24	24V, 0~8.30A	±2%	150mV	89%
12675	PPS-200-27	27V, 0~7.40A	±2%	150mV	89%
12676	PPS-200-48	48V, 0~4.167A	±2%	250mV	90%

250W Isolated Dual Output with PFC Function

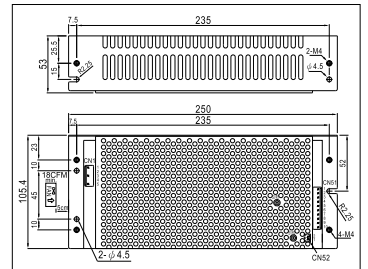
- Universal AC input / Full range
- Isolated output & GND for CH1,CH2
- PF>0.97@115VAC; >0.92@230VAC
- Protections: Short circuit / Overload / Over voltage / Over temp.
- Optional case available
- Cooling by free air convection
- Remote control function for CH1
- Peak load 170% for 10 sec. (CH1)
- 100% full load burn-in test
- 3 years warranty



222x 95x 40 mm



250x 105.4x 53 mm

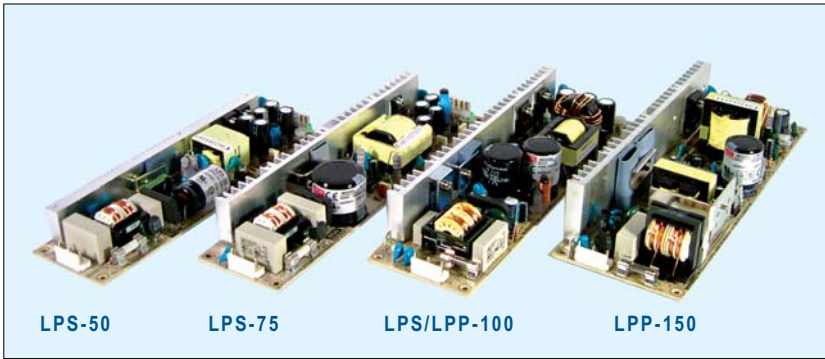


AC input voltage range 90~264VAC; 127~370VDC
 AC inrush current Cold start, 55A at 230VAC
 Leakage current Less than 3.5mA at 240VAC
 DC adjustment range ±10% for CH1; ±5% for CH2
 Overload protection(CH1) 105%~170% normally operation, shut off after 10 sec.; >180%, constant current, shut off after 10 sec.
 (CH2) 101%~150% hiccup mode, auto-recovery
 Over voltage protection CH1: 115~140%, CH2: 110~135%
 Setup, rise, hold up time 1200ms, 60ms, 30ms at full load and 230VAC
 Withstand voltage I/P-O/P:3.0kVAC, I/P-FG:1.5kVAC, 1minute
 Working temperature -20°C~+70°C (refer to output derating curve)
 Safety standards UL60950-1, TUV EN60950-1 approved
 EMC standards EN55022 class B, EN61000-3-2,-3, EN61000-4-2,3,4,5,6,8,11, ENV50204
 Connection 5+10+2P/3.96mm pitch JST B5P/B10P-VH, B2B-XH
 Packing 0.74Kg ; 18pcs / 14.3Kg / 0.88CUFT

Stock No.	Model No.	Output	Tol.	R&N	Effi.
12311	PID-250A	12V, 0~15A	±3%	120mV	84%
12312	PID-250B	5V, 0~5.0A	±2%	50mV	86%
12313	PID-250C	24V, 0~9.4A	±2%	150mV	86%
12314	PID-250D	5V, 0~5.0A	±2%	50mV	86%
12314	PID-250D	36V, 0~6.3A	±2%	200mV	86%
12314	PID-250D	5V, 0~5.0A	±2%	50mV	86%
12314	PID-250D	48V, 0~4.7A	±2%	200mV	86%
12314	PID-250D	5V, 0~5.0A	±2%	50mV	86%

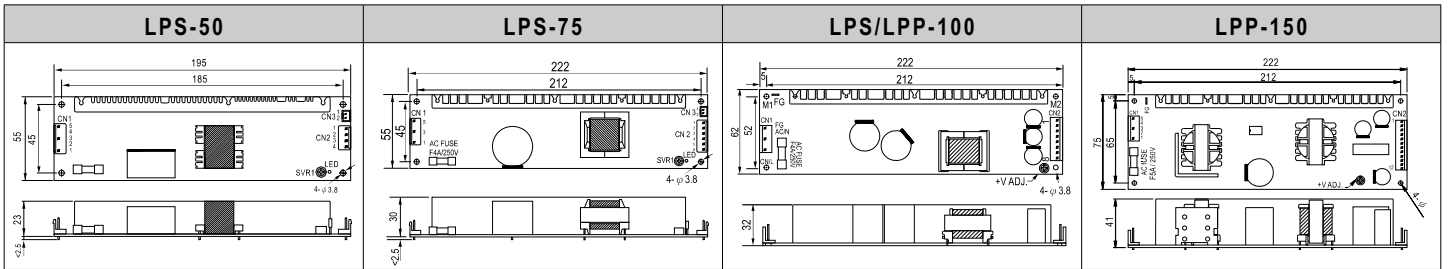
► Feature Description

PID-250 series is suitable for motor-based equipment with logic control circuit. CH1 with high peak power capability can provide the required surge loading while starting up the motor. The isolated 5V/5A CH2 is good for logic control usage and can still work properly even CH1 is malfunction or at any protection modes. The isolated design between CH1 and CH2 can significantly prevent noise of the motor action from entering control circuits and hence secure the accurate operation of the end equipment.



Features

- Universal AC input / Full range
- Built-in active PFC function (LPP-100/150)
- Protections: Short circuit / Overload / Over voltage
- Optional over temperature protection for LPP-150
- Built-in remote ON/OFF control (LPS-50/75)
- Cooling by free air convection
- 100% full load burn-in test
- 2 years warranty for LPS series
- 3 years warranty for LPP series



General Specification (Please refer to www.meanwell.com for detail spec.)



Model No.	LPS-50	LPS-75	LPS-100	LPP-100	LPP-150
AC input voltage range	90~264VAC		115/230 auto switch	85~264VAC	
AC inrush current (230VAC)	35A	36A	60A	30A	40A
DC adjustment range	±10% rated output voltage			-5~+10% rated output voltage	
OLP	Range	122%~160%	115%~150%	105%~140%	105%~150% rated output power
	Type	Hiccup mode, auto recovery			Constant current limiting, auto recovery
OVP	Range	110%~135% of rated output voltage			Shut off, AC recycle to re-start
	Type	Hiccup mode, auto recovery			
Withstand voltage	I/P-O/P: 3kVAC, I/P-FG:1.5kVAC, O/P-FG: 0.5kVAC, 1 minute				
Working temperature	-20~+70°C (refer to output derating curve)		-10~+60°C (refer to output derating curve)		
Safety standards	UL60950-1, TUV EN60950-1 approved				
EMC standards	EN55022 class B, EN61000-3-2,3, ENV50204, EN61000-4-2,3,4,5,6,8,11 (EN61000-6-2 heavy industry level for LPS-50/75 only)				
Connection	JST B5P / B4P-VH	JST B5P / B6P-VH	5P+8P/3.96mm pitch, JST B5P / B8P-VH		JST B5P / B6Px2-VH
Dimension (L*W*H)(mm)	195x 55x 23	222x 55x 30	222x 62x 32		222x 75x 41
Packing	48pcs / 12.5kg	48pcs / 15.6kg	24pcs / 12.5kg	24pcs / 13.9kg	24pcs / 16.6kg

50W LPS-50

Stock No.	Model No.	Output	Tol.	R&N	Effi.
12541	LPS-50-3.3	3.3V, 0~10A	±3%	50mV	75%
12542	LPS-50-5	5V, 0~10A	±3%	50mV	81%
12543	LPS-50-12	12V, 0~4.2A	±2%	80mV	82%
12544	LPS-50-15	15V, 0~3.4A	±2%	80mV	84%
12545	LPS-50-24	24V, 0~2.1A	±1%	80mV	85%
12546	LPS-50-48	48V, 0~1.1A	±1%	100mV	86%

75W LPS-75

Stock No.	Model No.	Output	Tol.	R&N	Effi.
12461	LPS-75-3.3	3.3V, 0~15A	±3%	80mV	69%
12462	LPS-75-5	5V, 0~15A	±3%	80mV	77%
12463	LPS-75-12	12V, 0~6.2A	±2%	100mV	80%
12464	LPS-75-15	15V, 0~5.0A	±2%	100mV	81%
12465	LPS-75-24	24V, 0~3.2A	±2%	120mV	83%
12466	LPS-75-48	48V, 0~1.56A	±2%	120mV	83%

100W LPS-100

Stock No.	Model No.	Output	Tol.	R&N	Effi.
12301	LPS-100-3.3	3.3V, 0~20A	±3%	150mV	69%
12302	LPS-100-5	5V, 0~20A	±3%	100mV	77%
12303	LPS-100-7.5	7.5V, 0~13.3A	±2%	100mV	77%
12304	LPS-100-12	12V, 0~8.4A	±2%	100mV	79%
12305	LPS-100-13.5	13.5V, 0~7.5A	±2%	100mV	79%
12306	LPS-100-15	15V, 0~6.7A	±2%	100mV	80%

12307	LPS-100-24	24V, 0~4.2A	±1%	150mV	80%
12308	LPS-100-27	27V, 0~3.8A	±1%	150mV	81%
12309	LPS-100-48	48V, 0~2.1A	±1%	200mV	81%

100W (with PFC Function) LPP-100

Stock No.	Model No.	Output	Tol.	R&N	Effi.
12321	LPP-100-3.3	3.3V, 0~20A	±2%	100mV	69%
12322	LPP-100-5	5V, 0~20A	±2%	100mV	75%
12323	LPP-100-7.5	7.5V, 0~13.5A	±2%	100mV	76%
12324	LPP-100-12	12V, 0~8.5A	±2%	100mV	79%
12325	LPP-100-13.5	13.5V, 0~7.5A	±2%	100mV	79%
12326	LPP-100-15	15V, 0~6.7A	±2%	100mV	80%
12327	LPP-100-24	24V, 0~4.2A	±1%	150mV	83%
12328	LPP-100-27	27V, 0~3.8A	±1%	150mV	83%
12329	LPP-100-48	48V, 0~2.1A	±1%	250mV	83%

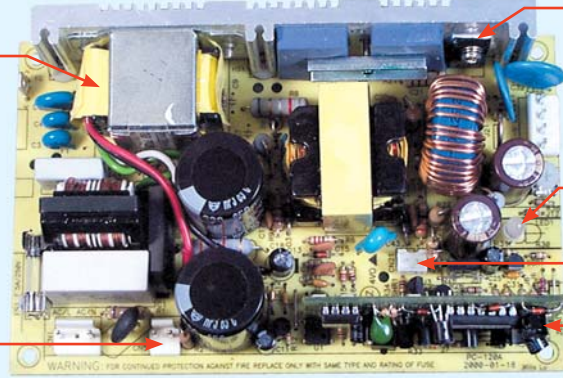
150W (with PFC Function) LPP-150

Stock No.	Model No.	Output	Tol.	R&N	Effi.
12331	LPP-150-3.3	3.3V, 0~30A	±2%	150mV	66%
12332	LPP-150-5	5V, 0~30A	±2%	100mV	72%
12333	LPP-150-7.5	7.5V, 0~20A	±2%	100mV	76%
12334	LPP-150-12	12V, 0~12.5A	±2%	100mV	79%
12335	LPP-150-13.5	13.5V, 0~11.2A	±2%	100mV	80%
12336	LPP-150-15	15V, 0~10A	±2%	100mV	80%
12337	LPP-150-24	24V, 0~6.3A	±1%	150mV	83%
12338	LPP-150-27	27V, 0~5.6A	±1%	150mV	83%
12339	LPP-150-48	48V, 0~3.2A	±1%	250mV	83%



PCB Type: 144x 90x 35 mm
External Case Type: 180x 96x 49 mm

Power Factor Correction Choke



Output Diode of Charger

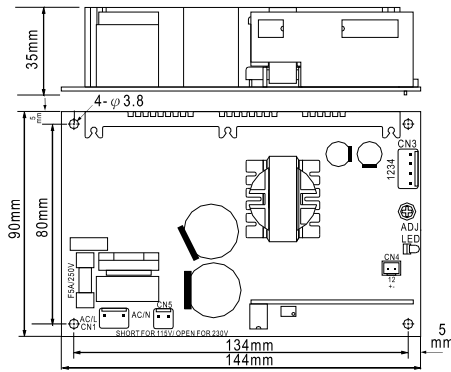
2 Color LED Indication

Fan Connector

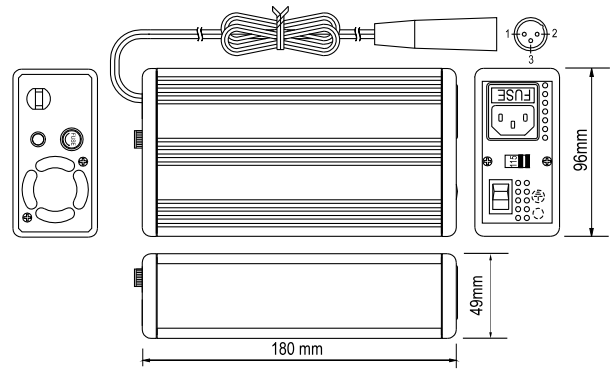
Fast Charging Circuit (A/B Selectable)

115 / 230 Selectable

P.C.B. Dimension



Case Drawing



Features

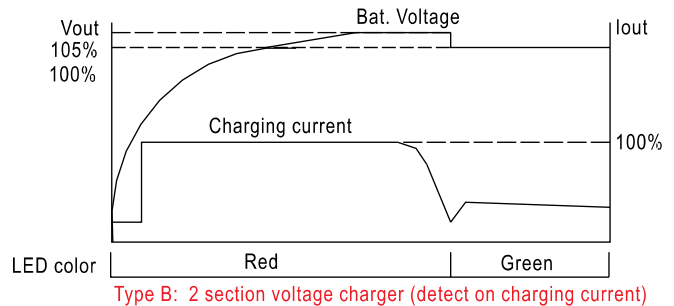
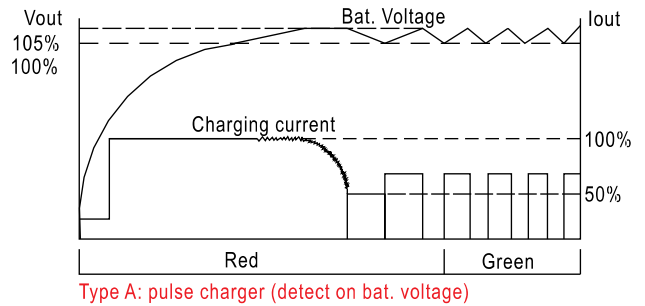
- AC input range selectable by switch
- Passive PFC, PF > 0.65(option)
- Protection for deeply discharged battery
- Protections: Short circuit / Overload / Over voltage / Over temp.
- Charger for lead-acid batteries
- Built-in ON/OFF power switch
- 3 poles AC inlet with fuse holder
- Charging type can be selected (option)
- 2 color LED loading indicator
- EN60335 approved
- Low cost, high reliability
- Open frame models available (without safety approval)
- 2 years warranty

General Specification

AC input voltage range 88~132VAC/ 176~264VAC selectable by switch
AC inrush current (max.) Cold start, 30A at 115VAC, 60A at 230VAC
Overload protection 90~110% constant current limiting ,auto-recovery (PS-120: 105~150% hiccup mode, auto recovery)
Over voltage protection 108~127% rated output voltage
Setup, rise, hold up time 1000ms, 50ms, 16ms at full load and 230VAC
Withstand voltage I/P-O/P: 3kVAC, I/P-FG: 1.5kVAC, O/P-FG: 0.5kVAC, 1 minute
Working temperature -10°C~45°C, derating curve may vary for different models (PS-120: -10~60°C)
Safety standards UL60950-1, TUV EN60950-1, EN60335, EN60335-1, EN60335-2-29 approved
EMC standards EN55022 class B, EN61000-4-2,3,4,5,6,8,11, EN61000-3-2,3, ENV50204
DC output cable 6 ft. of SPT-2, 18AWGx2C
Standard output connector ... MIC 3P, male type(standard type)
Packing 1.1kg ; 16pcs / 17.9kg / 1.47CUFT (without PFC)
1.24kg ; 16pcs / 20.1kg / 1.47CUFT (with PFC)

Stock No.	Model No.	Output	Tol.	R&N	Effi.
13	P□-120□-13□	13.8V, 0~7.2A	±3~±8.5%	150mV	70%
13	P□-120□-27□	27.6V, 0~4.3A	±1~±8.0%	200mV	76%
13	P□-120□-54□	55.2V, 0~2.2A	±1~±7.5%	250mV	78%

Charging Curve



Order Information

P A - 120 P - 13 C

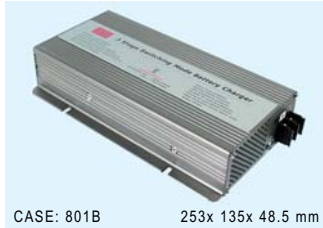
S: Power supply
A: Pulse charge
B: 2 section voltage charge
P: With PFC
N: None PFC

P : Open P.C.B.
C : With case

13: 13.8V
27: 27.6V
54: 55.2V

300W Single Output Battery Charger

UL_{US} CB CE
(except for 48V) (P type only)



CASE: 801B 253x 135x 48.5 mm

- Optimal 3 stage charging characteristic
- AC input range selectable by switch
- Passive PFC compliance to EN61000-3-2 class A (option)
- Protections: Reverse polarity / Short circuit / Over voltage / Over temperature
- Charger for lead-acid batteries
- Built-in ON/OFF power switch
- 3 poles AC inlet (IEC 320-C14)
- 2 color LED loading indicator
- Built-in remote ON/OFF control
- Cooling by free air convection
- 2 years warranty

AC input voltage range 90~132VAC / 180~264VAC selectable by switch
 AC inrush current (max.) .. Cold start, 60A at 230VAC
 Overload protection 90~110% constant current, auto-recovery
 Over voltage protection 108~125% rated output voltage
 Withstand voltage I/P-O/P: 3kVAC, I/P-FG: 1.5kVAC, 1 minute
 Working temperature -10°C~+50°C (refer to output derating curve)
 Safety standards IEC60335-2-29 CB approval by TUV
 (except for 48V), UL60950-1 approved
 EMC standards EN55022 class B, EN61000-4-2,3,4,5,6,8,11,
 EN61000-3-2,3 (P type), ENV50204
 Packing 1.45kg ; 6pcs / 9.7kg / 0.95CUFT

Stock No.	Model No.	Output (20 min.) / (Continuous at 25°C)	Effi.
13091~	PB-300□-12	14.4V, 20.85A / 12.5A	85%
	PB-300□-24	28.8V, 10.50A / 6.25A	86%
	PB-300□-48	57.6V, 5.3A / 3.20A	88%
□ = P: with PFC; N: non PFC			

360W Single Output Battery Charger

UL_{US} CB CE
(except for 48V) (P type only)



CASE: 801A 253x 135x 48.5 mm

- Optimal 3 stage charging characteristic
- AC input range selectable by switch
- Passive PFC compliance to EN61000-3-2 class A (option)
- Protections: Reverse polarity / Short circuit / Over voltage / Over temperature
- Charger for lead-acid batteries
- Built-in ON/OFF power switch
- 3 poles AC inlet (IEC 320-C14)
- 2 color LED loading indicator
- Built-in remote ON/OFF control
- Cooling by built-in DC fan
- 2 years warranty

AC input voltage range 90~132VAC / 180~264VAC selectable by switch
 AC inrush current (max.) .. Cold start, 60A at 230VAC
 Overload protection 90~110% constant current, auto-recovery
 Over voltage protection 108~125% rated output voltage
 Withstand voltage I/P-O/P: 3kVAC, I/P-FG: 1.5kVAC, 1 minute
 Working temperature -20°C~+60°C (refer to output derating curve)
 Safety standards IEC60335-2-29 CB approval by TUV
 (except for 48V), UL60950-1 approved
 EMC standards EN55022 class B, EN61000-4-2,3,4,5,6,8,11,
 EN61000-3-2,3 (P type), ENV50204
 Packing 1.5kg ; 6pcs / 10kg / 0.95CUFT

Stock No.	Model No.	Output	Effi.
13101~	PB-360□-12	14.4V, 24.3A	85%
	PB-360□-24	28.8V, 12.5A	86%
	PB-360□-48	57.6V, 6.25A	87%
□ = P: with PFC; N: non PFC			

600W Single Output Battery Charger

UL_{US} CB CE
(except for 48V)



CASE: 805C 230x 158x 70 mm

- 2/8 stage smart charger for lead-acid batteries
- Microprocessor controlled power management
- Universal AC input / Full range
- Built-in active PFC function PF>0.95
- Protections: Reverse polarity / Short circuit / Over voltage / Over temperature
- Built-in temp. compensation function
- Status signal sent by relay contacts
- 3 color LED loading indicator
- Built-in remote ON-OFF control
- Fan speed control
- 3 years warranty

AC input voltage range 90~264VAC, 127~370VDC
 AC inrush current (max.) .. Cold start, 50A at 230VAC
 Over voltage protection 110%~125% shut off, re-power on to recover
 Withstand voltage I/P-O/P: 3kVAC, I/P-FG: 1.5kVAC, 1 minute
 Working temperature -20°C~+60°C (refer to output derating curve)
 Safety standards EN60335-2-29(except for 48V), UL1012 approved
 EMC standards EN55022 class B, EN61000-4-2,3,4,5,6,8,11,
 EN61000-3-2,3, ENV50204
 Connection IEC inlet for input; copper pillars for output

Stock No.	Model No.	Output	Effi.
13291	PB-600-12	14.4V, 0~40.0A	86%
13292	PB-600-24	28.8V, 0~21.0A	87%
13293	PB-600-48	57.6V, 0~10.5A	89%

1000W Single Output Battery Charger

UL_{US} CB CE



CASE: 804B 300x 184x 70 mm

- 2/8 stage smart charger for lead-acid batteries
- Microprocessor controlled power management
- Universal AC input / Full range
- Built-in active PFC function PF>0.95
- Protections: Reverse polarity / Short circuit / Over voltage / Over temperature
- Built-in temp. compensation function
- Can be connected to 2 battery banks
- Status signal sent by relay contacts
- 3 color LED loading indicator
- Built-in remote ON-OFF control
- Fan speed control
- Charging curve can be modified for different battery applications (optional)
- 3 years warranty

AC input voltage range 90~264VAC / 127~370VDC
 AC inrush current (max.) Cold start, 50A at 230VAC
 Over voltage protection 110%~125% shut off, re-power on to recover
 Withstand voltage I/P-O/P: 3kVAC, I/P-FG: 1.5kVAC, 1 minute
 Working temperature -20°C~+60°C (refer to output derating curve)
 Safety standards UL60950-1, TUV EN60950-1 approved
 EMC standards EN55022 class B conducted, ENV50204,
 EN61000-4-2,3,4,5,6,8,11, EN61000-3-2,3
 Connection IEC inlet for input; copper pillars for output
 Packing 3.5kg ; 4pcs / 15kg / 1.83CUFT

Stock No.	Model No.	Output	Effi.
13271	PB-1000-12	14.4V, 60.0A	85%
13272	PB-1000-24	28.8V, 34.7A	88%
13273	PB-1000-48	57.6V, 17.4A	89%

108W Desktop Power Supply or Charger



- AC input range selectable by switch
- Protections: Short circuit / Overload / Over voltage / Over temp.
- 3 color LED loading indicator
- Battery under / over voltage and polarity protection (ESC only)
- Cooling by free air convection
- Fixed switching frequency at 25kHz
- 2 years warranty

AC input voltage range 88~132VAC / 176~264VAC selectable by switch
 AC inrush current Cold start, 40A at 230VAC
 DC adjustment range 13.5V: 12~15V, 27V: 24~30V, 54V: 48~56V
 Overload protection 105%~135% fold back current limiting, auto-recovery
 Over voltage protection 115%~135% rated output voltage
 Setup, rise, hold up time ... 200ms, 100ms, 36ms at full load and 230VAC
 Withstand voltage I/P-O/P: 3kVAC, I/P-FG: 1.5kVAC, 1minute
 Working temperature 0~35°C@100%, -10°C@80%, 60°C@60% load
 Safety standards CSA 61010-1 approved
 EMC standards EN55022 class B, EN61000-3-2,3, EN61000-4-2,3,4, ENV50204
 Packing 1.38kg ; 8pcs / 12.0kg / 1.1CUFT

Stock No.	Model No.	Output	Tol.	R&N	Effi.
13071	ESC-120-13.5	13.5V, 0~8A	±2%	120mV	81%
13072	ESC-120-27	27V, 0~4A	±1%	150mV	83%
13073	ESC-120-54	54V, 0~2A	±1%	400mV	84%
13074	ESP-120-13.5	13.5V, 0~8A	±2%	120mV	81%
13075	ESP-120-27	27V, 0~4A	±1%	150mV	83%
13076	ESP-120-54	54V, 0~2A	±1%	400mV	84%

216W Desktop Power Supply or Charger



- AC input range selectable by switch
- Protections: Short circuit / Overload / Over voltage / Over temp.
- 3 color LED loading indicator
- Battery under / over voltage and polarity protection (ESC only)
- Built-in DC fan with fan ON/OFF auto control at 50°C
- Fixed switching frequency at 25kHz
- 2 years warranty

AC input voltage range 88~132VAC / 176~264VAC selectable by switch
 AC inrush current Cold start, 40A at 230VAC
 DC adjustment range 13.5V: 12~15V, 27V: 24~30V, 54V: 48~56V
 Overload protection 105%~135% fold back current limiting, auto-recovery
 Over voltage protection 115%~135% rated output voltage
 Setup, rise, hold up time ... 200ms, 100ms, 30ms at full load and 230VAC
 Withstand voltage I/P-O/P: 3kVAC, I/P-FG: 1.5kVAC, 1minute
 Working temperature 0~40°C@100%, -10°C@80%, 60°C@60% load
 Safety standards CSA 61010-1 approved
 EMC standards EN55022 class B, EN61000-3-2,3, EN61000-4-2,3,4, ENV50204
 Packing 1.5kg ; 8pcs / 13.0kg / 1.1CUFT

Stock No.	Model No.	Output	Tol.	R&N	Effi.
13081	ESC-240-13.5	13.5V, 0~16A	±2%	120mV	81%
13082	ESC-240-27	27V, 0~8A	±1%	150mV	84%
13083	ESC-240-54	54V, 0~4A	±1%	400mV	85%
13084	ESP-240-13.5	13.5V, 0~16A	±2%	120mV	81%
13085	ESP-240-27	27V, 0~8A	±1%	150mV	84%
13086	ESP-240-54	54V, 0~4A	±1%	400mV	85%

30W Power Adaptor with Charging Function

- Universal AC input/ Full range
- Class II power (without earth pin)
- No load power consumption < 1.0W
- Constant current and voltage (CC, CV mode)
- High reliability
- Suitable for high surge current equipment
- Protections: Short circuit / Overload / Over voltage / Over temp.
- 2 color LED indicator for charging status
- Fully enclosed plastic case
- 2 years warranty



AC input voltage range 90~264VAC; 130~370VDC
 Overload protection 90~110% constant current mode and over 300% pulsing mode
 Over voltage protection 110~135% rated output voltage, clamp by Zener diode
 Withstand voltage I/P-O/P: 4242VDC, 1minute
 Working temperature 0~40°C @ 100% load, 50°C @ 70% load
 Safety standards UL60950-1, CSA 22.2, TUV EN60950-1
 EMC standards EN55014-1, EN61000-3-2,3, EN61000-4-2,3,4,5,6,11
 Length of output cable 180cm of UL1185, 18AWG
 Standard DC plug P1J: 2.1øx5.5øx11mm / C+, tuning fork type

Order No.	Output	R&N	Effi.
GC30□-0P1J	4.2V, 0~4.00A	50mV	55%
GC30□-1P1J	5.6V, 0~3.99A	50mV	70%
GC30□-11P1J	7.2V, 0~3.00A	80mV	74%
GC30□-2P1J	8.4V, 0~3.00A	80mV	76%
GC30□-4P1J	14.3V, 0~2.09A	100mV	78%
GC30□-5P1J	16.8V, 0~1.60A	100mV	78%
GC30□-6P1J	28.6V, 0~1.04A	150mV	80%

□ = B, U, E; B: IEC320-C8, U: US type plug, E: European type plug

200W Power Adaptor with Charging Function



- Universal AC input/ Full range
- No load power consumption < 0.5W
- Pass energy star level V
- Meet EISA 2007 (Energy Independence and Security Act)
- Built-in active PFC function, PF>0.95
- 3 pole AC inlet IEC320-C14
- Class I power (with earth pin)
- Protections: Short circuit / Overload / Over voltage / Over temp.
- Fully enclosed plastic case
- LED indicator for charging status
- 2 years warranty

AC input voltage range 90~264VAC; 135~370VDC
 Overload protection 105%~120% constant current, auto-recovery after fault condition is removed
 Over voltage protection 105~135% rated output voltage, auto-recovery
 Withstand voltage I/P-O/P: 3kVAC, I/P-FG: 1.5kVAC, 1minute
 Working temperature -20~50°C (refer to derating curve)
 Safety standards Design refer to UL60950-1, TUV EN60950-1, BSMI CNS14336, CCC GB4943, UL1012, EN60335-2-29
 EMC standards EN55022 class B, FCC part 15 class B, CNS13438 class B, GB9254 class B, EN61000-3-2,3, GB17625.1, EN61000-4-2,3,4,5,6,8,11, EN61000-4-2,3,4,5,6,11
 Length of output cable 100cm of UL2464, 16AWGx 4C
 Standard DC plug Power DIN 4P with lock type

Stock No.	Model No.	Output	R&N	Effi.
13991	GC200A12-R7B	13.6V, 13.5A	80mV	89%
13992	GC200A24-R7B	27.2V, 7.5A	100mV	91%
13993	GC200A48-R7B	54.4V, 3.8A	200mV	92%

6W Power Adaptor

- Universal AC input/ Full range
- No load power consumption < 0.5W
- Meet energy star level IV (CEC)
- Meet EISA 2007 (Energy Independence and Security Act)
- 2 pole US / European type plug
- Class II power (without earth pin)
- Full output 5~48V safety approved
- Protections: Short circuit / Overload / Over voltage
- Pass LPS
- Fully enclosed plastic case
- 2 years warranty



AC input voltage range 90~264VAC
 AC inrush current(max.) Cold start, <30A peak at 115VAC or <50A peak at 230VAC
 Overload protection Hiccup mode, auto-recovery
 Over voltage protection Clamp by zener diode > 120%
 Withstand voltage I/P-O/P: 4242VDC, 1minute
 Working temperature 0~40°C @ 100% load, 50°C @ 70% load
 Safety standards UL60950-1, CSA 22.2, TUV EN60950-1
 EMC standards EN55022-B, EN61000-3-2,3, EN61000-4-2,3,4,5,6,11
 Length of output cable 180cm of UL1185, 20AWG
 Standard DC plug P1J: 2.1øx5.5øx11mm / C+, tuning fork type (refer to page 70 for DC plug list)

◆ Power Adaptor with US Type Plug

Stock No.	Model No.	Output	Tol.	R&N	Effi.
14251	GS06U-1P1J	5V, 0~1.00A	±5%	50mV	67%
14252	GS06U-11P1J	7.5V, 0~0.80A	±5%	80mV	72%
14253	GS06U-2P1J	9V, 0~0.66A	±5%	80mV	74%
14254	GS06U-3P1J	12V, 0~0.50A	±3%	100mV	76%
14255	GS06U-4P1J	15V, 0~0.40A	±3%	120mV	77%
14256	GS06U-5P1J	18V, 0~0.33A	±3%	150mV	78%
14257	GS06U-6P1J	24V, 0~0.25A	±2%	180mV	80%
14258	GS06U-8P1J	48V, 0~0.125A	±2%	200mV	82%

◆ Power Adaptor with European Type Plug

Stock No.	Model No.	Output	Tol.	R&N	Effi.
14261	GS06E-1P1J	5V, 0~1.00A	±5%	50mV	67%
14262	GS06E-11P1J	7.5V, 0~0.80A	±5%	80mV	72%
14263	GS06E-2P1J	9V, 0~0.66A	±5%	80mV	74%
14264	GS06E-3P1J	12V, 0~0.50A	±3%	100mV	76%
14265	GS06E-4P1J	15V, 0~0.40A	±3%	120mV	77%
14266	GS06E-5P1J	18V, 0~0.33A	±3%	150mV	78%
14267	GS06E-6P1J	24V, 0~0.25A	±2%	180mV	80%
14268	GS06E-8P1J	48V, 0~0.12A	±2%	200mV	82%

12W Power Adaptor

- Universal AC input/ Full range
- No load power consumption < 0.3W
- Pass energy star level IV (CEC)
- Meet EISA 2007 (Energy Independence and Safety Act)
- 2 pole US / European type plug
- Class II power (without earth pin)
- Full output 5~24V safety approved
- Protections: Short circuit / Overload / Over voltage / Over temperature
- Pass LPS
- Fully enclosed plastic case
- 2 years warranty



AC input voltage range90~264VAC
 AC inrush current(max.) Cold start, <25A peak at 115VAC or 45A peak at 230VAC
 Overload protection Hiccup mode, auto-recovery
 Over voltage protection 115%~135% clamp by zener diode
 Withstand voltage I/P-O/P: 3KVAC, 1minute
 Working temperature0~40°C @ 100% load, 50°C @ 70% load
 Safety standards UL60950-1, CSA 22.2, TUV EN60950-1, CNS14336
 EMC standards EN55022-B, EN61204-3, EN61000-3-2,3, EN61000-4-2,3,4,5,6,8,11, FCC part15 class B, CNS13438
 Length of output cable180cm of UL1185, 18AWG or 120cm length for 5V output
 Standard DC plugP1I: 2.1øx 5.5øx 9.5mm / C+, tuning fork type (refer to page 70 for DC plug list)

◆ Power Adaptor with US Type Plug

Stock No.	Model No.	Output	Tol.	R&N	Effi.
14301	GS12U05-P1I	5V, 0~2.00A	±5%	75mV	72%
14302	GS12U07-P1I	7.5V, 0~1.60A	±4%	90mV	75%
14303	GS12U09-P1I	9V, 0~1.33A	±4%	90mV	76%
14304	GS12U12-P1I	12V, 0~1.00A	±3%	120mV	77%
14305	GS12U15-P1I	15V, 0~0.80A	±3%	150mV	79%
14306	GS12U18-P1I	18V, 0~0.67A	±3%	180mV	80%
14307	GS12U24-P1I	24V, 0~0.50A	±3%	200mV	80%

◆ Power Adaptor with European Type Plug

Stock No.	Model No.	Output	Tol.	R&N	Effi.
14311	GS12E05-P1I	5V, 0~2.00A	±5%	75mV	72%
14312	GS12E07-P1I	7.5V, 0~1.60A	±4%	90mV	75%
14313	GS12E09-P1I	9V, 0~1.33A	±4%	90mV	76%
14314	GS12E12-P1I	12V, 0~1.00A	±3%	120mV	77%
14315	GS12E15-P1I	15V, 0~0.80A	±3%	150mV	79%
14316	GS12E18-P1I	18V, 0~0.67A	±3%	180mV	80%
14317	GS12E24-P1I	24V, 0~0.50A	±3%	200mV	80%



Energy Saving —

We care about energy saving. This logo represents that this model has "low no load power consumption"!



We are a TQM (Total Quality Management) company and ISO-9001 certified since 1994.



■ Features

- Universal AC input/ Full range
- No load power consumption < 0.5W
- Meet energy star level IV (CEC) for 5~48V
- Meet EISA 2007 (Energy Independence and Security Act) for 5~48V
- Full output 3~48V safety approved
- Protections:
Short circuit / Overload / Over voltage
- Pass LPS
- Fully enclosed plastic case
- 2 years warranty

■ General Specification (Please refer to www.meanwell.com for detail spec.)



AC input voltage range	90~264VAC
AC inrush current (max.)	Cold start, <30A peak at 115VAC or <50A peak at 230VAC
Overload protection	Hiccup mode, auto-recovery for power adaptor; Constant current for high surge current
Over voltage protection	Clamp by zener diode > 120%
Withstand voltage	I/P - O/P: 3kVAC, I/P - FG: 1.5kVAC, 1 minute
Working temperature	0~40°C @ 100% load, 50°C @ 70% load
Safety standards	UL60950-1, CSA 22.2, TUV EN60950-1 approved
EMC standards	EN55022-B, EN61000-3-2,3, EN61000-4-2,3,4,5,6,11
Length of output cable	180cm of UL1185, 18AWG or 150cm length for 3.3V output
Standard DC plug	P1J: 2.1øx5.5øx11mm / C+, tuning fork type (refer to Page 70 for DC plug list)

■ Desktop (IEC320-C14 / class I)

Order No.	Output	Tol.	R&N	Effi.
GS15A-0P1J	3.3V, 0~2.18A	±6%	50mV	55%
GS15A-1P1J	5.0V, 0~2.40A	±5%	50mV	65%
GS15A-11P1J	7.5V, 0~1.60A	±5%	80mV	72%
GS15A-2P1J	9.0V, 0~1.66A	±5%	80mV	74%
GS15A-3P1J	12V, 0~1.25A	±3%	80mV	76%
GS15A-4P1J	15V, 0~1.00A	±3%	100mV	77%
GS15A-5P1J	18V, 0~0.83A	±3%	120mV	78%
GS15A-6P1J	24V, 0~0.62A	±2%	150mV	80%
GS15A-8P1J	48V, 0~0.31A	±2%	240mV	81%

■ Wall-mounted (European Type / class II)

Order No.	Output	Tol.	R&N	Effi.
GS15E-0P1J	3.3V, 0~2.18A	±6%	50mV	55%
GS15E-1P1J	5.0V, 0~2.40A	±5%	50mV	65%
GS15E-11P1J	7.5V, 0~1.60A	±5%	80mV	72%
GS15E-2P1J	9.0V, 0~1.66A	±5%	80mV	74%
GS15E-3P1J	12V, 0~1.25A	±3%	80mV	76%
GS15E-4P1J	15V, 0~1.00A	±3%	100mV	77%
GS15E-5P1J	18V, 0~0.83A	±3%	120mV	78%
GS15E-6P1J	24V, 0~0.62A	±2%	150mV	80%
GS15E-8P1J	48V, 0~0.31A	±2%	240mV	81%

■ Desktop (IEC320-C8 / class II)

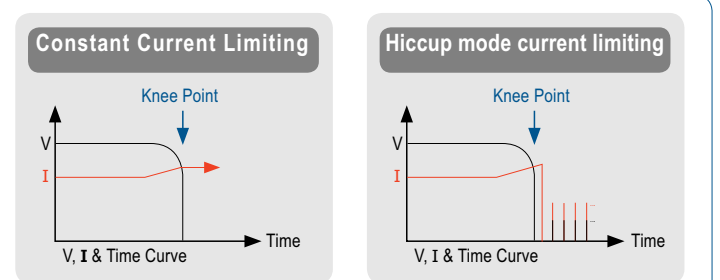
Order No.	Output	Tol.	R&N	Effi.
GS15B-0P1J	3.3V, 0~2.18A	±6%	50mV	55%
GS15B-1P1J	5.0V, 0~2.40A	±5%	50mV	65%
GS15B-11P1J	7.5V, 0~1.60A	±5%	80mV	72%
GS15B-2P1J	9.0V, 0~1.66A	±5%	80mV	74%
GS15B-3P1J	12V, 0~1.25A	±3%	80mV	76%
GS15B-4P1J	15V, 0~1.00A	±3%	100mV	77%
GS15B-5P1J	18V, 0~0.83A	±3%	120mV	78%
GS15B-6P1J	24V, 0~0.62A	±2%	150mV	80%
GS15B-8P1J	48V, 0~0.31A	±2%	240mV	81%

■ Wall-mounted (US Type / class II)

Order No.	Output	Tol.	R&N	Effi.
GS15U-0P1J	3.3V, 0~2.18A	±6%	50mV	55%
GS15U-1P1J	5.0V, 0~2.40A	±5%	50mV	65%
GS15U-11P1J	7.5V, 0~1.60A	±5%	80mV	72%
GS15U-2P1J	9.0V, 0~1.66A	±5%	80mV	74%
GS15U-3P1J	12V, 0~1.25A	±3%	80mV	76%
GS15U-4P1J	15V, 0~1.00A	±3%	100mV	77%
GS15U-5P1J	18V, 0~0.83A	±3%	120mV	78%
GS15U-6P1J	24V, 0~0.62A	±2%	150mV	80%
GS15U-8P1J	48V, 0~0.31A	±2%	240mV	81%

► Special Models Suitable for High Surge Current

GS06 and GS15 also have models with "constant current limiting" instead of "hiccup type" as the overload protection which are suitable for peak load usage. Please refer to the overload curves that specify the output voltage / output current characteristics of these two overload protection types. If you are interested in the models with "constant current limiting" function, please contact with your sales representative for details!





Features

- Universal AC input / Full range
- No load power consumption < 0.5W
- Pass energy star level IV (CEC)
- Meet EISA 2007 (Energy Independence and Security Act) for 5~48V
- 2 pole USA / EURO plug or IEC320-C14/C8
- Class I power (with earth pin) only for IEC320-C14
- Full output 5~48V safety approved
- Protections: Short circuit / Overload / Over voltage
- Fully enclosed plastic case
- LED indicator for power on
- Pass LPS
- Approvals:
 - UL / CUL / TUV / BSMI / CB / FCC / CE for desktop type
 - TUV / CB / CE for European type plug
 - UL / CUL / BSMI / CB / FCC for US type plug
- 2 years warranty

General Specification (Please refer to www.meanwell.com for detail spec.)



AC input voltage range	90~264VAC / 0.5A for 18W; 90~264VAC / 0.7A for 25W
AC inrush current (max.)	Cold start, <25A peak at 115VAC; Cold start, <50A peak at 230VAC
Overload protection	Hiccup mode, auto-recovery
Over voltage protection	105~135% rated output voltage
Setup, rise, hold up time	500ms, 20ms, 50ms@ 230VAC input
Withstand voltage	I/P - O/P: 4242VDC, 1 minute
Working temperature	0~40°C @ 100% load, 50°C @ 70% load
Safety standards	UL60950-1, CSA 22.2, EN60950-1, BSMI CNS14336 approved
EMC standards	EN55022 class B, EN61000-3-2,3, EN61000-4-2,3,4,5,6,8,11, FCC part 15 class B
Length of output cable	180cm of UL1185, 18AWG or 120cm, 16AWG for 5V output
Standard DC plug	P1J: 2.1øx5.5øx11mm / C+, tuning fork type (refer to page 70 for DC plug list)

Desktop—18W

□=A/B

Order No.	Output	Tol.	R&N	Effi.
GS18□05-P1J	5V, 0~3.00A	±5%	50mV	73%
GS18□07-P1J	7.5V, 0~2.00A	±5%	80mV	79%
GS18□09-P1J	9V, 0~2.00A	±5%	80mV	79%
GS18□12-P1J	12V, 0~1.50A	±3%	80mV	81%
GS18□15-P1J	15V, 0~1.20A	±3%	100mV	81%
GS18□18-P1J	18V, 0~1.00A	±3%	150mV	82%
GS18□24-P1J	24V, 0~0.75A	±2%	180mV	84%
GS18□28-P1J	28V, 0~0.64A	±2%	240mV	84%
GS18□48-P1J	48V, 0~0.375A	±2%	240mV	85%

A: IEC 320-C14 / Class I, B: IEC 320-C8 / Class II

Desktop—25W

□=A/B

Order No.	Output	Tol.	R&N	Effi.
GS25□05-P1J	5V, 0~4.00A	±5%	50mV	74%
GS25□07-P1J	7.5V, 0~2.93A	±5%	80mV	78%
GS25□09-P1J	9V, 0~2.77A	±5%	80mV	79%
GS25□12-P1J	12V, 0~2.08A	±3%	80mV	81%
GS25□15-P1J	15V, 0~1.66A	±3%	100mV	82%
GS25□18-P1J	18V, 0~1.38A	±3%	150mV	82%
GS25□24-P1J	24V, 0~1.04A	±2%	180mV	83%
GS25□28-P1J	28V, 0~0.89A	±2%	240mV	83%
GS25□48-P1J	48V, 0~0.52A	±2%	240mV	84%

A: IEC 320-C14 / Class I, B: IEC 320-C8 / Class II

Wall-mounted—18W

□=U/E

Order No.	Output	Tol.	R&N	Effi.
GS18□05-P1J	5V, 0~3.00A	±5%	50mV	73%
GS18□07-P1J	7.5V, 0~2.00A	±5%	80mV	79%
GS18□09-P1J	9V, 0~2.00A	±5%	80mV	79%
GS18□12-P1J	12V, 0~1.50A	±3%	80mV	81%
GS18□15-P1J	15V, 0~1.20A	±3%	100mV	81%
GS18□18-P1J	18V, 0~1.00A	±3%	150mV	82%
GS18□24-P1J	24V, 0~0.75A	±2%	180mV	84%
GS18□28-P1J	28V, 0~0.64A	±2%	240mV	84%
GS18□48P1J	48V, 0~0.375A	±2%	240mV	85%

U: US type plug, E: European type plug

Wall-mounted—25W

□=U/E

Order No.	Output	Tol.	R&N	Effi.
GS25□05-P1J	5V, 0~4.00A	±5%	50mV	74%
GS25□07-P1J	7.5V, 0~2.93A	±5%	80mV	78%
GS25□09-P1J	9V, 0~2.77A	±5%	80mV	79%
GS25□12-P1J	12V, 0~2.08A	±3%	80mV	81%
GS25□15-P1J	15V, 0~1.66A	±3%	100mV	82%
GS25□18-P1J	18V, 0~1.38A	±3%	150mV	82%
GS25□24-P1J	24V, 0~1.04A	±2%	180mV	83%
GS25□28-P1J	28V, 0~0.89A	±2%	240mV	83%
GS25□48-P1J	48V, 0~0.52A	±2%	240mV	84%

U: US type plug, E: European type plug



▲ **GE12** 70.7x 40x 38.8 mm ▲ **GE18/24** 81x 43x 40.5 mm

■ Features

- Interchangeable AC plugs (plug kit sold separately)
- Universal AC input / Full range
- No load power consumption <0.3W
- Meet energy star level V (CEC), except for 48V
- Meet EISA 2007 (Energy Independence and Security Act)
- Class II power (without earth pin)
- Protections: Short circuit / Over voltage / Overload
- Fully enclosed plastic case
- LED indicator for power on
- Pass LPS
- Approvals:
UL / CUL / TUV / CCC / CB / FCC / CE / C-Tick for GE12
UL / CUL / TUV / CB / FCC / CE / C-Tick for GE18/24
- 2 years warranty

■ General Specification (Please refer to www.meanwell.com for detail spec.)



AC input voltage range	90~264VAC / 0.4A for GE12; 90~264VAC / 0.7A for GE18/24
AC inrush current (max.)	Cold start, <40A peak at 100VAC; Cold start, <80A peak at 230VAC
Overload protection	Hiccup mode, auto-recovery
Over voltage protection	105~135% rated output voltage
Setup, rise, hold up time	4000ms, 100ms, 30ms at 230VAC input
Withstand voltage	I/P-O/P:4242VDC, 1 minute
Working temperature	0~30°C @ 100% load, 40°C @ 75% load, 50°C @ 50% load
Safety standards	UL60950-1, CSA22.2, EN60950-1 approved
EMC standards	EN55022 class B, EN61000-3-2,3, EN61000-4-2,3,4,5,6,8,11, FCC part15 class B
Length of output cable	150cm of UL2468, 20AWG for GE12; 150cm of UL2468, 18AWG for GE18/24
Standard DC plug	P1J: 2.1øx5.5øx11mm / C+, tuning fork type (refer to page 70 for DC plug list)

■ Wall-mounted (Interchangeable Type)—12W

Stock No.	Order No. (Main body)	Output	Tol.	R&N	Effi.
14431	GE12105-P1J	5V, 0~2.00A	±5%	50mV	70%
14432	GE12107-P1J	7.5V, 0~1.33A	±5%	75mV	72%
14433	GE12109-P1J	9V, 0~1.33A	±5%	100mV	75%
14434	GE12112-P1J	12V, 0~1.00A	±3%	120mV	76%
14435	GE12115-P1J	15V, 0~0.80A	±3%	150mV	76%
14436	GE12118-P1J	18V, 0~0.83A	±3%	180mV	78%
14437	GE12124-P1J	24V, 0~0.625A	±3%	240mV	80%

■ Wall-mounted (Interchangeable Type)—24W

Stock No.	Order No. (Main body)	Output	Tol.	R&N	Effi.
14451	GE24105-P1J	5V, 0~3.00A	±5%	50mV	72%
14452	GE24107-P1J	7.5V, 0~2.00A	±5%	75mV	75%
14453	GE24109-P1J	9V, 0~2.22A	±5%	100mV	75%
14454	GE24112-P1J	12V, 0~2.00A	±3%	120mV	78%
14455	GE24115-P1J	15V, 0~1.60A	±3%	150mV	80%
14456	GE24118-P1J	18V, 0~1.33A	±3%	180mV	80%
14457	GE24124-P1J	24V, 0~1.00A	±3%	240mV	81%
14458	GE24148-P1J	48V, 0~0.50A	±3%	300mV	81%

■ Wall-mounted (Interchangeable Type)—18W

Stock No.	Order No. (Main body)	Output	Tol.	R&N	Effi.
14441	GE18105-P1J	5V, 0~2.40A	±5%	50mV	72%
14442	GE18107-P1J	7.5V, 0~1.73A	±5%	75mV	75%
14443	GE18109-P1J	9V, 0~2.00A	±5%	100mV	75%
14444	GE18112-P1J	12V, 0~1.50A	±3%	120mV	78%
14445	GE18115-P1J	15V, 0~1.20A	±3%	150mV	80%
14446	GE18118-P1J	18V, 0~1.00A	±3%	180mV	80%
14447	GE18124-P1J	24V, 0~0.75A	±3%	240mV	81%
14448	GE18148-P1J	48V, 0~0.375A	±3%	300mV	81%

► Interchangeable AC Inlet Plug

AC Inlet Plug Type		
	Australian Type	U.K. Type
AC Inlet Plug Order No.	AC Plug-AU	AC Plug-UK
AC Inlet Plug Type		
	European Type	U.S. Type
AC Inlet Plug Order No.	AC Plug-EU	AC Plug-US

Note: Main body unit and AC inlet plug should be ordered separately; it needs to be used along with any of the AC inlet plug.



■ Features

- Universal AC input / Full range
- Full output 3~48V safety approved
- Protections: Short circuit / Overload / Over voltage
- Fully enclosed plastic case
- LED indicator for power on
- Approvals:
UL / CUL / TUV / BSMI / CCC / CB / FCC / CE for ES18 Series
UL / CUL / TUV / BSMI / CB / FCC / CE for ES25 Series
- 1 year warranty

■ General Specification (Please refer to www.meanwell.com for detail spec.)



AC input voltage range	90~264VAC
AC inrush current (max.)	Cold start, <20A peak at 115VAC or <40A peak at 230VAC
Overload protection	Hiccup mode, auto-recovery
Over voltage protection	Clamp by zener diode > 120%
Withstand voltage	I/P - O/P: 3kVAC, I/P - FG: 1.5kVAC, 1 minute
Working temperature	0~40°C @ 100% load, 50°C @ 70% load
Safety standards	UL60950-1, CSA 22.2, TUV EN60950-1, BSMI CNS14336, CCC GB4943 approved
EMC standards	EN55022 class B, EN61000-3-2,3, EN61000-4-2,3,4,5,6,11, FCC part 15 class B, CNS13438
Length of output cable	180cm of UL1185, 18AWG
Standard DC plug	P1J: 2.1øx 5.5øx 11mm / C+, tuning fork type (refer to page 70 for DC plug list)

■ Desktop (IEC 320-C14 / Class I) —18W

Stock No.	Order No.	Output	Tol.	R&N	Effi.
13801	ES18A03-P1J	3.3V, 0.3~2.72A	±5%	50mV	55%
13802	ES18A05-P1J	5.0V, 0.3~3.00A	±5%	50mV	70%
13803	ES18A07-P1J	7.5V, 0.3~2.00A	±5%	80mV	72%
13804	ES18A09-P1J	9.0V, 0.2~2.00A	±5%	80mV	72%
13805	ES18A12-P1J	12V, 0.15~1.50A	±3%	80mV	74%
13806	ES18A15-P1J	15V, 0.1~1.20A	±3%	100mV	77%
13807	ES18A18-P1J	18V, 0.1~1.00A	±3%	150mV	78%
13808	ES18A24-P1J	24V, 0.1~0.75A	±2%	180mV	80%
13809	ES18A28-P1J	28V, 0.06~0.64A	±2%	240mV	81%
13810	ES18A48-P1J	48V, 0.05~0.375A	±2%	240mV	82%

■ Desktop (IEC 320-C14 / Class I) —25W

Stock No.	Order No.	Output	Tol.	R&N	Effi.
13832	ES25A05-P1J	5.0V, 0.4~4.00A	±5%	50mV	70%
13833	ES25A07-P1J	7.5V, 0.3~2.93A	±5%	80mV	72%
13834	ES25A09-P1J	9.0V, 0.2~2.77A	±5%	80mV	76%
13835	ES25A12-P1J	12V, 0.1~2.08A	±3%	80mV	76%
13836	ES25A15-P1J	15V, 0.1~1.66A	±3%	100mV	78%
13837	ES25A18-P1J	18V, 0.1~1.38A	±3%	150mV	80%
13838	ES25A24-P1J	24V, 0.1~1.04A	±2%	180mV	82%
13839	ES25A28-P1J	28V, 0.1~0.89A	±2%	240mV	82%
13840	ES25A48-P1J	48V, 0.05~0.52A	±2%	240mV	82%

■ Desktop (IEC 320-C8 / Class II) —18W

Stock No.	Order No.	Output	Tol.	R&N	Effi.
13811	ES18B03-P1J	3.3V, 0.3~2.72A	±5%	50mV	55%
13812	ES18B05-P1J	5.0V, 0.3~3.00A	±5%	50mV	70%
13813	ES18B07-P1J	7.5V, 0.3~2.00A	±5%	80mV	72%
13814	ES18B09-P1J	9.0V, 0.2~2.00A	±5%	80mV	72%
13815	ES18B12-P1J	12V, 0.15~1.50A	±3%	80mV	74%
13816	ES18B15-P1J	15V, 0.1~1.20A	±3%	100mV	77%
13817	ES18B18-P1J	18V, 0.1~1.00A	±3%	150mV	78%
13818	ES18B24-P1J	24V, 0.1~0.75A	±2%	180mV	80%
13819	ES18B28-P1J	28V, 0.06~0.64A	±2%	240mV	81%
13820	ES18B48-P1J	48V, 0.05~0.375A	±2%	240mV	82%

■ Desktop (IEC 320-C8 / Class II) —25W

Stock No.	Order No.	Output	Tol.	R&N	Effi.
13842	ES25B05-P1J	5.0V, 0.4~4.00A	±5%	50mV	70%
13843	ES25B07-P1J	7.5V, 0.3~2.93A	±5%	80mV	72%
13844	ES25B09-P1J	9.0V, 0.2~2.77A	±5%	80mV	76%
13845	ES25B12-P1J	12V, 0.1~2.08A	±3%	80mV	76%
13846	ES25B15-P1J	15V, 0.1~1.66A	±3%	100mV	78%
13847	ES25B18-P1J	18V, 0.1~1.38A	±3%	150mV	80%
13848	ES25B24-P1J	24V, 0.1~1.04A	±2%	180mV	82%
13849	ES25B28-P1J	28V, 0.1~0.89A	±2%	240mV	82%
13850	ES25B48-P1J	48V, 0.05~0.52A	±2%	240mV	82%

■ Desktop (IEC 320-C6 / Class I) —18W

Stock No.	Order No.	Output	Tol.	R&N	Effi.
13821	ES18C03-P1J	3.3V, 0.3~2.72A	±5%	50mV	55%
13822	ES18C05-P1J	5.0V, 0.3~3.00A	±5%	50mV	70%
13823	ES18C07-P1J	7.5V, 0.3~2.00A	±5%	80mV	72%
13824	ES18C09-P1J	9.0V, 0.2~2.00A	±5%	80mV	72%
13825	ES18C12-P1J	12V, 0.15~1.50A	±3%	80mV	74%
13826	ES18C15-P1J	15V, 0.1~1.20A	±3%	100mV	77%
13827	ES18C18-P1J	18V, 0.1~1.00A	±3%	150mV	78%
13828	ES18C24-P1J	24V, 0.1~0.75A	±2%	180mV	80%
13829	ES18C28-P1J	28V, 0.06~0.64A	±2%	240mV	81%
13830	ES18C48-P1J	48V, 0.05~0.375A	±2%	240mV	82%

■ Desktop (IEC 320-C6 / Class I) —25W

Stock No.	Order No.	Output	Tol.	R&N	Effi.
13852	ES25C05-P1J	5.0V, 0.4~4.00A	±5%	50mV	70%
13853	ES25C07-P1J	7.5V, 0.3~2.93A	±5%	80mV	72%
13854	ES25C09-P1J	9.0V, 0.2~2.77A	±5%	80mV	76%
13855	ES25C12-P1J	12V, 0.1~2.08A	±3%	80mV	76%
13856	ES25C15-P1J	15V, 0.1~1.66A	±3%	100mV	78%
13857	ES25C18-P1J	18V, 0.1~1.38A	±3%	150mV	80%
13858	ES25C24-P1J	24V, 0.1~1.04A	±2%	180mV	82%
13859	ES25C28-P1J	28V, 0.1~0.89A	±2%	240mV	82%
13860	ES25C48-P1J	48V, 0.05~0.52A	±2%	240mV	82%



■ Features

- Universal AC input / Full range
- 2 pole US / European type plug
- Class II power (without earth pin)
- Full output 3~48V safety approval
- Protections:
Short circuit / Overload / Over voltage
- Fully enclosed plastic case
- LED indicator for power on
- Approvals:
UL / CUL / BSMI / CB / FCC / CE for US type plug
TUV / CB / CE for European type plug
- 1 year warranty

■ General Specification (Please refer to www.meanwell.com for detail spec.)



Order No.	ES18U	ES25U	ES18E	ES25E
AC input voltage range	90~264VAC / 0.5A for18W; 90~264VAC / 0.7A for 25W			
AC inrush current (max.)	Cold start, <20A peak at 115VAC; Cold start, <40A peak at 230VAC			
Overload protection	Hiccup mode, auto-recovery			
Over voltage protection	Clamp by zener diode > 120%			
Setup, rise, hold up time	300ms, 100ms, 16ms@ 230VAC input for ES18; 600ms, 50ms, 16ms@230VAC input for ES25			
Withstand voltage	I/P - O/P: 3kVAC, 1 minute			
Working temperature	0~40°C @ 100% load, 50°C @ 70% load			
Safety standards	UL60950-1, CSA 22.2, CNS14336		EN60950-1	
EMC standards	EN55022 class B, EN61000-3-2,3, EN61000-4-2,3,4,5,6,11, FCC part 15 class B			
Length of output cable	180cm of UL1185, 18AWG			
Standard DC plug	P1J: 2.1øx5.5øx11mm / C+, tuning fork type (refer to page 70 for DC plug list)			

■ Wall-mounted (US type / Class II) —18W

Stock No.	Order No.	Output	Tol.	R&N	Effi.
14331	ES18U03-P1J	3.3V, 0.3~2.72A	±5%	50mV	55%
14332	ES18U05-P1J	5.0V, 0.3~3.00A	±5%	50mV	70%
14333	ES18U07-P1J	7.5V, 0.3~2.00A	±5%	80mV	72%
14334	ES18U09-P1J	9.0V, 0.2~2.00A	±5%	80mV	72%
14335	ES18U12-P1J	12V, 0.15~1.50A	±3%	80mV	74%
14336	ES18U15-P1J	15V, 0.1~1.20A	±3%	100mV	77%
14337	ES18U18-P1J	18V, 0.1~1.00A	±3%	150mV	78%
14338	ES18U24-P1J	24V, 0.1~0.75A	±2%	180mV	80%
14339	ES18U28-P1J	28V, 0.06~0.64A	±2%	240mV	81%
14340	ES18U48-P1J	48V, 0.05~0.375A	±2%	240mV	82%

■ Wall-mounted (US type / Class II) —25W

Stock No.	Order No.	Output	Tol.	R&N	Effi.
14351	ES25U05-P1J	5.0V, 0.4~4.00A	±5%	50mV	70%
14352	ES25U07-P1J	7.5V, 0.3~2.93A	±5%	80mV	72%
14353	ES25U09-P1J	9.0V, 0.2~2.77A	±5%	80mV	76%
14354	ES25U12-P1J	12V, 0.1~2.08A	±3%	80mV	76%
14355	ES25U15-P1J	15V, 0.1~1.66A	±3%	100mV	78%
14356	ES25U18-P1J	18V, 0.1~1.38A	±3%	150mV	80%
14357	ES25U24-P1J	24V, 0.1~1.04A	±2%	180mV	82%
14358	ES25U28-P1J	28V, 0.1~0.89A	±2%	240mV	82%
14359	ES25U36-P1J	36V, 0.06~0.69A	±2%	240mV	82%
14360	ES25U48-P1J	48V, 0.05~0.52A	±2%	240mV	82%

■ Wall-mounted (European type / Class II) —18W

Stock No.	Order No.	Output	Tol.	R&N	Effi.
14321	ES18E03-P1J	3.3V, 0.3~2.72A	±5%	50mV	55%
14322	ES18E05-P1J	5.0V, 0.3~3.00A	±5%	50mV	70%
14323	ES18E07-P1J	7.5V, 0.3~2.00A	±5%	80mV	72%
14324	ES18E09-P1J	9.0V, 0.2~2.00A	±5%	80mV	72%
14325	ES18E12-P1J	12V, 0.15~1.50A	±3%	80mV	74%
14326	ES18E15-P1J	15V, 0.1~1.20A	±3%	100mV	77%
14327	ES18E18-P1J	18V, 0.1~1.00A	±3%	150mV	78%
14328	ES18E24-P1J	24V, 0.1~0.75A	±2%	180mV	80%
14329	ES18E28-P1J	28V, 0.06~0.64A	±2%	240mV	81%
14330	ES18E48-P1J	48V, 0.05~0.375A	±2%	240mV	82%

■ Wall-mounted (European type / Class II) —25W

Stock No.	Order No.	Output	Tol.	R&N	Effi.
14341	ES25E05-P1J	5.0V, 0.4~4.00A	±5%	50mV	70%
14342	ES25E07-P1J	7.5V, 0.3~2.93A	±5%	80mV	72%
14343	ES25E09-P1J	9.0V, 0.2~2.77A	±5%	80mV	76%
14344	ES25E12-P1J	12V, 0.1~2.08A	±3%	80mV	76%
14345	ES25E15-P1J	15V, 0.1~1.66A	±3%	100mV	78%
14346	ES25E18-P1J	18V, 0.1~1.38A	±3%	150mV	80%
14347	ES25E24-P1J	24V, 0.1~1.04A	±2%	180mV	82%
14348	ES25E28-P1J	28V, 0.1~0.89A	±2%	240mV	82%
14349	ES25E36-P1J	36V, 0.06~0.69A	±2%	240mV	82%
14350	ES25E48-P1J	48V, 0.05~0.52A	±2%	240mV	82%



Features

- Universal AC input / Full range
- Full output 3~48V safety approved
- Protections: Short circuit / Overload / Over voltage / Over temp.
- Fully enclosed plastic case
- Fixed switching frequency and regulation
- Topology: Top switch circuit
- LED indicator for power on
- 1 year warranty for P25A / P25B
- 2 years warranty for P30A / P30B / P40A / P40B

General Specification (Please refer to www.meanwell.com for detail spec.)



Order No.	P25A	P25B	P30A	P30B	P40A	P40B
AC input voltage range	90~264VAC / 0.8A				90~264VAC / 1.0A	
AC inrush current (max.)	Cold start, <60A peak at 230VAC					
Overload protection	Hiccup mode, auto-recovery					
Over voltage protection	110~140% of +5V output			110~140% rated output voltage		
Setup, rise, hold up time	200ms, 50ms, 16ms at full load					
Withstand voltage	I/P-O/P:3kVAC, I/P-FG:1.5kVAC, 1 minute					
Working temperature	0~+40°C (refer to output load derating curve)					
Safety standards	UL1950, CSA 22.2, TUV EN60950-1 approved					
EMC standards	EN55022 class B, EN61000-3-2,3, EN61000-4-2,3,4,5,6,11, ENV50204					
Standard output cable	150cm of AWM 2464			180cm of SPT-1,18AWGx2C		
Standard outpt plug	R1B: DIN 5P			P1J: 2.1øx5.5øx11mm / C+, barrel type (refer to page 70 for DC plug list)		

25W — Triple Output (IEC 320-C14 / Class I)

Stock No.	Order No.	Output	Tol.	R&N	Effi.	Max.
13641	P25A13D-R1B	5V, 0.5~2.5A	±5%	50mV	72%	25W
		12V, 0.1~0.8A	±5%	100mV		
		-12V, 0.1~0.3A	±3%	100mV		
13642	P25A14E-R1B	5V, 0.5~2.5A	±5%	50mV	74%	25W
		15V, 0.1~0.5A	±5%	100mV		
		-15V, 0.1~0.3A	±3%	100mV		

25W — Triple Output (IEC 320-C8 / Class II)

Stock No.	Order No.	Output	Tol.	R&N	Effi.	Max.
13881	P25B13D-R1B	5V, 0.5~2.5A	±5%	50mV	72%	25W
		12V, 0.1~0.8A	±5%	100mV		
		-12V, 0.1~0.3A	±3%	100mV		
13882	P25B14E-R1B	5V, 0.5~2.5A	±5%	50mV	74%	25W
		15V, 0.1~0.5A	±5%	100mV		
		-15V, 0.1~0.3A	±3%	100mV		

27W — Single Output (IEC 320-C14 / Class I)

Stock No.	Order No.	Output	Tol.	R&N	Effi.
13571	P30A-0P2J	3.3V, 0~3.63A	±7%	50mV	62%
13572	P30A-1P2J	5V, 0~4.00A	±6%	50mV	68%
13573	P30A-1-1P2J	7.5V, 0~3.06A	±4%	80mV	72%
13574	P30A-2P2J	9V, 0~2.89A	±3%	80mV	74%
13575	P30A-3P2J	12V, 0~2.25A	±3%	80mV	75%
13576	P30A-4P2J	15V, 0~1.80A	±3%	100mV	78%
13577	P30A-5P2J	18V, 0~1.50A	±2%	100mV	78%
13578	P30A-6P2J	24V, 0~1.12A	±2%	150mV	80%
13579	P30A-8P2J	48V, 0~0.56A	±2%	150mV	82%

40W — Single Output (IEC 320-C14 / Class I)

Stock No.	Order No.	Output	Tol.	R&N	Effi.
13501	P40A-0P2J	3.3V, 0~4.54A	±10%	50mV	65%
13502	P40A-1P2J	5V, 0~5.00A	±6%	50mV	70%
13503	P40A-1-1P2J	7.5V, 0~4.00A	±5%	80mV	72%
13504	P40A-2P2J	9V, 0~3.88A	±5%	80mV	74%
13505	P40A-3P2J	12V, 0~3.33A	±4%	80mV	75%
13506	P40A-4P2J	15V, 0~2.66A	±3%	100mV	78%
13507	P40A-5P2J	18V, 0~2.22A	±3%	100mV	78%
13508	P40A-6P2J	24V, 0~1.66A	±3%	150mV	80%
13509	P40A-8P2J	48V, 0~0.83A	±2%	150mV	82%

27W — Single Output (IEC 320-C8 / Class II)

Stock No.	Order No.	Output	Tol.	R&N	Effi.
13422	P30B-1P2J	5V, 0~4.00A	±6%	50mV	68%
13423	P30B-1-1P2J	7.5V, 0~3.06A	±4%	80mV	72%
13424	P30B-2P2J	9V, 0~2.89A	±3%	80mV	74%
13425	P30B-3P2J	12V, 0~2.25A	±3%	80mV	75%
13426	P30B-4P2J	15V, 0~1.80A	±3%	100mV	78%
13427	P30B-5P2J	18V, 0~1.50A	±2%	100mV	78%
13428	P30B-6P2J	24V, 0~1.12A	±2%	150mV	80%
13429	P30B-8P2J	48V, 0~0.56A	±2%	150mV	82%

40W — Single Output (IEC 320-C8 / Class II)

Stock No.	Order No.	Output	Tol.	R&N	Effi.
13522	P40B-1P2J	5V, 0~5.00A	±6%	50mV	70%
13523	P40B-1-1P2J	7.5V, 0~4.00A	±5%	80mV	72%
13524	P40B-2P2J	9V, 0~3.88A	±5%	80mV	74%
13525	P40B-3P2J	12V, 0~3.33A	±4%	80mV	75%
13526	P40B-4P2J	15V, 0~2.66A	±3%	100mV	78%
13527	P40B-5P2J	18V, 0~2.22A	±3%	100mV	78%
13528	P40B-6P2J	24V, 0~1.66A	±3%	150mV	80%
13529	P40B-8P2J	48V, 0~0.83A	±2%	150mV	82%



Features

- Universal AC input / Full range
- Full output 3~48V safety approved
- Protections: Short circuit / Over voltage / Overload / Over temp.
- Fully enclosed plastic case
- Fixed switching frequency and regulation
- Topology: Top switch circuit
- Low leakage current $\leq 0.3\text{mA}$
- LED indicator for power on
- Medical safety approved
- 2 years warranty

General Specification (Please refer to www.meanwell.com for detail spec.)



Order No.	MES30A	MES30C	MES50A	MES30B
AC input voltage range	90~264VAC / 0.8~0.4A			
AC inrush current (max.)	Cold start, <35A peak at 230VAC			
Overload protection	Hiccup mode, auto-recovery			
Over voltage protection	110~140% rated output voltage		110~150% rated output voltage	110~140% rated output voltage
Setup, rise, hold up time	300ms, 50ms, 16ms at full load			
Withstand voltage	I/P-O/P:5656VDC, I/P-FG:2828VDC, 1 minute			I/P-O/P:5656VDC, 1 minute
Working temperature	0~+65°C (refer to output load derating curve)			
Safety standards	UL2601-1, TUV EN60601-1, IEC601-1 approved			
EMC standards	EN55011 class B, EN61000-3-2,3, EN61000-4-2,3,4,5,6,8,11 (EN60601-1-2)			
Standard output cable	180cm of UL1185,18AWG for 9~48V output ; 120cm of SPT-2,16AWG for 3~7.5V output			
Standard output plug	P1J: 2.1 \times 5.5 \times 11mm / C+, tuning fork type (refer to page 70 for DC plug list)			

Desktop (IEC 320-C14 / Class I)— 30W

Stock No.	Order No.	Output	Tol.	R&N	Effi.
13891	MES30A-0P1J	3.3V, 0~5.00A	$\pm 8\%$	30mV	56%
13892	MES30A-1P1J	5V, 0~5.00A	$\pm 5\%$	30mV	70%
13893	MES30A-1-1P1J	7.5V, 0~3.33A	$\pm 4\%$	40mV	72%
13894	MES30A-2P1J	9V, 0~3.33A	$\pm 4\%$	50mV	74%
13895	MES30A-3P1J	12V, 0~2.50A	$\pm 3\%$	50mV	76%
13896	MES30A-4P1J	15V, 0~2.00A	$\pm 2\%$	60mV	78%
13897	MES30A-5P1J	18V, 0~1.66A	$\pm 2\%$	70mV	78%
13898	MES30A-6P1J	24V, 0~1.25A	$\pm 2\%$	80mV	80%
13899	MES30A-7P1J	28V, 0~1.07A	$\pm 2\%$	100mV	80%
13900	MES30A-8P1J	48V, 0~0.62A	$\pm 2\%$	100mV	82%

Desktop (IEC 320-C14 / Class I)— 50W

Stock No.	Order No.	Output	Tol.	R&N	Effi.
13921	MES50A-0R1B	3.3V, 0~7.50A	$\pm 10\%$	50mV	60%
13922	MES50A-1R1B	5V, 0~7.50A	$\pm 6\%$	50mV	67%
13923	MES50A-1-1R1B	7.5V, 0~5.33A	$\pm 5\%$	75mV	70%
13924	MES50A-2P1J	9V, 0~5.00A	$\pm 5\%$	90mV	72%
13925	MES50A-3P1J	12V, 0~4.16A	$\pm 3\%$	100mV	74%
13926	MES50A-4P1J	15V, 0~3.33A	$\pm 3\%$	100mV	75%
13927	MES50A-5P1J	18V, 0~2.77A	$\pm 3\%$	150mV	78%
13928	MES50A-6P1J	24V, 0~2.08A	$\pm 2\%$	150mV	78%
13929	MES50A-7P1J	28V, 0~1.78A	$\pm 2\%$	150mV	80%
13930	MES50A-8P1J	48V, 0~1.04A	$\pm 2\%$	200mV	80%

Desktop (IEC 320-C8 / Class II)— 30W

Stock No.	Order No.	Output	Tol.	R&N	Effi.
13901	MES30B-0P1J	3.3V, 0~5.00A	$\pm 8\%$	30mV	56%
13902	MES30B-1P1J	5V, 0~5.00A	$\pm 5\%$	30mV	70%
13903	MES30B-1-1P1J	7.5V, 0~3.33A	$\pm 4\%$	40mV	72%
13904	MES30B-2P1J	9V, 0~3.33A	$\pm 4\%$	50mV	74%
13905	MES30B-3P1J	12V, 0~2.50A	$\pm 3\%$	50mV	76%
13906	MES30B-4P1J	15V, 0~2.00A	$\pm 2\%$	60mV	78%
13908	MES30B-6P1J	24V, 0~1.25A	$\pm 2\%$	80mV	80%
13910	MES30B-8P1J	48V, 0~0.62A	$\pm 2\%$	100mV	82%

Desktop (IEC 320-C6 / Class I)— 30W

Stock No.	Order No.	Output	Tol.	R&N	Effi.
13911	MES30C-0P1J	3.3V, 0~5.00A	$\pm 8\%$	30mV	56%
13912	MES30C-1P1J	5V, 0~5.00A	$\pm 5\%$	30mV	70%
13913	MES30C-1-1P1J	7.5V, 0~3.33A	$\pm 4\%$	40mV	72%
13914	MES30C-2P1J	9V, 0~3.33A	$\pm 4\%$	50mV	74%
13915	MES30C-3P1J	12V, 0~2.50A	$\pm 3\%$	50mV	76%
13916	MES30C-4P1J	15V, 0~2.00A	$\pm 2\%$	60mV	78%
13918	MES30C-6P1J	24V, 0~1.25A	$\pm 2\%$	80mV	80%
13920	MES30C-8P1J	48V, 0~0.62A	$\pm 2\%$	100mV	82%

50W AC-DC Triple Output

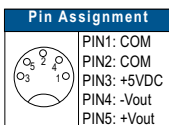
UL US CB CE



- 3 pole AC inlet IEC320-C14
- Class I power (with earth pin)
- Protections: Short circuit / Overload / Over voltage
- Fully enclosed plastic case
- LED indicator for power on
- 1 year warranty

147x 76x 43 mm

AC input voltage range 90~264VAC / 1.6A
 AC inrush current(max.) Cold start, <40A at 230VAC
 Overload protection Hiccup mode, auto-recovery
 Over voltage protection 110~140% for +5V output
 Hold up time 12ms at full load
 Withstand voltage I/P-O/P:3kVAC, I/P-FG:1.5kVAC, 1 minute
 Working temperature 0~+40°C (refer to output load derating curve)
 Safety standards UL1950, TUV EN60950-1 approved
 EMC standards EN55022 class B, EN61000-3-2,3,
 EN61000-4-2,3,4,5,6,11,
 ENV50204
 Length of output cable 120cm of AWM 2464
 Standard DC plug R1B: DIN 5P



Stock No.	Order No.	Output	Tol.	R&N	Effi.	Max.
13701	P50A13D-R1B	5V, 0.5~4.0A	±6%	50mV	72%	50W
		12V, 0.5~2.0A	±10%	100mV		
		-12V, 0.1~0.5A	±12%	100mV		
13702	P50A14E-R1B	5V, 0.5~4.0A	±6%	50mV	74%	50W
		15V, 0.5~1.5A	±10%	100mV		
		-15V, 0.1~0.5A	±12%	100mV		

66W AC-DC Single Output

UL US CB CE



- 3 pole AC inlet IEC320-C14
- Class I power (with earth pin)
- Full output 5~48V safety approved
- Protections: Short circuit / Overload / Over voltage
- Fully enclosed plastic case
- Pass LPS for 16~48V
- LED indicator for power on
- 2 years warranty

147x 76x 43 mm

AC input voltage range 90~264VAC / 1.5A
 AC inrush current(max.) Cold start, <40A at 230VAC
 Overload protection Hiccup mode, auto-recovery
 Over voltage protection 110~140% rated output voltage
 Hold up time 16ms at full load
 Withstand voltage I/P-O/P: 3kVAC, I/P-FG: 1.5kVAC, 1 minute
 Working temperature 0~30°C @ 100% load, 50°C @ 60% load
 Safety standards UL1950, TUV EN60950-1 approved
 EMC standards EN55022 class B, EN61000-3-2,3,
 EN61000-4-2,3,4,5,6,11, ENV50204
 Length of output cable 120cm of UL2464x 5C for 5~7.5V;
 180cm of SPT-1,18AWGx 2C for 9~48V
 Standard DC plug R1B: DIN 5P for 5~7.5V output
 P2J: 2.1øx5.5øx11mm/C+, barrel type

Stock No.	Order No.	Output	Tol.	R&N	Effi.
13592	P66A-1R1B	5V, 0~8.50A	±6%	50mV	70%
13593	P66A-1-1R1B	7.5V, 0~6.40A	±5%	80mV	75%
13594	P66A-2P2J	9V, 0~5.55A	±5%	80mV	75%
13595	P66A-3P2J	12V, 0~5.50A	±5%	80mV	78%
13596	P66A-4P2J	15V, 0~4.40A	±3%	100mV	80%
13597	P66A-5P2J	18V, 0~3.66A	±3%	100mV	82%
13598	P66A-6P2J	24V, 0~2.75A	±2%	150mV	82%
13599	P66A-8P2J	48V, 0~1.37A	±2%	150mV	83%

80W AC-DC Single Output

UL US CB CE



- 3 pole AC inlet IEC320-C14
- Class I power (with earth pin)
- Fully enclosed plastic case
- Full output 12~48V safety approved
- Protections: Short circuit / Overload / Over voltage
- With power ON/OFF switch (option)
- LED indicator for power on
- 2 years warranty

168x 79x 45 mm

AC input voltage range 95~264VAC / 1.9A
 AC inrush current(max.) Cold start, <40A at 230VAC
 Overload protection Hiccup mode, auto-recovery
 Over voltage protection 110~140% rated output voltage
 Hold up time 16ms at full load
 Withstand voltage I/P-O/P:3kVAC, I/P-FG:1.5kVAC, 1 minute
 Working temperature 0~+40°C (refer to output load derating curve)
 Safety standards UL1950, TUV EN60950-1 approved
 EMC standards EN55022 class B, EN61000-3-2,3,
 EN61000-4-2,3,4,5,6,8,11,
 Length of output cable 180cm of SPT-1,18AWG x2C
 Standard DC plug P2J: 2.1øx5.5øx11mm / C+, barrel type

Stock No.	Order No.	Output	Tol.	R&N	Effi.
13674	U65S105-P2J	12V, 0~6.66A	±4%	100mV	75%
13675	U65S106-P2J	15V, 0~5.33A	±3%	100mV	76%
13676	U65S107-P2J	18V, 0~4.44A	±3%	120mV	77%
13677	U65S108-P2J	24V, 0~3.33A	±2%	150mV	78%
13679	U65S111-P2J	48V, 0~1.66A	±2%	240mV	81%

90W AC-DC Single Output

UL US CB CE



- Universal AC input / Full range
- No load power consumption <0.75W
- 3 pole AC inlet IEC320-C6
- Class I power (with earth pin)
- PF > 0.9 @230VAC
- Protections: Short circuit / Overload / Over voltage
- Fully enclosed plastic case
- LED indicator for power on
- 1 year warranty

133x 58x 30 mm

AC input voltage range 90~264VAC
 AC inrush current(max.) Cold start, <100A at 230VAC
 Overload protection 110~150% load, hiccup mode, auto-recovery
 Over voltage protection 110~150% rated output voltage (typical)
 Hold up time 10ms at full load
 Withstand voltage I/P-O/P:1.5kVAC, 1 minute
 Working temperature 0~+50°C (refer to output load derating curve)
 Safety standards UL60950-1, TUV EN60950-1 approved
 EMC standards EN55022 class B, EN61000-3-2,3,
 EN61000-4-2,3,4,5,6,8,11
 Length of output cable 120cm of UL1185, 16AWG
 Standard DC plug P1M: 2.5x 5.5x 11mm / C+, tuning fork type
 AC power cord YP□+YC14(option); □= 12, 22, 23, 60
 Packing 406g; 32pcs / 14.5Kg / CARTON

Stock No.	Order No.	Output	Tol.	R&N	Effi.
13241	FM90C12-P1M	12V, 0~6.60A	±5%	150mV	80%
13242	FM90C19-P1M	19V, 0~4.75A	±3%	150mV	80%
13243	FM90C24-P1M	24V, 0~3.75A	±3%	150mV	82%



Features

- Universal AC input / Full range
- No load power consumption <0.3W for GS40/60; <0.5W for GS90
- Pass energy star level IV (CEC) for full series
- Pass energy star level V (CEC) (except for GS60 7.5~9V)
- Meet EISA 2007 (Energy Independence and Security Act) for full series
- Built-in active PFC function, PF >0.91(only for GS90)
- 3 pole AC inlet IEC320-C14
- Class I power (with earth pin)
- Protections: Short circuit / Over voltage / Overload / Over temperature
- Fully enclosed plastic case
- LED indicator for power on
- Pass LPS
- 2 years warranty

General Specification (Please refer to www.meanwell.com for detail spec.)



Order No.	GS40	GS60	GS90
AC input voltage range	90~264VAC / 1.0A	90~264VAC / 1.4A	90~264VAC / 2.0A
AC inrush current (max.)	Cold start, <65A peak at 230VAC		Cold start, <90A peak at 230VAC
Overload protection	105~150% rated output power, Hiccup mode, auto-recovery		110~150% rated output power, Hiccup mode, auto-recovery
Over voltage protection	105~135% rated output voltage		
Setup, rise, hold up time	600ms, 30ms, 50ms at 230VAC input	600ms, 30ms, 50ms at 230VAC input	1000ms, 20ms, 20ms at 230VAC input
Withstand voltage	I/P-O/P:3kVAC, 1 minute		
Working temperature	0~+60°C	-10~+50°C	0~+50°C
Safety standards	UL60950-1, CSA22.2, EN60950-1, BSMI CNS14336, CCC GB4943		
EMC standards	EN55022 class B, EN61000-3-2,3, EN61000-4-2,3,4,5,6,8,11, CNS13438, GB9254, FCC part15 class B		
Length of output cable	100cm of UL1185, 16AWG for 5~15V; 180cm of UL1185, 18AWG for 18~48V		100cm of UL1185, 14AWG for 12~15V; 120cm of UL1185, 16AWG for 19~48V
Standard DC plug	P1J: 2.1øx5.5øx11mm / C+, tuning fork type (refer to page 70 for DC plug list)		P1M: 2.5øx5.5øx11mm / C+, tuning fork type (refer to page 70 for DC plug list)

Desktop (IEC 320-C14 / Class I)— 40W

Stock No.	Order No.	Output	Tol.	R&N	Effi.
14401	GS40A05-P1J	5V, 0~5.00A	±5%	100mV	80.5%
14402	GS40A07-P1J	7.5V, 0~5.34A	±5%	100mV	85.5%
14403	GS40A09-P1J	9V, 0~4.45A	±5%	100mV	85.0%
14404	GS40A12-P1J	12V, 0~3.34A	±3%	100mV	89.0%
14405	GS40A15-P1J	15V, 0~2.67A	±3%	100mV	89.5%
14406	GS40A18-P1J	18V, 0~2.22A	±3%	150mV	90.0%
14407	GS40A24-P1J	24V, 0~1.67A	±2.5%	180mV	91.0%
14408	GS40A48-P1J	48V, 0~0.84A	±2.5%	240mV	92.0%

Desktop (IEC 320-C14 / Class I)— 60W

Stock No.	Order No.	Output	Tol.	R&N	Effi.
14411	GS60A05-P1J	5V, 0~6.00A	±5%	100mV	79.5%
14412	GS60A07-P1J	7.5V, 0~6.00A	±5%	100mV	84.0%
14413	GS60A09-P1J	9V, 0~6.00A	±5%	100mV	85.0%
14414	GS60A12-P1J	12V, 0~5.00A	±3%	100mV	88.0%
14415	GS60A15-P1J	15V, 0~4.00A	±3%	100mV	88.5%
14416	GS60A18-P1J	18V, 0~3.33A	±3%	150mV	88.5%
14417	GS60A24-P1J	24V, 0~2.50A	±3%	180mV	90.0%
14418	GS60A48-P1J	48V, 0~1.25A	±2.5%	240mV	92.0%

Desktop (IEC 320-C14 / Class I)— 90W

Stock No.	Order No.	Output	Tol.	R&N	Effi.
14421	GS90A12-P1M	12V, 0~6.67A	±5%	80mV	88.0%
14422	GS90A15-P1M	15V, 0~6.00A	±5%	100mV	89.0%
14423	GS90A19-P1M	19V, 0~4.74A	±4%	150mV	89.0%
14424	GS90A24-P1M	24V, 0~3.75A	±3%	180mV	89.5%
14425	GS90A48-P1M	48V, 0~1.875A	±2%	240mV	91.0%



48hrs delivery—

We keep enough stock for 95% of standard models at our 2400m² warehouse. We can arrange prompt delivery within 48hrs.



Best products also need best service.

We have authorized distributors all over the world. They have sufficient stock for your prompt delivery. Also they can offer you technical support & RMA services. Please contact your local distributors for more product information. You can also contact us at info@meanwell.com for information of your local distributors.

Adaptor

120W AC-DC Single Output with PFC



- Universal AC input / Full range
- No load power consumption < 0.5W
- Pass energy star level IV (CEC) for full series
- Pass energy star level V (CEC) for 24~48V
- Meet EISA 2007(Energy Independence and Security Act)
- Built-in active PFC function, PF>0.95
- 3 pole AC inlet IEC320-C14
- Class I power (with earth pin)
- High power density 5W/in³
- Protections: Short circuit / Overload Over voltage / Over temp.
- Fully enclosed plastic case
- 2 years warranty

AC input voltage range 90~264VAC or 127~370VDC
 Overload protection 105~135% rated output power, hiccup mode, auto-recovery
 Over voltage protection 110~140% rated output voltage (typical)
 Hold up time 16ms at full load
 Withstand voltage I/P-O/P:4.25kVDC, 1 minute
 Working temperature 0~+50°C (refer to output load derating curve)
 Safety standards UL60950-1, TUV EN60950-1, CCC GB4943 approved
 EMC standards EN55022 class B, EN61000-3-2,3, EN61000-4-2,3,4,5,6,8,11, FCC part 15J class B
 Length of output cable 120cm of UL1185, 16AWG
 Standard DC plug 12~15V output: Power DIN 4P with lock type
 20~48V output: 2.5x 5.5x11mm/C+ for tuning fork type

Stock No.	Order No.	Output	Tol.	R&N	Effi.
13251	AS-120P-12R7B	12V, 0~8.4A	±4%	100mV	85.5%
13252	AS-120P-15R7B	15V, 0~6.7A	±4%	100mV	87.5%
13253	AS-120P-20P1M	20V, 0~6.0A	±3%	200mV	89.0%
13254	AS-120P-24P1M	24V, 0~5.0A	±2%	200mV	90.0%
13255	AS-120P-48P1M	48V, 0~2.5A	±2%	240mV	89.0%

220W AC-DC Single Output with PFC



- Universal AC input / Full range
- No load power consumption < 0.5W
- Meet energy star level V (CEC)
- Meet EISA 2007(Energy Independence and Security Act)
- Built-in active PFC function, PF>0.95
- 3 pole AC inlet IEC320-C14
- Class I power (with earth pin)
- Protections: Short circuit / Overload Over voltage / Over temp.
- Fully enclosed plastic case
- LED indicator for power on
- 2 years warranty

AC input voltage range 90~264VAC or 127~370VDC
 Overload protection 105~135% rated output power, hiccup mode, auto-recovery
 Over voltage protection 105~135% rated output voltage (typical)
 Hold up time 20ms at full load
 Withstand voltage I/P-O/P:3kVAC, 1 minute
 Working temperature 0~+60°C (refer to output load derating curve)
 Safety standards UL60950-1, TUV EN60950-1, BSMI CNS14336, CCC GB4943 approved
 EMC standards EN55022 class B, EN61000-3-2,3, EN61000-4-2,3,4,5,6,8,11, FCC part 15 class B
 Length of output cable 100cm of UL2464, 16AWGx 4C
 Standard DC plug Power DIN 4P with lock type

Stock No.	Order No.	Output	Tol.	R&N	Effi.
13981	GS220A12-R7B	12V, 0~15.0A	±5%	80mV	89.0%
13982	GS220A15-R7B	15V, 0~13.4A	±5%	100mV	90.0%
13983	GS220A20-R7B	20V, 0~11.0A	±4%	150mV	92.0%
13984	GS220A24-R7B	24V, 0~9.20A	±3%	180mV	93.5%
13985	GS220A48-R7B	48V, 0~4.60A	±2%	240mV	94.0%

Specific Purpose



104W AC-DC Triple Output for Video Game



- AC input range selectable by switch
- Protections: Short circuit / Overload
- 2 color LED display for 602A, 606A
- Cooling by free air convection
- 100% full load burn-in test
- Low cost, high reliability
- 2 years warranty

AC input voltage range 88~132VAC/ 176~264VAC selectable by switch
 DC adjustment range CH1: -5~+10% rated output voltage
 Overload protection 105%~135% shut off, AC recycle to re-start
 Setup, rise, hold up time 200ms, 50ms, 16ms at full load and 230VAC
 Withstand voltage I/P-O/P: 1.5kVAC, I/P-FG:1.5kVAC, 1minute
 Working temperature 0~40°C@100%, -10°C@80%, 60°C@60% load
 Safety standards UL60950-1, TUV EN60950-1 for MWP-606
 TUV EN60950-1 for MWP-608
 EMC standards EN55022 class B, EN61000-4-2,3,4
 EN60555-2,3 for MWP-606/608 series
 Packing 0.9kg ; 16pcs / 15.4kg / 0.95CUFT

✦ MWP-602 Series

Stock No.	Model No.	Output	Tol.	R&N	Effi.	Max.
21001	MWP-602	5V, 3.0~15A	±2%	50mV	75%	104W
		12V, 0.2~3.0A	±8%	120mV		
		-5V, 0.1~1.0A	±10%	60mV		
21002	MWP-602A	5V, 3.0~15A	±2%	50mV	75%	104W
		12V, 0.2~3.0A	±8%	120mV		
		-5V, 0.1~1.0A	±10%	60mV		

✦ MWP-606 Series

Stock No.	Model No.	Output	Tol.	R&N	Effi.	Max.
21003	MWP-606	5V, 3.0~15A	±2%	50mV	75%	104W
		12V, 0.2~4.0A	±8%	120mV		
		-5V, 0.1~1.0A	±10%	60mV		
21004	MWP-606A	5V, 3.0~15A	±2%	50mV	75%	104W
		12V, 0.2~4.0A	±8%	120mV		
		-5V, 0.1~1.0A	±10%	60mV		

✦ MWP-608 Series

Stock No.	Model No.	Output	Tol.	R&N	Effi.	Max.
21011	MWP-608	5V, 3.0~15A	±2%	50mV	80%	104W
		12V, 0.2~4.0A	±8%	120mV		
		24V, 0.2~4.0A	-5%, +10%	150mV		

Optional DC Plug List

Tuning Fork Style	Type	A	B	C
		OD	ID	L
	P1I	5.5	2.1	9.5
	P1J	5.5	2.1	11.0
	P1L	5.5	2.5	9.5
	P1M	5.5	2.5	11.0
Barrel Style	Type	A	B	C
		OD	ID	L
	P2I	5.5	2.1	9.5
	P2J	5.5	2.1	11.0
	P2L	5.5	2.5	9.5
	P2M	5.5	2.5	11.0
DIN 5 Pin	Type	Pin Assignment		
		Single	Triple	
	R1B	1	COM	COM
		2	COM	COM
		3	Vout	+5V
		4	COM	-Vout
		5	Vout	+Vout
DIN 4 Pin with lock	Type	Pin Assignment		
		PIN No.	Output	
	R7B	1	+Vout	
		2	GND	
		3	GND	
		4	+Vout	

► MOQ is varied for different models.

100W AC-DC ATX Power



210x 85x 46 mm

- Universal AC input / Full range
- No load power consumption < 1W @240VAC
- 3 pole AC inlet IEC320-C14
- Built-in active PFC function, PF>0.95
- Class I power (with earth pin)
- Protections: Short circuit / Overload / Over voltage / Over temp.
- Power on LED indicator
- Fully enclosed plastic case
- 2 years warranty

Setup, rise, hold up time 3000ms, 80ms, 40ms at full load and 230VAC
 Overload protection 140~200% load, shut off
 Over voltage protection 110~130% rated output voltage (CH1,2,3)
 Withstand voltage I/P-O/P:3kVAC
 Working temperature 0~+40°C@100%, 50°C@80% load
 Safety standards IEC60950-1 CB approved by TUV
 EMC standards EN55022 class B, EN61000-3-2,3, EN61204-3, EN61000-4-2,3,4,5,6,8,11, ENV50204
 Length of output cable 65cm of UL rated, 18AWGx20C
 Standard DC plug Molex 39-01-2200 or equivalent

Stock No.	Order No.	Output	Tol.	R&N	Effi.	Max.
13261	ATX-100	3.3V, 0~6.0A	±5%	100mV	80%	100W (cont.)
		5V, 0~8.0A	±5%	100mV		
		12V, 1~7.0A	±5%	120mV		125W (7 min.)
		-12V, 0~0.5A	±10%	120mV		150W (3 min.)
		5VSB, 0~2.0A	±5%	100mV		

200~300W Industrial ATX PC Power Supply



• 240x 83x 40 mm (200 / 250W)
 • 260x 83x 40 mm (300W)

- Universal AC input / Full range
- Low profile for 1U/2U rack system
- Built-in active PFC function, PF>0.94
- Protections: Short circuit / Overload / Over voltage
- With power good and fail signal output
- Forced air cooling by built-in DC fan
- Remote sense on CH1, CH2
- PS-ON signal input
- 24V/3A output with 7A peak capability (IPC-300B)
- 2 years warranty

Hold up time 16ms min. at full load and 115VAC
 Overload protection 105%~150% shut off, AC recycle to re-start
 Over voltage protection 110%~140% rated output voltage for CH1~CH3
 Withstand voltage I/P-O/P, I/P-FG:1.5kVAC, 1minute
 Working temperature -10~60°C (refer to output derating curve)
 Safety standards UL60950-1, TUV EN60950-1 approved
 EMC standards EN55022 class B, EN61000-3-2,-3, EN61000-4-2,3,4,5,6,8,11

Stock No.	Model No.	Output	Tol.	R&N	Effi.	Max.
22041	IPC-200	3.3V, 0~15A	±5%	50mV	75%	200W
		5V, 1~25A	±5%	50mV		
		12V, 1~13A	±7%	120mV		
		-5V, 0~0.5A	±8%	100mV		
		-12V, 0.1~1.0A	±10%	120mV		
22042	IPC-250	5VSB, 0~2.0A	±5%	50mV		
		3.3V, 0~20A	±5%	50mV	75%	250W
		5V, 1~25A	±5%	50mV		
		12V, 1~15A	±7%	120mV		
		-5V, 0~0.5A	±8%	100mV		
22043	IPC-300A	-12V, 0.1~1.0A	±10%	120mV		
		5VSB, 0~2.0A	±5%	50mV		
		3.3V, 0~20A	±5%	50mV	75%	300W
		5V, 1~30A	±5%	50mV		
		12V, 1~18A	±7%	120mV		
22044	IPC-300B	-5V, 0~0.5A	±8%	100mV		
		-12V, 0.1~1.0A	±10%	120mV		
		5VSB, 0~2.0A	±5%	50mV		
		24V, 0~3.0A	±5%	240mV	80%	300W
		5V, 1~30A	±5%	50mV		
		12V, 1~18A	±7%	120mV		
		-5V, 0~0.5A	±8%	100mV		
		-12V, 0.1~1.0A	±10%	120mV		
		5VSB, 0~2.0A	±5%	50mV		

250~350W ATX PC Power Supply

- Universal AC input for YP-350J
- AC input 230VAC only for YP-350A/400A/450A-EU
- AC input range selectable by switch for YP-350A / 400A / 450A-AA
- Built-in passive PFC for YP-350A/400A/450A-EU
- Built-in active PFC function, PF>0.95 for YP-350J
- Built-in passive PFC function, PF>0.65 for YP-350A/400A/450A-EU
- Protections: Short circuit / Overload
- Power good / fail signal
- Forced air cooling by built-in DC fan
- 100% full load burn-in test
- Low cost, high reliability
- Approvals: YP-350A / 400A / 450A-AA: CSA / CB / FCC YP-350A / 400A / 450A-EU: TUV / CB / CE
- 2 years warranty for YP-350J
- 1 year warranty for YP-350A/400A/450A



171x 150x 86 mm



150x 140x 86 mm

Hold up time 8ms min. at full load (YP-350A / 400A / 450A), 10ms min. at full load (YP-350J)

Overload protection 105%~180% shut off, AC recycle to re-start
 Withstand voltage I/P-O/P, I/P-FG:1.5kVAC, 1minute
 Working temperature 0~40°C at full load and 230VAC (typical)
 Safety standards UL1950, CSA22.2, EN60950-1 approved
 ✦ 103~132VAC / 206~264VAC selectable or 206~264VAC only

Stock No.	Model No.	Output	Tol.	R&N	Effi.	Max.		
22071	YP-350A-□	3.3V, 2.0~17A	±5%	50mV	70%	250W		
		5V, 2.0~18A	±5%	50mV				
		12V ₁ , 1.0~8.0A	±5%	120mV				
		12V ₂ , 1.0~14A	±5%	120mV				
		-5V, 0.1~0.3A	±10%	50mV				
		-12V, 0.1~0.8A	±10%	120mV				
		5VSB, 0~2.0A	±5%	50mV				
		22072	YP-400A-□	3.3V, 2.0~20A	±5%	50mV	70%	300W
				5V, 2.0~20A	±5%	50mV		
				12V ₁ , 1.0~8.0A	±5%	120mV		
12V ₂ , 1.0~14A	±5%			120mV				
-5V, 0.1~0.3A	±10%			50mV				
22073	YP-450A-□	-12V, 0.1~0.8A	±10%	120mV				
		5VSB, 0~2.0A	±5%	50mV				
		3.3V, 2.0~22A	±5%	50mV	70%	350W		
		5V, 2.0~21A	±5%	50mV				
		12V ₁ , 1.0~10A	±5%	120mV				
		12V ₂ , 1.0~15A	±5%	120mV				
		-5V, 0.1~0.3A	±10%	50mV				
		-12V, 0.1~0.8A	±10%	120mV				
		5VSB, 0~2.0A	±5%	50mV				

□ = AA (115/230VAC selectable and without PFC function), **NEW** EU (230VAC only and with passive PFC function)

✦ 24V Output and Active PFC>0.95 (100~264VAC Input)

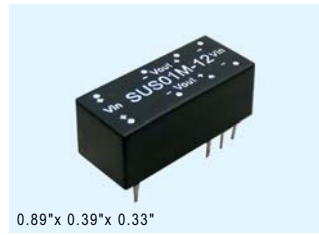
Stock No.	Model No.	Output	Tol.	R&N	Effi.	Max.
22051	YP-350J-AA	3.3V, 0.3~14A	±5%	50mV	70%	350W
		5V, 0.1~21A	±5%	50mV		
		12V, 0~15A	+8%, -2%	120mV		
		24V, 0~5.0A	+8%, -2%	150mV		
		-5V, 0~0.3A	±5%	100mV		
		-12V, 0~0.8A	±10%	120mV		
		5VSB, 0~2.0A	±5%	50mV		

0.5W DC-DC Regulated Single Output

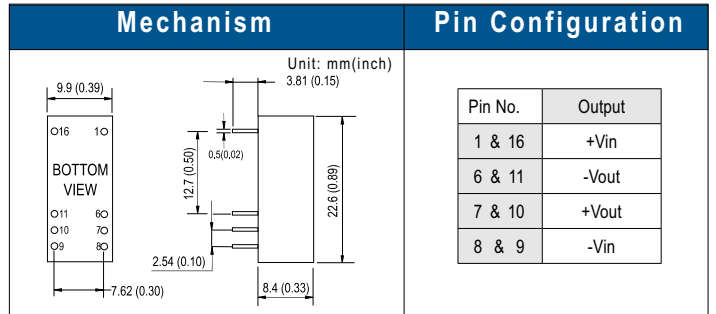
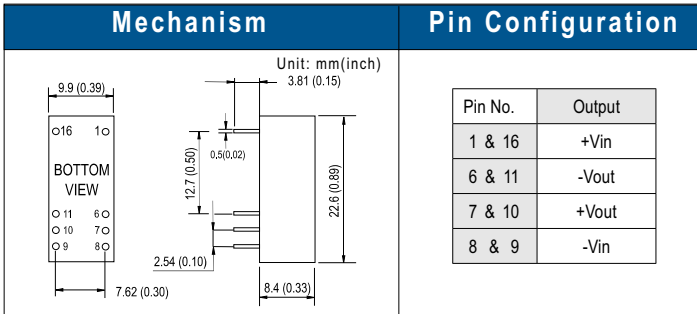


- 1000VDC I/O isolation
- Internal SMD technology
- Built-in EMI filter
- Protection: Short circuit
- Cooling by free air convection
- Non-conductive plastic case
- Dual in line package
- 100% full load burn-in test
- Low cost, high reliability
- 2 years warranty

1W DC-DC Unregulated Single Output



- 1000VDC I/O isolation
- Internal SMD technology
- Built-in EMI filter
- Protection: Short circuit
- Cooling by free air convection
- Non-conductive plastic case
- Dual in line package
- SIP package is available
- 100% full load burn-in test
- Low cost, high reliability
- 2 years warranty



Voltage set point accuracy... $\pm 2\%$ (typical)
 Line regulation $\pm 1\%$ (max.)
 Load regulation $\pm 1\%$ (max.)@10~100% load
 Input reflected ripple 120mVp-p
 Efficiency 60% (typical)
 Short circuit protection continuous, auto-recovery
 Switching frequency 50kHz (min.)
 I/O isolation voltage 1000VDC (min.)
 I/O isolation resistance 100M Ω (min.)@ 500VDC
 Isolation capacitance 80pF (max.)
 Working temperature -25°C to +60°C (no derating), +71°C@80% load
 Storage temperature -25°C to +105°C
 Temp. Coefficient $\pm 0.03\%$ / °C (max.)
 Case material non-conductive plastic

Voltage set point accuracy ... $\pm 2\%$ (max.)
 Line regulation $\pm 1.2\%$ (max.) for 1% input variation
 Load regulation $\pm 8\%$ (max.)@20~100% load
 Input reflected ripple 120mVp-p
 Efficiency 83% (typical)
 Short circuit protection Momentary
 Switching frequency 50kHz (min.)
 I/O isolation voltage 1000VDC (min.)
 I/O isolation resistance 100M Ω (min.)@ 500VDC
 Isolation capacitance 80pF (max.)
 Working temperature -25°C to +60°C (no derating), +71°C@80% load
 Storage temperature -25°C to +105°C
 Temp. Coefficient $\pm 0.03\%$ / °C (max.)
 Case material non-conductive plastic

Stock No.	Model No.	Input (VDC)	Output (VDC)	Current (mA)	R&N (mVp-p)
30401	SRS-0505	5 $\pm 10\%$	5	100	100
30402	SRS-0509	5 $\pm 10\%$	9	56	100
30403	SRS-0512	5 $\pm 10\%$	12	42	100
30404	SRS-0515	5 $\pm 10\%$	15	34	100
30405	SRS-1205	12 $\pm 10\%$	5	100	100
30406	SRS-1209	12 $\pm 10\%$	9	56	100
30407	SRS-1212	12 $\pm 10\%$	12	42	100
30408	SRS-1215	12 $\pm 10\%$	15	34	100
30409	SRS-2405	24 $\pm 10\%$	5	100	100
30410	SRS-2409	24 $\pm 10\%$	9	56	100
30411	SRS-2412	24 $\pm 10\%$	12	42	100
30412	SRS-2415	24 $\pm 10\%$	15	34	100
30413	SRS-4805	48 $\pm 10\%$	5	100	100
30414	SRS-4809	48 $\pm 10\%$	9	56	100
30415	SRS-4812	48 $\pm 10\%$	12	42	100
30416	SRS-4815	48 $\pm 10\%$	15	34	100

Stock No.	Model No.	Input (VDC)	Output (VDC)	Current (mA)	R&N (mVp-p)
30421	SUS01L-05	5 $\pm 10\%$	5	200	100
30422	SUS01L-09	5 $\pm 10\%$	9	111	100
30423	SUS01L-12	5 $\pm 10\%$	12	84	100
30424	SUS01L-15	5 $\pm 10\%$	15	67	100
30425	SUS01M-05	12 $\pm 10\%$	5	200	100
30426	SUS01M-09	12 $\pm 10\%$	9	111	100
30427	SUS01M-12	12 $\pm 10\%$	12	84	100
30428	SUS01M-15	12 $\pm 10\%$	15	67	100
30429	SUS01N-05	24 $\pm 10\%$	5	200	100
30430	SUS01N-09	24 $\pm 10\%$	9	111	100
30431	SUS01N-12	24 $\pm 10\%$	12	84	100
30432	SUS01N-15	24 $\pm 10\%$	15	67	100
30433	SUS01O-05	48 $\pm 10\%$	5	200	100
30434	SUS01O-09	48 $\pm 10\%$	9	111	100
30435	SUS01O-12	48 $\pm 10\%$	12	84	100
30436	SUS01O-15	48 $\pm 10\%$	15	67	100

1W DC-DC Unregulated Single Output



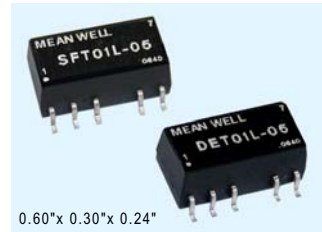
0.50"x 0.30"x 0.24"

- 1000VDC I/O isolation
- Internal SMD technology
- Protection: Short circuit
- Cooling by free air convection
- Non-conductive plastic case
- SMD package style
- 100% full load burn-in test
- Low cost, high reliability
- 1 year warranty

Mechanism	Pin Configuration																		
<p>Unit: mm(inch)</p> <p>TOP VIEW</p> <p>Dimensions: 12.7, 7.62, 11.2 MAX, 7.50, 6.25, 6.00, 2.54, 0.25, 4.13, 2.54, 0.5</p>	<table border="1"> <thead> <tr> <th>Pin No.</th> <th>Output</th> </tr> </thead> <tbody> <tr><td>1</td><td>-Vin</td></tr> <tr><td>2</td><td>+Vin</td></tr> <tr><td>3</td><td>NC</td></tr> <tr><td>4</td><td>-Vout</td></tr> <tr><td>5</td><td>+Vout</td></tr> <tr><td>6</td><td>NC</td></tr> <tr><td>7</td><td>NC</td></tr> <tr><td>8</td><td>NC</td></tr> </tbody> </table>	Pin No.	Output	1	-Vin	2	+Vin	3	NC	4	-Vout	5	+Vout	6	NC	7	NC	8	NC
Pin No.	Output																		
1	-Vin																		
2	+Vin																		
3	NC																		
4	-Vout																		
5	+Vout																		
6	NC																		
7	NC																		
8	NC																		

- Voltage set point accuracy $\pm 8\%$ (max.)
- Line regulation $\pm 1.2\%$ (max.) for 1% input variation
- Load regulation $\pm 8\%$ (max.)@20~100% load
- Input reflected ripple 100mVp-p
- Efficiency 75% (typical)
- Short circuit protection Momentary
- Switching frequency 100kHz (typical)
- I/O isolation voltage 1000VDC (min.)
- I/O isolation resistance 100M Ω (min.)@ 500VDC
- Working temperature -40°C to +85°C
- Storage temperature -40°C to +105°C
- Temp. Coefficient $\pm 0.03\%$ / °C (max.)
- Case material non-conductive plastic
- Safety standards UL60950-1 approved

1W DC-DC Unregulated Single and Dual Output



0.60"x 0.30"x 0.24"

- 3000VDC I/O isolation
- Internal SMD technology
- Protection: Short circuit
- Cooling by free air convection
- Non-conductive plastic case
- SMD package style
- 100% full load burn-in test
- Low cost, high reliability
- 1 year warranty

Mechanism	Pin Configuration																																			
<p>Unit: mm(inch)</p> <p>TOP VIEW</p> <p>Dimensions: 15.24, 11.2 MAX, 7.50, 6.25, 6.00, 2.54, 0.25, 4.13, 2.54, 0.5</p>	<table border="1"> <thead> <tr> <th rowspan="2">Pin No.</th> <th colspan="2">Output</th> </tr> <tr> <th>Single</th> <th>Dual</th> </tr> </thead> <tbody> <tr><td>1</td><td>-Vin</td><td>-Vin</td></tr> <tr><td>2</td><td>+Vin</td><td>+Vin</td></tr> <tr><td>3</td><td>NC</td><td>NC</td></tr> <tr><td>5</td><td>-Vout</td><td>COM</td></tr> <tr><td>6</td><td>NC</td><td>-Vout</td></tr> <tr><td>7</td><td>NC</td><td>NC</td></tr> <tr><td>8</td><td>+Vout</td><td>+Vout</td></tr> <tr><td>10</td><td>NC</td><td>NC</td></tr> <tr><td>11</td><td>NC</td><td>NC</td></tr> <tr><td>12</td><td>NC</td><td>NC</td></tr> </tbody> </table>	Pin No.	Output		Single	Dual	1	-Vin	-Vin	2	+Vin	+Vin	3	NC	NC	5	-Vout	COM	6	NC	-Vout	7	NC	NC	8	+Vout	+Vout	10	NC	NC	11	NC	NC	12	NC	NC
Pin No.	Output																																			
	Single	Dual																																		
1	-Vin	-Vin																																		
2	+Vin	+Vin																																		
3	NC	NC																																		
5	-Vout	COM																																		
6	NC	-Vout																																		
7	NC	NC																																		
8	+Vout	+Vout																																		
10	NC	NC																																		
11	NC	NC																																		
12	NC	NC																																		

- Voltage set point accuracy $\pm 8\%$ (max.)
- Line regulation $\pm 1.2\%$ (max.) for 1% input variation
- Load regulation $\pm 8\%$ (max.)@20~100% load
- Efficiency 79% (typical)
- Short circuit protection Momentary
- Switching frequency 100kHz (typical)
- I/O isolation voltage 3000VDC (min.)
- I/O isolation resistance 100M Ω (min.)@ 500VDC
- Working temperature -40°C to +85°C
- Storage temperature -40°C to +105°C
- Temp. Coefficient $\pm 0.03\%$ / °C (max.)
- Case material non-conductive plastic
- Safety standards UL60950-1 approved

Stock No.	Model No.	Input (VDC)	Output (VDC)	Current (mA)	R&N (mVp-p)
30201	SBT01L-05	5 $\pm 10\%$	5	200	100
30202	SBT01L-09	5 $\pm 10\%$	9	111	100
30203	SBT01L-12	5 $\pm 10\%$	12	84	100
30204	SBT01L-15	5 $\pm 10\%$	15	67	100
30205	SBT01M-05	12 $\pm 10\%$	5	200	100
30206	SBT01M-09	12 $\pm 10\%$	9	111	100
30207	SBT01M-12	12 $\pm 10\%$	12	84	100
30208	SBT01M-15	12 $\pm 10\%$	15	67	100

Stock No.	Model No.	Input (VDC)	Output (VDC)	Current (mA)	R&N (mVp-p)
30211	SFT01L-05	5 $\pm 10\%$	5	200	100
30212	SFT01L-09	5 $\pm 10\%$	9	111	100
30213	SFT01L-12	5 $\pm 10\%$	12	84	100
30214	SFT01L-15	5 $\pm 10\%$	15	67	100
30215	SFT01M-05	12 $\pm 10\%$	5	200	100
30216	SFT01M-09	12 $\pm 10\%$	9	111	100
30217	SFT01M-12	12 $\pm 10\%$	12	84	100
30218	SFT01M-15	12 $\pm 10\%$	15	67	100

Stock No.	Model No.	Input (VDC)	Output (VDC)	Current (mA)	R&N (mVp-p)
30221	DET01L-05	5 $\pm 10\%$	± 5	± 100	100
30222	DET01L-09	5 $\pm 10\%$	± 9	± 56	100
30223	DET01L-12	5 $\pm 10\%$	± 12	± 42	100
30224	DET01L-15	5 $\pm 10\%$	± 15	± 33	100
30225	DET01M-05	12 $\pm 10\%$	± 5	± 100	100
30226	DET01M-09	12 $\pm 10\%$	± 9	± 56	100
30227	DET01M-12	12 $\pm 10\%$	± 12	± 42	100
30228	DET01M-15	12 $\pm 10\%$	± 15	± 33	100



Customer Satisfaction —

Today's effort, tomorrow's reward. Continuously improve CQTS to satisfy customer is our goal.



Best products also need best service.

We have authorized distributors all over the world. They have sufficient stock for your prompt delivery. Also they can offer you technical support & RMA services. Please contact your local distributors for more product information. You can also contact us at info@meanwell.com for information of your local distributors.

1W DC-DC Regulated Single Output



0.77"x 0.28"x 0.4"

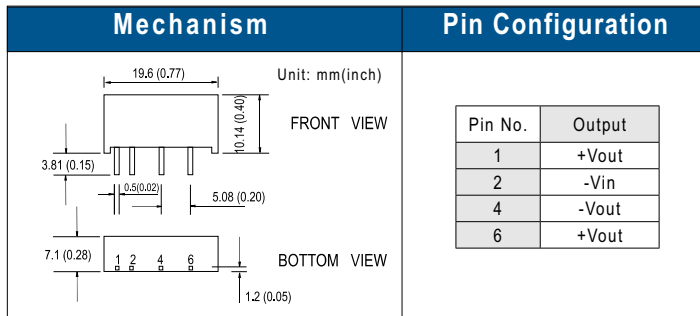
- 1000VDC I/O isolation
- Internal SMD technology
- Built-in EMI filter
- Protection: Short circuit
- Cooling by free air convection
- Non-conductive plastic case
- Single in line package
- DIP package is available
- 100% full load burn-in test
- Low cost, high reliability
- 2 years warranty

2W DC-DC Unregulated Single Output

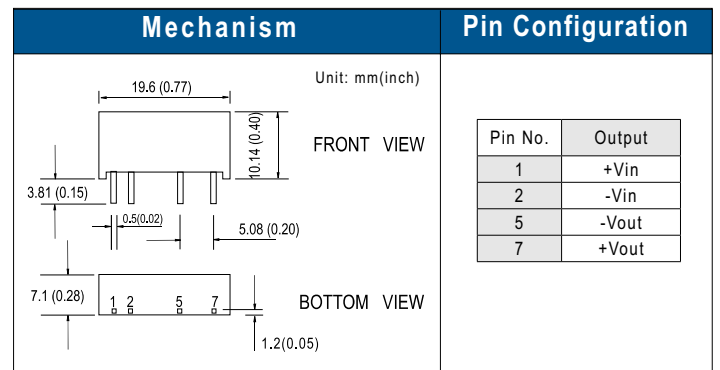


0.77"x 0.28"x 0.4"

- 3000VDC I/O isolation
- Internal SMD technology
- Built-in EMI filter
- Protection: Short circuit
- Cooling by free air convection
- Non-conductive plastic case
- Single in line package
- 100% full load burn-in test
- Low cost, high reliability
- 2 years warranty



- Voltage set point accuracy $\pm 2\%$ (typical)
- Line regulation $\pm 0.5\%$ (max.)
- Load regulation $\pm 0.5\%$ (max.)@10~100% load
- Efficiency 80% (typical)
- Short circuit protection Continuous, auto-recovery
- Switching frequency 100kHz (min.)
- I/O isolation voltage 1000VDC (min.)
- I/O isolation resistance 100M Ω (min.)
- Isolation capacitance 80pF (max.)
- Working temperature -40°C to +70°C (no derating), 85°C@50% load
- Storage temperature -25°C to +105°C
- Temp. Coefficient $\pm 0.03\%$ / °C (max.)
- Case material non-conductive plastic
- EMI Compliance to EN55022 Class B, FCC part15 Class B



- Voltage set point accuracy ... $\pm 2\%$ (max.)
- Line regulation $\pm 1.2\%$ (max.) for 1% input variation
- Load regulation $\pm 8\%$ (max.)@20~100% load
- Efficiency 83% (typical)
- Short circuit protection Momentary
- Switching frequency 100kHz (min.)
- I/O isolation voltage 3000VDC (min.)
- I/O isolation resistance 100M Ω (min.)
- Isolation capacitance 80pF (max.)
- Working temperature -25°C to +60°C (no derating), +71°C@80% load
- Storage temperature -25°C to +105°C
- Temp. Coefficient $\pm 0.03\%$ / °C (max.)
- Case material non-conductive plastic
- EMI Compliance to EN55022 Class B, FCC part15 Class B

Stock No.	Model No.	Input (VDC)	Output (VDC)	Current (mA)	R&N (mVp-p)
30441	SPR01L-05	5 $\pm 10\%$	5	200	100
30442	SPR01L-09	5 $\pm 10\%$	9	100	100
30443	SPR01L-12	5 $\pm 10\%$	12	84	100
30444	SPR01L-15	5 $\pm 10\%$	15	67	100
30445	SPR01M-05	12 $\pm 10\%$	5	200	100
30446	SPR01M-09	12 $\pm 10\%$	9	100	100
30447	SPR01M-12	12 $\pm 10\%$	12	84	100
30448	SPR01M-15	12 $\pm 10\%$	15	67	100
30449	SPR01N-05	24 $\pm 10\%$	5	200	100
30450	SPR01N-09	24 $\pm 10\%$	9	100	100
30451	SPR01N-12	24 $\pm 10\%$	12	84	100
30452	SPR01N-15	24 $\pm 10\%$	15	67	100
30453	SPR01O-05	48 $\pm 10\%$	5	200	100
30454	SPR01O-09	48 $\pm 10\%$	9	100	100
30455	SPR01O-12	48 $\pm 10\%$	12	84	100
30456	SPR01O-15	48 $\pm 10\%$	15	67	100

Stock No.	Model No.	Input (VDC)	Output (VDC)	Current (mA)	R&N (mVp-p)
30611	SPU02L-05	5 $\pm 10\%$	5	400	100
30612	SPU02L-12	5 $\pm 10\%$	12	167	100
30613	SPU02L-15	5 $\pm 10\%$	15	133	100
30614	SPU02M-05	12 $\pm 10\%$	5	400	100
30615	SPU02M-12	12 $\pm 10\%$	12	167	100
30616	SPU02M-15	12 $\pm 10\%$	15	133	100
30617	SPU02N-05	24 $\pm 10\%$	5	400	100
30618	SPU02N-12	24 $\pm 10\%$	12	167	100
30619	SPU02N-15	24 $\pm 10\%$	15	133	100



Who can provide you better services and be a trustworthy partner in the power industry?

— "MEAN WELL" tries to be —



Products —

- One Stop Shopping
- Total Solution

2~3W DC-DC Regulated Single Output

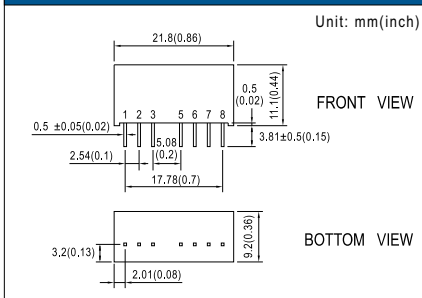


NEW

0.86"x 0.36"x 0.44"

- 2:1 wide input range
- 4:1 wide input range (option) for SPA02
- 1000VDC I/O isolation
- 3000VDC I/O isolation (option) for SPA02
- Built-in remote ON/OFF control
- Built-in EMI filter
- Protection: Short circuit / Overload
- Cooling by free air convection
- Non-conductive plastic case
- Single in line package
- 100% full load burn-in test
- Modified models available: output 3.3V / 9V
- 2 years warranty

Mechanism



Pin Configuration

Pin No.	Output
1	-Vin
2	+Vin
3	R.C.
5	N.C.
6	+Vout
7	-Vout
8	N.C.

- Voltage set point accuracy $\pm 2\%$ (max.)
- Line regulation $\pm 0.5\%$ (max.)
- Load regulation $\pm 0.5\%$ (max.)@10~100% load
- Efficiency 82% (typical)
- Short circuit protection Continuous, auto-recovery
- Overload protection 150%~250%, auto-recovery
- Switching frequency 100KHz (min.)
- I/O isolation voltage 1000VDC (min.)
- I/O isolation resistance 100M Ω (min.)
- Isolation capacitance 80pF (max.)
- Working temperature -40°C to +70°C (no derating), +85°C@50% load
- Storage temperature -25°C to +105°C
- Temp. Coefficient $\pm 0.03\%$ / °C (max.)
- Case material non-conductive plastic
- EMI Compliance to EN55022 Class B, FCC part15 Class B

Stock No.	Model No.	Input (VDC)	Output (VDC)	Current (mA)	R&N (mVp-p)
30661	SPA02E-05	4.5~9	5	400	60
30662	SPA02E-12	4.5~9	12	150	60
30663	SPA02E-15	4.5~9	15	120	60
30664	SPA02A-05	9~18	5	400	60
30665	SPA02A-12	9~18	12	167	60
30666	SPA02A-15	9~18	15	133	60
30667	SPA02B-05	18~36	5	400	60
30668	SPA02B-12	18~36	12	167	60
30669	SPA02B-15	18~36	15	133	60
30670	SPA02C-05	36~72	5	400	60
30671	SPA02C-12	36~72	12	167	60
30672	SPA02C-15	36~72	15	133	60

Stock No.	Model No.	Input (VDC)	Output (VDC)	Current (mA)	R&N (mVp-p)
30681	SPB03E-05	4.5~9	5	600	50
30682	SPB03E-12	4.5~9	12	250	60
30683	SPB03E-15	4.5~9	15	200	60
30684	SPB03A-05	9~18	5	600	50
30685	SPB03A-12	9~18	12	250	60
30686	SPB03A-15	9~18	15	200	60
30687	SPB03B-05	18~36	5	600	50
30688	SPB03B-12	18~36	12	250	60
30689	SPB03B-15	18~36	15	200	60
30690	SPB03C-05	36~72	5	600	50
30691	SPB03C-12	36~72	12	250	60
30692	SPB03C-15	36~72	15	200	60

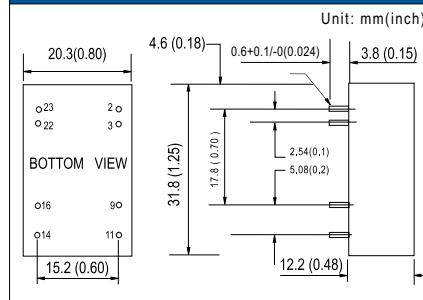
3W DC-DC Regulated Single and Dual Output



1.25"x 0.8"x 0.48"

- 2:1 wide input range
- 4:1 wide input range (option)
- 1000VDC I/O isolation
- 3000VDC I/O isolation (option)
- Built-in EMI filter
- Protection: Short circuit / Overload
- Cooling by free air convection
- Five-sided shield metal case
- 100% full load burn-in test
- Low cost, high reliability
- 2 years warranty

Mechanism



Pin Configuration

Pin No.	Output	
	Single	Dual
2&3	-Vin	-Vin
9	NC	COM
11	NC	-Vout
14	+Vout	+Vout
16	-Vout	COM
22&23	+Vin	+Vin

- Voltage set point accuracy $\pm 2\%$ (max.)
- Line regulation $\pm 0.5\%$ (max.)
- Load regulation $\pm 0.5\%$ (max.)@10~100% load
- Efficiency 82% (typical)
- Short circuit protection Continuous, auto-recovery
- Overload protection 160~250%, auto-recovery
- I/O isolation voltage 1000VDC (min.)
- I/O isolation resistance 100M Ω (min.)@ 500VDC
- Isolation capacitance 80pF (max.)
- Working temperature -25°C to +60°C (no derating), +71°C@80% load
- Storage temperature -25°C to +105°C
- Temp. Coefficient $\pm 0.03\%$ / °C (max.)
- Case material Five-sided shield metal case
- EMI Compliance to EN55022 Class B, FCC part15 Class B

Single Output

Stock No.	Model No.	Input (VDC)	Output (VDC)	Current (mA)	R&N (mVp-p)
30461	SCW03A-05	9~18	5	600	50
30462	SCW03A-12	9~18	12	250	60
30463	SCW03A-15	9~18	15	200	60
30464	SCW03B-05	18~36	5	600	50
30465	SCW03B-12	18~36	12	250	60
30466	SCW03B-15	18~36	15	200	60
30467	SCW03C-05	36~72	5	600	50
30468	SCW03C-12	36~72	12	250	60
30469	SCW03C-15	36~72	15	200	60

Dual Output

Stock No.	Model No.	Input (VDC)	Output (VDC)	Current (mA)	R&N (mVp-p)
30481	DCW03A-05	9~18	± 5	± 300	50
30482	DCW03A-12	9~18	± 12	± 125	60
30483	DCW03A-15	9~18	± 15	± 100	60
30484	DCW03B-05	18~36	± 5	± 300	50
30485	DCW03B-12	18~36	± 12	± 125	60
30486	DCW03B-15	18~36	± 15	± 100	60
30487	DCW03C-05	36~72	± 5	± 300	50
30488	DCW03C-12	36~72	± 12	± 125	60
30489	DCW03C-15	36~72	± 15	± 100	60

5~6W DC-DC Regulated Single and Dual Output



1.25"x 0.8"x 0.48"

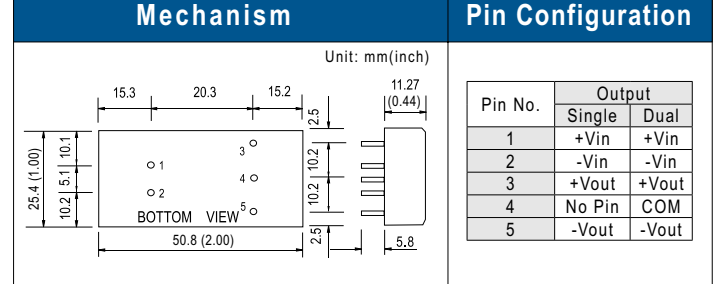
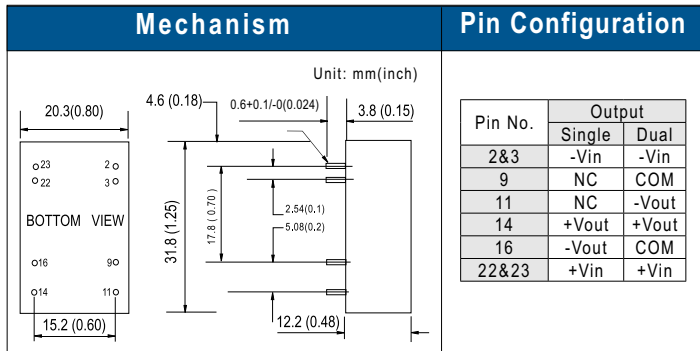
- 2:1 wide input range
- 4:1 wide input range(option)
- 1000VDC I/O isolation
- 3000VDC I/O isolation(option)
- Built-in EMI filter
- Protection: Short circuit / Overload
- Cooling by free air convection
- Five-sided shield metal case
- 100% full load burn-in test
- Low cost, high reliability
- 2 years warranty

5W DC-DC Regulated Single and Dual Output



2"x 1"x 0.44"

- 2:1 wide input range
- 4:1 wide input range(option)
- 1000VDC I/O isolation
- 3000VDC I/O isolation(option)
- Built-in EMI filter
- Protection: Short circuit / Overload
- Cooling by free air convection
- Six-sided shield metal case
- 100% full load burn-in test
- Low cost, high reliability
- 2 years warranty



- Voltage set point accuracy $\pm 2\%$ (max.)
- Line regulation $\pm 0.5\%$ (max.)
- Load regulation $\pm 0.5\%$ (max.)@20~100% load
- Efficiency 85% (typical)
- Short circuit protection continuous, auto-recovery
- Overload protection 150~250%, auto-recovery
- I/O isolation voltage 1000VDC (min.)
- I/O isolation resistance 100M Ω (min.)@ 500VDC
- Isolation capacitance 80pF (max.)
- Working temperature -25°C to +60°C (no derating), +71°C@80% load
- Storage temperature -25°C to +105°C
- Temp. Coefficient $\pm 0.03\%$ / °C (max.)
- Case material Five-sided shield metal case
- EMI Compliance to EN55022 Class B, FCC part15 Class B

Single Output

Stock No.	Model No.	Input (VDC)	Output (VDC)	Current (mA)	R&N (mVp-p)
30541	SCW05A-05	9~18	5	1000	50
30542	SCW05A-09	9~18	9	556	60
30543	SCW05A-12	9~18	12	470	60
30544	SCW05A-15	9~18	15	400	60
30545	SCW05B-05	18~36	5	1000	50
30546	SCW05B-09	18~36	9	556	60
30547	SCW05B-12	18~36	12	470	60
30548	SCW05B-15	18~36	15	400	60
30549	SCW05C-05	36~72	5	1000	50
30550	SCW05C-09	36~72	9	556	60
30551	SCW05C-12	36~72	12	470	60
30552	SCW05C-15	36~72	15	400	60

Dual Output

Stock No.	Model No.	Input (VDC)	Output (VDC)	Current (mA)	R&N (mVp-p)
30561	DCW05A-05	9~18	± 5	± 500	50
30562	DCW05A-12	9~18	± 12	± 230	60
30563	DCW05A-15	9~18	± 15	± 190	60
30564	DCW05B-05	18~36	± 5	± 500	50
30565	DCW05B-12	18~36	± 12	± 230	60
30566	DCW05B-15	18~36	± 15	± 190	60
30567	DCW05C-05	36~72	± 5	± 500	50
30568	DCW05C-12	36~72	± 12	± 230	60
30569	DCW05C-15	36~72	± 15	± 190	60

- Voltage set point accuracy ... $\pm 2\%$ (max.)
- Line regulation $\pm 0.2\%$ (max.)
- Load regulation $\pm 0.5\%$ (max.)@10~100% load
- Efficiency 85% (typical)
- Short circuit protection continuous, auto-recovery
- Overload protection 160~250%, auto-recovery
- I/O isolation voltage 1000VDC (min.)
- I/O isolation resistance 100M Ω (min.)@ 500VDC
- Working temperature -25°C to +60°C (no derating), +71°C@80% load
- Storage temperature -25°C to +105°C
- Temp. Coefficient $\pm 0.03\%$ / °C (max.)
- Case material Six-sided shield metal case
- EMI Compliance to EN55022 Class B, FCC part15 Class B

Single Output

Stock No.	Model No.	Input (VDC)	Output (VDC)	Current (mA)	R&N (mVp-p)
30501	SLW05A-05	9~18	5	1000	50
30502	SLW05A-09	9~18	9	556	60
30503	SLW05A-12	9~18	12	417	60
30504	SLW05A-15	9~18	15	333	60
30505	SLW05B-05	18~36	5	1000	50
30506	SLW05B-09	18~36	9	556	60
30507	SLW05B-12	18~36	12	417	60
30508	SLW05B-15	18~36	15	333	60
30509	SLW05C-05	36~72	5	1000	50
30510	SLW05C-09	36~72	9	556	60
30511	SLW05C-12	36~72	12	417	60
30512	SLW05C-15	36~72	15	333	60

Dual Output

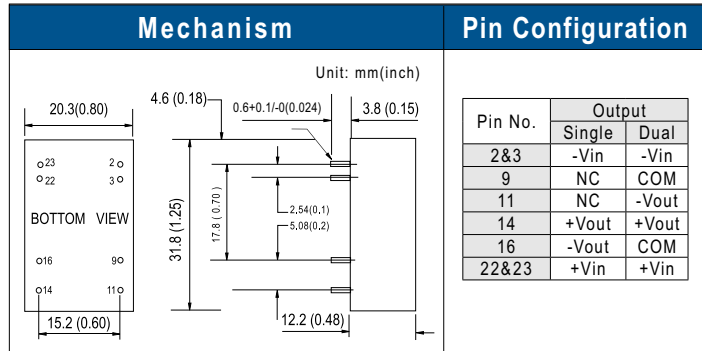
Stock No.	Model No.	Input (VDC)	Output (VDC)	Current (mA)	R&N (mVp-p)
30521	DLW05A-05	9~18	± 5	± 500	50
30522	DLW05A-12	9~18	± 12	± 208	60
30523	DLW05A-15	9~18	± 15	± 167	60
30524	DLW05B-05	18~36	± 5	± 500	50
30525	DLW05B-12	18~36	± 12	± 208	60
30526	DLW05B-15	18~36	± 15	± 167	60
30527	DLW05C-05	36~72	± 5	± 500	50
30528	DLW05C-12	36~72	± 12	± 208	60
30529	DLW05C-15	36~72	± 15	± 167	60

8W DC-DC Regulated Single and Dual Output



1.25"x 0.8"x 0.48"

- 2:1 wide input range
- 1000VDC I/O isolation
- Built-in EMI filter
- Protection: Short circuit / Overload
- Cooling by free air convection
- Five-sided shield metal case
- 100% full load burn-in test
- Low cost, high reliability
- 2 years warranty



- Voltage set point accuracy $\pm 2\%$ (max.)
 Line regulation $\pm 0.5\%$ (max.)
 Load regulation $\pm 0.5\%$ (max.)@20~100% load
 Efficiency 81% (typical)
 Short circuit protection continuous, auto-recovery
 Overload protection 110~250%, auto-recovery
 I/O isolation voltage 1000VDC (min.)
 I/O isolation resistance 100M Ω (min.)@ 500VDC
 Isolation capacitance 250pF (max.)
 Working temperature -25°C to +60°C (no derating),
 +71°C@80% load
 Storage temperature -25°C to +105°C
 Temp. Coefficient $\pm 0.03\%$ / °C (max.)
 Case material Five-sided shield metal case
 EMI Compliance to EN55022 Class B,
 FCC part15 Class B

Single Output

Stock No.	Model No.	Input (VDC)	Output (VDC)	Current (mA)	R&N (mVp-p)
30621	SCW08A-05	9~18	5	1600	50
30622	SCW08A-12	9~18	12	670	60
30623	SCW08A-15	9~18	15	533	60
30624	SCW08B-05	18~36	5	1600	50
30625	SCW08B-12	18~36	12	670	60
30626	SCW08B-15	18~36	15	533	60
30627	SCW08C-05	36~72	5	1600	50
30628	SCW08C-12	36~72	12	670	60
30629	SCW08C-15	36~72	15	533	60

Dual Output

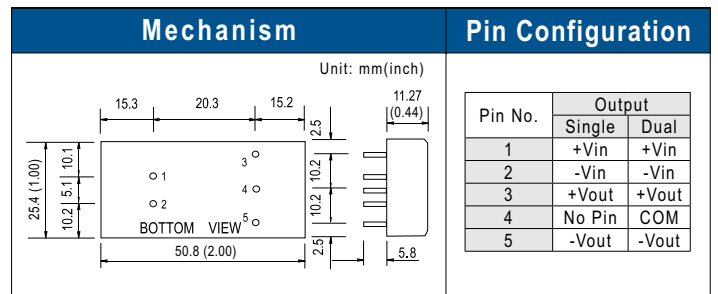
Stock No.	Model No.	Input (VDC)	Output (VDC)	Current (mA)	R&N (mVp-p)
30631	DCW08A-05	9~18	± 5	± 800	50
30632	DCW08A-12	9~18	± 12	± 335	60
30633	DCW08A-15	9~18	± 15	± 267	60
30634	DCW08B-05	18~36	± 5	± 800	50
30635	DCW08B-12	18~36	± 12	± 335	60
30636	DCW08B-15	18~36	± 15	± 267	60
30637	DCW08C-05	36~72	± 5	± 800	50
30638	DCW08C-12	36~72	± 12	± 335	60
30639	DCW08C-15	36~72	± 15	± 267	60

10W DC-DC Regulated Single and Dual Output



2"x 1"x 0.44"

- 2:1 wide input range
- 4:1 wide input range(option)
- 1000VDC I/O isolation
- 3000VDC I/O isolation (option)
- Built-in EMI filter
- Protection: Short circuit / Overload
- Cooling by free air convection
- Six-sided shield metal case
- 100% full load burn-in test
- Low cost, high reliability
- 2 years warranty



- Voltage set point accuracy ... $\pm 2\%$ (max.)
 Line regulation $\pm 0.3\%$ (max.)
 Load regulation $\pm 0.5\%$ (max.)@10~100% load
 Efficiency 85% (typical)
 Short circuit protection continuous, auto-recovery
 Overload protection 160~250%, auto-recovery
 I/O isolation voltage 1000VDC (min.)
 I/O isolation resistance 100M Ω (min.)@ 500VDC
 Working temperature -25°C to +60°C (no derating), +71°C@80% load
 Storage temperature -25°C to +105°C
 Temp. Coefficient $\pm 0.03\%$ / °C (max.)
 Case material Six-sided shield metal case
 EMI Compliance to EN55022 Class B,
 FCC part15 Class B

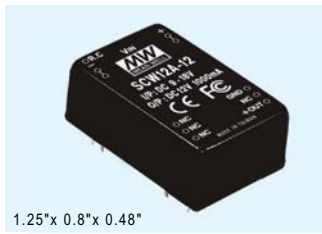
Single Output

Stock No.	Model No.	Input (VDC)	Output (VDC)	Current (mA)	R&N (mVp-p)
30081	SKE10A-05	9~18	5	2000	50
30082	SKE10A-12	9~18	12	840	60
30083	SKE10A-15	9~18	15	666	60
30084	SKE10A-24	9~18	24	420	80
30085	SKE10B-05	18~36	5	2000	50
30086	SKE10B-12	18~36	12	840	60
30087	SKE10B-15	18~36	15	666	60
30088	SKE10B-24	18~36	24	420	80
30089	SKE10C-05	36~72	5	2000	50
30090	SKE10C-12	36~72	12	840	60
30091	SKE10C-15	36~72	15	666	60
30092	SKE10C-24	36~72	24	420	80

Dual Output

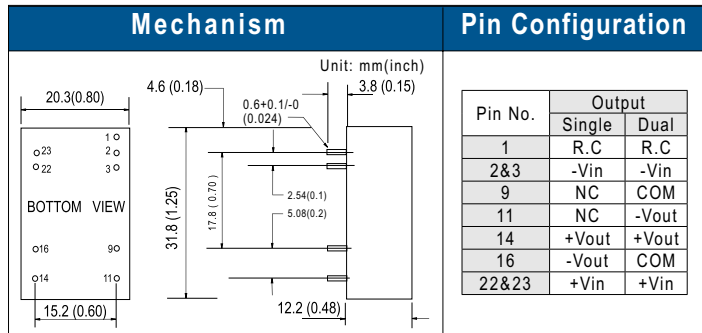
Stock No.	Model No.	Input (VDC)	Output (VDC)	Current (mA)	R&N (mVp-p)
30101	DKE10A-05	9~18	± 5	± 1000	50
30102	DKE10A-12	9~18	± 12	± 420	60
30103	DKE10A-15	9~18	± 15	± 333	60
30104	DKE10A-24	9~18	± 24	± 210	80
30105	DKE10B-05	18~36	± 5	± 1000	50
30106	DKE10B-12	18~36	± 12	± 420	60
30107	DKE10B-15	18~36	± 15	± 333	60
30108	DKE10B-24	18~36	± 24	± 210	80
30109	DKE10C-05	36~72	± 5	± 1000	50
30110	DKE10C-12	36~72	± 12	± 420	60
30111	DKE10C-15	36~72	± 15	± 333	60
30112	DKE10C-24	36~72	± 24	± 210	80

12W DC-DC Regulated Single and Dual Output



1.25"x 0.8"x 0.48"

- 2:1 wide input range
- 1500VDC I/O isolation
- Built-in remote ON/OFF control
- Built-in EMI filter
- Protection: Short circuit / Overload
- Cooling by free air convection
- Five-sided shield metal case
- 100% full load burn-in test
- Low cost, high reliability
- Modified models available:
output 2.5V / 3.3V
- 2 years warranty



- Voltage set point accuracy ... $\pm 2\%$ (max.)
 Line regulation $\pm 0.5\%$ (max.)
 Load regulation $\pm 0.5\%$ (max.)@20~100% load
 Efficiency 83% (typical)
 Short circuit protection continuous, auto-recovery
 Overload protection 110~180%, auto-recovery
 I/O isolation voltage 1500VDC (min.)
 I/O isolation resistance 100M Ω (min.)@ 500VDC
 Working temperature -25°C to +60°C (no derating), +71°C@60% load
 Storage temperature -25°C to +105°C
 Temp. Coefficient $\pm 0.03\%$ / °C (max.)
 Case material Five-sided shield metal case
 EMI Compliance to EN55022 Class A,
 FCC part15 Class A

Single Output

Stock No.	Model No.	Input (VDC)	Output (VDC)	Current (mA)	R&N (mVp-p)
30641	SCW12A-05	9~18	5	2400	50
30642	SCW12A-12	9~18	12	1000	60
30643	SCW12A-15	9~18	15	800	60
30644	SCW12B-05	18~36	5	2400	50
30645	SCW12B-12	18~36	12	1000	60
30646	SCW12B-15	18~36	15	800	60
30647	SCW12C-05	36~72	5	2400	50
30648	SCW12C-12	36~72	12	1000	60
30649	SCW12C-15	36~72	15	800	60

Dual Output

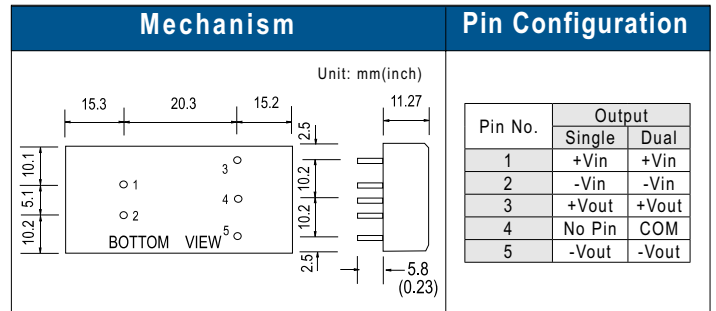
Stock No.	Model No.	Input (VDC)	Output (VDC)	Current (mA)	R&N (mVp-p)
30651	DCW12A-05	9~18	± 5	± 1200	50
30652	DCW12A-12	9~18	± 12	± 500	60
30653	DCW12A-15	9~18	± 15	± 400	60
30654	DCW12B-05	18~36	± 5	± 1200	50
30655	DCW12B-12	18~36	± 12	± 500	60
30656	DCW12B-15	18~36	± 15	± 400	60
30657	DCW12C-05	36~72	± 5	± 1200	50
30658	DCW12C-12	36~72	± 12	± 500	60
30659	DCW12C-15	36~72	± 15	± 400	60

15W DC-DC Regulated Single and Dual Output



2"x 1"x 0.44"

- 2:1 wide input range
- 4:1 wide input range(option)
- 1000VDC I/O isolation
- 3000VDC I/O isolation (option)
- Built-in EMI filter
- Protection: Short circuit / Overload
- Cooling by free air convection
- Six-sided shield metal case
- 100% full load burn-in test
- Low cost, high reliability
- 2 years warranty



- Voltage set point accuracy ... $\pm 2\%$ (max.)
 Line regulation $\pm 0.2\%$ (max.)
 Load regulation $\pm 0.5\%$ (max.)@10~100% load
 Efficiency 82% (typical)
 Short circuit protection continuous, auto-recovery
 Overload protection 110~250%, auto-recovery
 I/O isolation voltage 1000VDC (min.)
 I/O isolation resistance 100M Ω (min.)@ 500VDC
 Working temperature -25°C to +60°C (no derating), +71°C@80% load
 Storage temperature -25°C to +105°C
 Temp. Coefficient $\pm 0.03\%$ / °C (max.)
 Case material Six-sided shield metal case
 EMI Compliance to EN55022 Class B,
 FCC part15 Class B

Single Output

Stock No.	Model No.	Input (VDC)	Output (VDC)	Current (mA)	R&N (mVp-p)
30581	SKA15A-033	9~18	3.3	3000	50
30582	SKA15A-05	9~18	5	3000	50
30583	SKA15A-12	9~18	12	1250	60
30584	SKA15A-15	9~18	15	1000	60
30585	SKA15B-033	18~36	3.3	3000	50
30586	SKA15B-05	18~36	5	3000	50
30587	SKA15B-12	18~36	12	1250	60
30588	SKA15B-15	18~36	15	1000	60
30589	SKA15C-033	36~72	3.3	3000	50
30590	SKA15C-05	36~72	5	3000	50
30591	SKA15C-12	36~72	12	1250	60
30592	SKA15C-15	36~72	15	1000	60

Dual Output

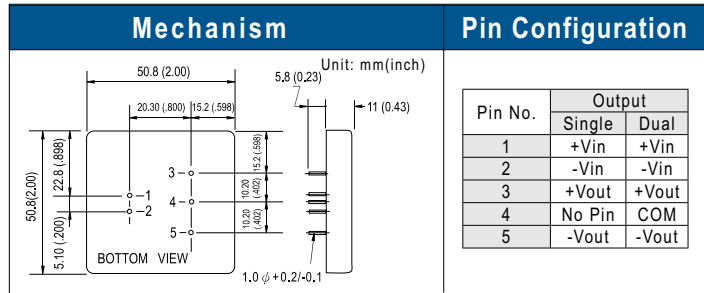
Stock No.	Model No.	Input (VDC)	Output (VDC)	Current (mA)	R&N (mVp-p)
30601	DKA15A-05	9~18	± 5	± 1500	50
30602	DKA15A-12	9~18	± 12	± 625	60
30603	DKA15A-15	9~18	± 15	± 500	60
30604	DKA15B-05	18~36	± 5	± 1500	50
30605	DKA15B-12	18~36	± 12	± 625	60
30606	DKA15B-15	18~36	± 15	± 500	60
30607	DKA15C-05	36~72	± 5	± 1500	50
30615	DKA15C-12	36~72	± 12	± 625	60
30609	DKA15C-15	36~72	± 15	± 500	60

15W DC-DC Regulated Single and Dual Output



2"x 2"x 0.43"

- 2:1 wide input range
- 4:1 wide input range(option)
- 1000VDC I/O isolation
- 3000VDC I/O isolation(option)
- Built-in EMI filter
- Protections: Short circuit / Overload
- Cooling by free air convection
- Six-sided shield metal case
- 100% full load burn-in test
- Low cost, high reliability
- 2 years warranty



Voltage set point accuracy ... $\pm 2\%$ (max.)
 Line regulation $\pm 0.3\%$ (max.)
 Load regulation $\pm 0.5\%$ (max.)@10~100% load
 Efficiency 85% (typical)
 Short circuit protection continuous, auto-recovery
 Overload protection 160~250%, auto-recovery
 I/O isolation voltage 1000VDC (min.)
 I/O isolation resistance 100M Ω (min.)@ 500VDC
 Working temperature -25°C to +60°C (no derating), +71°C@80% load
 Storage temperature -25°C to +105°C
 Temp. Coefficient $\pm 0.03\%$ / °C (max.)
 Case material Six-sided shield metal case
 EMI Compliance to EN55022 Class B, FCC part15 Class B

Single Output

Stock No.	Model No.	Input (VDC)	Output (VDC)	Current (mA)	R&N (mVp-p)
30121	SKE15A-05	9~18	5	3000	50
30122	SKE15A-12	9~18	12	1250	60
30123	SKE15A-15	9~18	15	1000	60
30124	SKE15A-24	9~18	24	625	80
30125	SKE15B-05	18~36	5	3000	50
30126	SKE15B-12	18~36	12	1250	60
30127	SKE15B-15	18~36	15	1000	60
30128	SKE15B-24	18~36	24	625	80
30129	SKE15C-05	36~72	5	3000	50
30130	SKE15C-12	36~72	12	1250	60
30131	SKE15C-15	36~72	15	1000	60
30132	SKE15C-24	36~72	24	625	80

Dual Output

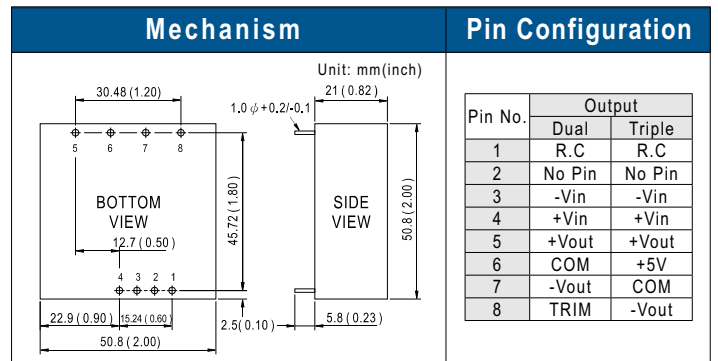
Stock No.	Model No.	Input (VDC)	Output (VDC)	Current (mA)	R&N (mVp-p)
30141	DKE15A-05	9~18	± 5	± 1500	50
30142	DKE15A-12	9~18	± 12	± 625	60
30143	DKE15A-15	9~18	± 15	± 500	60
30144	DKE15A-24	9~18	± 24	± 313	80
30145	DKE15B-05	18~36	± 5	± 1500	50
30146	DKE15B-12	18~36	± 12	± 625	60
30147	DKE15B-15	18~36	± 15	± 500	60
30148	DKE15B-24	18~36	± 24	± 313	80
30149	DKE15C-05	36~72	± 5	± 1500	50
30150	DKE15C-12	36~72	± 12	± 625	60
30151	DKE15C-15	36~72	± 15	± 500	60
30152	DKE15C-24	36~72	± 24	± 313	80

25~30W DC-DC Regulated Dual and Triple Output



2"x 2"x 0.82"

- 2:1 wide input range
- 4:1 wide input range(option)
- 1000VDC I/O isolation
- Built-in remote ON/OFF control
- Built-in EMI filter
- Trimming output ($\pm 10\%$) for dual output
- Protections: Short circuit / Overload
- Cooling by free air convection
- Six-sided shield metal case
- 100% full load burn-in test
- Low cost, high reliability
- 2 years warranty



Voltage set point accuracy $\pm 2\%$ (max.)
 Line regulation $\pm 0.5\%$ (max.) for dual output;
 $\pm 1\%$ (max.) for triple output
 Load regulation $\pm 0.5\%$ (10%~full load)(Dual)
 $\pm 5\%$ (20%~full load)(Triple)
 Efficiency 83% (typical)
 Short circuit protection continuous, auto-recovery
 Overload protection 110~250%, auto-recovery
 I/O isolation voltage 1000VDC (min.)
 I/O isolation resistance 100M Ω (min.)@ 500VDC
 Working temperature -25°C to +71°C (no derating), +85°C@60% load
 Storage temperature -40°C to +105°C
 Temp. Coefficient $\pm 0.03\%$ / °C (max.)
 Case material Six-sided shield metal case
 EMI Compliance to EN55022 Class B, FCC part15 Class B

Dual Output

Stock No.	Model No.	Input (VDC)	Output (VDC)	Current (mA)	R&N (mVp-p)
30161	DKA30A-05	9~18	± 5	± 2500	100
30162	DKA30A-12	9~18	± 12	± 1250	100
30163	DKA30A-15	9~18	± 15	± 1000	100
30164	DKA30B-05	18~36	± 5	± 2500	100
30165	DKA30B-12	18~36	± 12	± 1250	100
30166	DKA30B-15	18~36	± 15	± 1000	100
30167	DKA30C-05	36~72	± 5	± 2500	100
30168	DKA30C-12	36~72	± 12	± 1250	100
30169	DKA30C-15	36~72	± 15	± 1000	100

Triple Output

Stock No.	Model No.	Input (VDC)	Output (VDC)	Current (mA)	R&N (mVp-p)
30191	TKA30A-B	9~18	+5 / ± 12	3500 / ± 310	100
30192	TKA30A-C	9~18	+5 / ± 15	3500 / ± 250	100
30193	TKA30B-B	18~36	+5 / ± 12	3500 / ± 310	100
30194	TKA30B-C	18~36	+5 / ± 15	3500 / ± 250	100
30195	TKA30C-B	36~72	+5 / ± 12	3500 / ± 310	100
30196	TKA30C-C	36~72	+5 / ± 15	3500 / ± 250	100

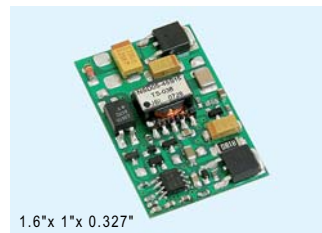
30W DC-DC Regulated Single Output



2"x 2"x 0.63"

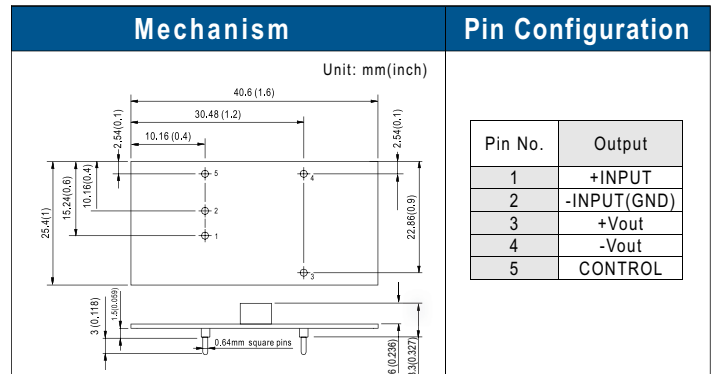
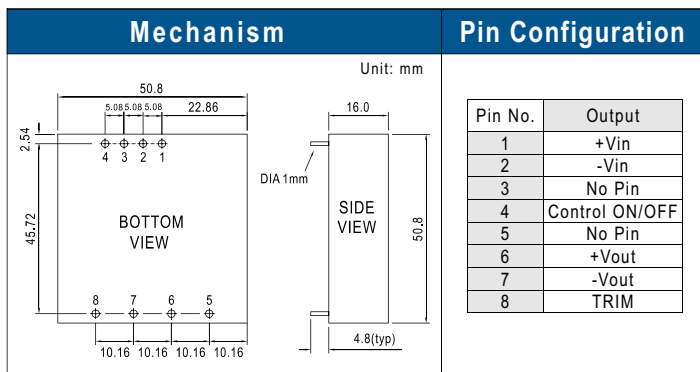
- 2:1 wide input range
- 1000VDC I/O isolation
- Built-in remote ON/OFF control
- Built-in EMI filter
- Trimming output ($\pm 10\%$)
- Protections: Short circuit / Overload / Over voltage
- Cooling by free air convection
- Compact size, high efficiency
- 100% full load burn-in test
- Low cost, high reliability
- 2 years warranty

5W DC-DC Regulated Single Output



1.6"x 1"x 0.327"

- 4:1 wide input range
- 1000VDC I/O isolation
- Built-in EMI filter
- Protections: Short circuit / Overload / Over voltage
- Built-in remote ON/OFF control
- Cooling by free air convection
- 100% full load burn-in test
- Low cost, high reliability
- 2 years warranty



- Voltage set point accuracy ... $\pm 2.0\%$ (max.) ($\pm 3\%$ for 3.3VDC models)
- Line regulation $\pm 1.0\%$ (max.)
- Load regulation $\pm 1\%$ (max.) @10%~full load
- Overload protection Over 105% power limiting, auto-recovery
- Over voltage protection 115~150% rated output voltage
- Efficiency (typical) 80% for 12V input
83% for 24V input
85% for 48V input
- I/O isolation voltage 1000VDC(min.)
- I/O isolation resistance 100M Ω (min.) @500VDC
- Working temperature -25°C to +85°C(refer to output derating curve)
- Storage temperature -25°C to 85°C
- Safety standards Design refer to UL1950, TUV EN60950
- Case Material Six-sided shield metal case
- EMI Compliance to EN55022 class B
- Packing 0.1kg ; 150pcs / 15.8kg / 0.97CUFT

- Voltage set point accuracy ... $\pm 2.0\%$ (max.)
- Line regulation $\pm 1.0\%$ (max.)
- Load regulation $\pm 1\sim 2\%$ (max.)@10%~full load
- Efficiency 85% (typical)
- Short circuit protection continuous, auto-recovery
- Overload protection over 105% power limiting, auto-recovery
- I/O isolation voltage 1000VDC
- I/O isolation resistance 100M Ω (min.)@ 500VDC, 25°C 70% RH
- Working temperature -25°C to +70°C (refer to output derating curve)
- Storage temperature -40°C to +85°C
- Temp. Coefficient $\pm 0.03\%$ / °C (0~60°C)
- Safety standards IEC60950-1 CB approved by TUV
- EMC standards EN55022 Class B, EN61000-4-2,3,4,5,6,8
- Packing 0.007kg ; 700pcs / 5.9kg / 0.97CUFT

Stock No.	Model No.	Input (VDC)	Output (VDC)	Current (A)	R&N (mVp-p)
30171	SDM30-12S3	9~18	3.3	5.0	75
30172	SDM30-12S5	9~18	5	5.0	75
30173	SDM30-12S12	9~18	12	2.1	100
30174	SDM30-12S15	9~18	15	1.7	100
30175	SDM30-24S3	18~36	3.3	5.0	75
30176	SDM30-24S5	18~36	5	5.0	75
30177	SDM30-24S12	18~36	12	2.5	100
30178	SDM30-24S15	18~36	15	2.0	100
30179	SDM30-48S3	36~72	3.3	5.0	75
30180	SDM30-48S5	36~72	5	5.0	75
30181	SDM30-48S12	36~72	12	2.5	100
30182	SDM30-48S15	36~72	15	2.0	100

Stock No.	Model No.	Input (VDC)	Output (VDC)	Current (mA)	R&N (mVp-p)
31101	NSD05-12S3	9.2~36	3.3	1200	75
31102	NSD05-12S5	9.2~36	5	1000	75
31103	NSD05-12S12	9.2~36	12	420	75
31104	NSD05-12S15	9.2~36	15	330	75
31105	NSD05-48S3	18~72	3.3	1200	75
31106	NSD05-48S5	18~72	5	1000	75
31107	NSD05-48S12	18~72	12	420	75
31108	NSD05-48S15	18~72	15	330	75



We provide specification, drawing, test report and more information, please visit our website —

<http://www.meanwell.com>



48hrs delivery—

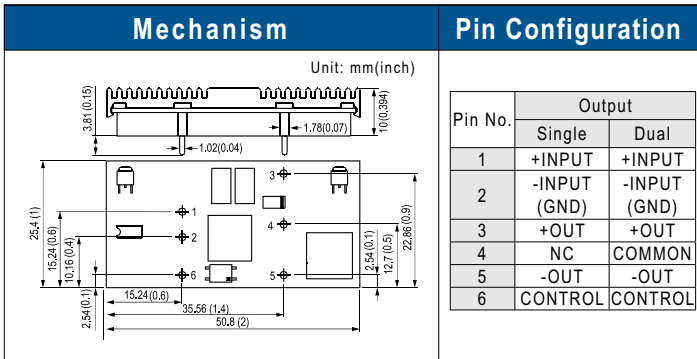
We keep enough stock for 95% of standard models at our 2400m² warehouse. We can arrange prompt delivery within 48hrs.

10W DC-DC Regulated Single and Dual Output



- 4:1 wide input range
- 1000VDC I/O isolation
- Protections: Short circuit / Overload / Over voltage
- Built-in EMI filter
- Built-in remote ON/OFF control
- Cooling by free air convection
- 100% full load burn-in test
- Low cost, high reliability
- 2 years warranty

2"x 1"x 0.394"



- Voltage set point accuracy $\pm 2\%$ (max.)
- Line regulation $\pm 1\%$ @10%~full load
- Load regulation $\pm 1\sim\pm 3\%$ @10%~full load
- Efficiency 80% (typical)
- Short circuit protection continuous, auto-recovery
- Over voltage protection clamp@115~150%
- Shutdown idle current 20mA
- I/O isolation voltage 1000VDC
- I/O isolation resistance 100M Ω (min.) @500VDC
- Working temperature -25~+70°C
- Storage temperature -40~+85°C
- Temp. coefficient $\pm 0.03\%$ / °C(0~60°C)
- Safety standards UL60950-1 approved
- EMC standards EN55022 Class B, EN61000-4-2,3,4,6,8
- Packing 0.02kg ; 300pcs / 7.0kg / 0.97CUFT

◆ Single Output

Stock No.	Model No.	Input (VDC)	Output (VDC)	Current (mA)	R&N (mVp-p)
31061	NSD10-12S3	9.8~36	3.3	2500	75
31062	NSD10-12S5	9.8~36	5	2000	75
31063	NSD10-12S9	9.8~36	9	1100	75
31064	NSD10-12S12	9.8~36	12	830	75
31065	NSD10-12S15	9.8~36	15	670	75
31066	NSD10-48S3	22~72	3.3	2500	75
31067	NSD10-48S5	22~72	5	2000	75
31068	NSD10-48S9	22~72	9	1100	75
31069	NSD10-48S12	22~72	12	830	75
31070	NSD10-48S15	22~72	15	670	75

◆ Dual Output

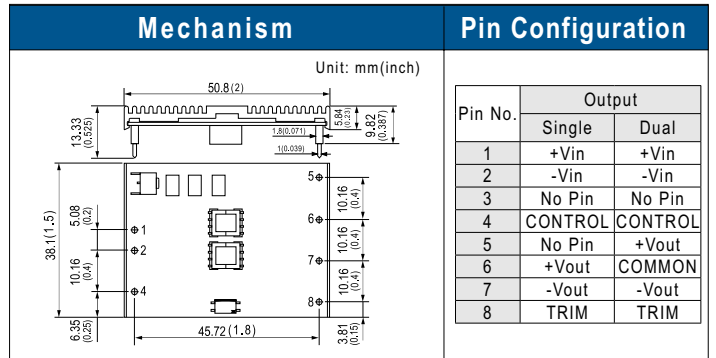
Stock No.	Model No.	Input (VDC)	Output (VDC)	Current (mA)	R&N (mVp-p)
31071	NSD10-12D5	9.8~36	± 5	$\pm 50\sim 1000$	75
31072	NSD10-12D12	9.8~36	± 12	$\pm 20\sim 420$	75
31073	NSD10-12D15	9.8~36	± 15	$\pm 16\sim 330$	75
31074	NSD10-48D5	22~72	± 5	$\pm 50\sim 1000$	75
31075	NSD10-48D12	22~72	± 12	$\pm 20\sim 420$	75
31076	NSD10-48D15	22~72	± 15	$\pm 16\sim 330$	75

15W DC-DC Regulated Single and Dual Output



- 4:1 wide input range
- 1500VDC I/O isolation
- Protections: Short circuit / Overload / Over voltage
- Built-in EMI filter
- Output voltage trimming function
- Built-in remote ON/OFF control
- Cooling by free air convection
- 100% full load burn-in test
- Low cost, high reliability
- 2 years warranty

2"x 1.5"x 0.387"



- Voltage set point accuracy $\pm 2\%$ (max.)
- Line regulation $\pm 1\%$ @10%~full load
- Load regulation $\pm 1\sim\pm 3\%$ @10%~full load
- Efficiency 85% (typical)
- Short circuit protection continuous, auto-recovery
- Over voltage protection clamp@115~150%
- Shutdown idle current 20mA
- I/O isolation voltage 1500VDC
- I/O isolation resistance 100M Ω (min.) @500VDC
- Working temperature -25~+70°C
- Storage temperature -40~+85°C
- Temp. coefficient $\pm 0.03\%$ / °C(0~50°C)
- Safety standards UL60950-1 approved
- EMC standards EN55022 Class B, EN61000-4-2,3,4,6,8
- Packing 0.03kg ; 180pcs / 6.4kg / 0.97CUFT

◆ Single Output

Stock No.	Model No.	Input (VDC)	Output (VDC)	Current (mA)	R&N (mVp-p)
31081	NSD15-12S3	9.4~36	3.3	3750	100
31082	NSD15-12S5	9.4~36	5	3000	75
31083	NSD15-12S12	9.4~36	12	1250	75
31084	NSD15-12S15	9.4~36	15	1000	75
31085	NSD15-48S3	18~72	3.3	3750	100
31086	NSD15-48S5	18~72	5	3000	75
31087	NSD15-48S12	18~72	12	1250	75
31088	NSD15-48S15	18~72	15	1000	75

◆ Dual Output

Stock No.	Model No.	Input (VDC)	Output (VDC)	Current (mA)	R&N (mVp-p)
31091	NSD15-12D5	9.4~36	± 5	$\pm 70\sim 1500$	100
31092	NSD15-12D12	9.4~36	± 12	$\pm 30\sim 620$	100
31093	NSD15-12D15	9.4~36	± 15	$\pm 20\sim 500$	100
31094	NSD15-48D5	18~72	± 5	$\pm 70\sim 1500$	100
31095	NSD15-48D12	18~72	± 12	$\pm 30\sim 620$	100
31096	NSD15-48D15	18~72	± 15	$\pm 20\sim 500$	100

12~60W Single Output Non-isolated DC-DC Converter

- Non-isolated, fix-frequency at 250kHz
- 3:1 wide input range for 5~15V output
- $\pm 2\%$ output voltage accuracy
- High efficiency up to 97%
- Built-in remote ON/OFF control
- Compact size
- Cooling by free air convection
- Economical open frame design
- Protections: Short circuit / Overload / Over voltage
- 2 years warranty



◆ NID30 Series

Mechanism	Pin Configuration												
<p>Unit: mm(inch) 10.7(0.421)max.</p>	<table border="1"> <thead> <tr> <th>Pin No.</th> <th>Output</th> </tr> </thead> <tbody> <tr> <td>1,2,3,4</td> <td>+Vout</td> </tr> <tr> <td>5,6</td> <td>COM</td> </tr> <tr> <td>7,8</td> <td>+Vin</td> </tr> <tr> <td>9,10</td> <td>N.C.</td> </tr> <tr> <td>11</td> <td>R.C.</td> </tr> </tbody> </table>	Pin No.	Output	1,2,3,4	+Vout	5,6	COM	7,8	+Vin	9,10	N.C.	11	R.C.
Pin No.	Output												
1,2,3,4	+Vout												
5,6	COM												
7,8	+Vin												
9,10	N.C.												
11	R.C.												

◆ NID60 Series

Mechanism	Pin Configuration												
<p>Unit: mm(inch) 10.7(0.421)max.</p>	<table border="1"> <thead> <tr> <th>Pin No.</th> <th>Output</th> </tr> </thead> <tbody> <tr> <td>1,2,3,4</td> <td>+Vout</td> </tr> <tr> <td>5,6</td> <td>COM</td> </tr> <tr> <td>7,8</td> <td>+Vin</td> </tr> <tr> <td>9,10</td> <td>N.C.</td> </tr> <tr> <td>11</td> <td>R.C.</td> </tr> </tbody> </table>	Pin No.	Output	1,2,3,4	+Vout	5,6	COM	7,8	+Vin	9,10	N.C.	11	R.C.
Pin No.	Output												
1,2,3,4	+Vout												
5,6	COM												
7,8	+Vin												
9,10	N.C.												
11	R.C.												

- Voltage set point accuracy $\pm 2\%$ (max.)
- Line regulation $\pm 0.5\%$
- Load regulation $\pm 0.5\%$ @ 10~100% load
- Efficiency 97% (typical)
- Short circuit protection Continuous, auto-recovery
- Overload protection 120%~200%, auto-recovery
- Over voltage protection Clamp by TVS Diode
- Working temperature -25~+65°C (refer to derating curve)
- Storage temperature -25~+105°C
- Temp. coefficient $\pm 0.03\%$ / °C(0~50°C)

◆ NID30 Series

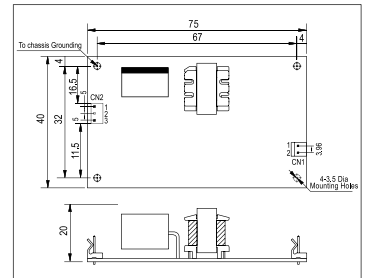
Stock No.	Model No.	Input	Output	R&N	Effi
30701	NID30S24-05	20~53V	5V, 0~2.50A	100mV	91%
30702	NID30S24-12	20~53V	12V, 0~2.50A	120mV	96%
30703	NID30S24-15	20~53V	15V, 0~2.00A	150mV	96%
30704	NID30S48-24	30~53V	24V, 0~1.25A	200mV	93%

◆ NID60 Series

Stock No.	Model No.	Input	Output	R&N	Effi
30711	NID60S24-05	20~53V	5V, 0~4.0A	100mV	90%
30712	NID60S24-12	20~53V	12V, 0~4.0A	120mV	96%
30713	NID60S24-15	20~53V	15V, 0~4.0A	150mV	97%
30714	NID60S48-24	30~53V	24V, 0~2.5A	200mV	95%

5W Single Output DC-DC Converter

- 2:1 wide input range
- 2000VAC I/O isolation
- Protections: Short circuit / Overload / Over voltage / Over temp.
- Built-in EMI filter, low ripple noise
- 100% full load burn-in test
- Low cost, high reliability
- 2 years warranty

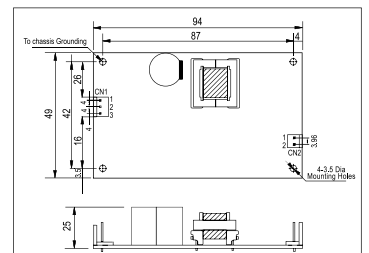
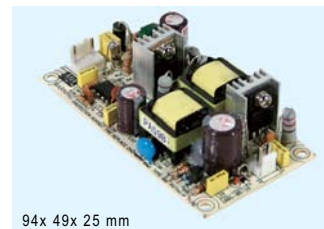


- Line and load regulation $\pm 1.0\%$ (max.)
- Overload protection >105% fold back current limiting, auto-recovery
- Over voltage protection 115% ~ 135% rated output voltage
- Withstand voltage I/P-O/P: 2kVAC, I/P-FG: 1.5kVAC, 1 minute
- Isolation resistance 100MΩ(min.) @500VDC
- Working temperature -10°C to +60°C (refer to output derating curve)
- Safety standards Meet LVD
- EMC standards EN55022 class B, EN61000-4-2,3,4,6,8, ENV50204
- Connection 3P, 2P / 3.96mm pitch, Molex 5285-03, 5273-02
- Packing 0.05kg ; 120pcs / 6.25kg / 1.0CUFT

Stock No.	Model No.	Input	Output	R&N	Effi.
32121	PSD-05-5	36~72V	5V, 0~1.0A	50mV	75%
32122	PSD-05-12	36~72V	12V, 0~0.45A	100mV	78%
32123	PSD-05-24	36~72V	24V, 0~0.22A	150mV	78%

15W Single Output DC-DC Converter

- 2:1 wide input range
- 2000VAC I/O isolation
- Protections: Short circuit / Overload / Over voltage / Over temp.
- Built-in EMI filter, low ripple noise
- 100% full load burn-in test
- Low cost, high reliability
- 2 years warranty



- Line and load regulation $\pm 1.0\%$ (max.)
- Overload protection 105%~150% hiccup mode, auto-recovery
- Over voltage protection 115%~135% rated output voltage
- Withstand voltage I/P-O/P: 2kVAC, I/P-FG: 1.5kVAC, 1 minute
- Isolation resistance 100MΩ(min.) @500VDC
- Working temperature -10°C to +60°C (refer to output derating curve)
- Safety standards Meet LVD
- EMC standards EN55022 class B, EN61000-4-2,3,4,6,8, ENV50204
- Connection 3P, 2P / 3.96mm pitch, JST B3P/B2P-VH
- Packing 0.081kg ; 120pcs / 10.72kg

Stock No.	Model No.	Input	Output	R&N	Effi.
32111	PSD-15A-5	9.2~18V	5V, 0~3.0A	50mV	74%
32112	PSD-15A-12	9.2~18V	12V, 0~1.25A	100mV	67%
32113	PSD-15A-24	9.2~18V	24V, 0~0.6A	100mV	72%
32114	PSD-15B-5	18~36V	5V, 0~3.0A	50mV	78%
32115	PSD-15B-12	18~36V	12V, 0~1.25A	100mV	78%
32116	PSD-15B-24	18~36V	24V, 0~0.6A	100mV	78%
32117	PSD-15C-5	36~72V	5V, 0~3.0A	50mV	78%
32118	PSD-15C-12	36~72V	12V, 0~1.25A	100mV	78%
32119	PSD-15C-24	36~72V	24V, 0~0.6A	100mV	79%

45W Single Output DC-DC Converter



- 2:1 wide input range
- Protections: Short circuit / Overload / Over voltage / Reverse polarity
- Cooling by free air convection
- Built-in EMI filter, low ripple noise
- 100% full load burn-in test
- Fixed switching frequency at 96kHz
- Low cost
- 2 years warranty

DC adjustment range 5V: 4.5~5.5V, 12V: 10.8~13.2V, 24V: 21.6~26.4V

Line and load regulation ±1% (max.)

Overload protection 105%~160% shut down, re-power on to recover

Over voltage protection 115%~135% rated output voltage

Withstand voltage I/P-O/P: 1.5kVAC, I/P-FG: 1.5kVAC, 1 minute

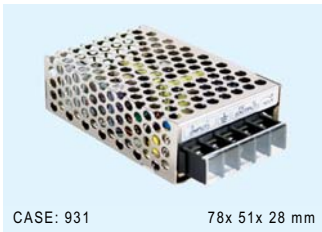
Working temperature -10~60°C (refer to output derating curve)

EMC standards EN55022 class B, EN61000-4-2,3,4,6,8, EN55024

Packing 0.019kg ; 72pcs / 15.6kg / 1.35CUFT

Stock No.	Model No.	Input	Output	R&N	Effi.
32151	PSD-45A-05	9.2~18V	5V, 0~6.0A	100mV	72%
32152	PSD-45A-12	9.2~18V	12V, 0~2.5A	120mV	75%
32153	PSD-45A-24	9.2~18V	24V, 0~1.25A	150mV	77%
32154	PSD-45B-05	18~36V	5V, 0~9.0A	100mV	77%
32155	PSD-45B-12	18~36V	12V, 0~3.75A	120mV	79%
32156	PSD-45B-24	18~36V	24V, 0~1.875A	150mV	83%
32157	PSD-45C-05	37~72V	5V, 0~9.0A	100mV	79%
32158	PSD-45C-12	37~72V	12V, 0~3.75A	120mV	80%
32159	PSD-45C-24	37~72V	24V, 0~1.875A	150mV	83%

15W Single Output DC-DC Converter



- 2:1 wide input range
- 2000VAC I/O isolation
- Cooling by free air convection
- Protections: Short circuit / Over load / Over voltage
- Built-in EMI filter, low ripple noise
- 100% full load burn-in test
- Low cost, high reliability
- 2 years warranty

DC adjustment range 5V: 4.75~5.5V, 12V: 10.8~13.2V, 24V: 21.6~26.4V

Line and load regulation ±0.5% (max.)

Overload protection 105%~160% hiccup mode, auto-recovery

Over voltage protection 115%~135% rated output voltage

Withstand voltage I/P-O/P: 2kVAC, I/P-FG: 1.5kVAC, 1 minute

Working temperature 0~40°C@100%, -10°C@80%, 60°C@60% load

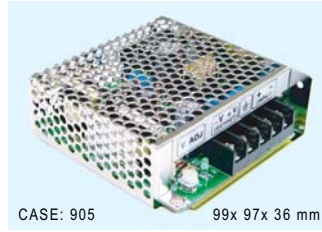
Safety standard Meet LVD

EMC standards EN55022 class B, EN61000-4-2,3,4,6,8, ENV50204

Packing 0.18kg ; 60pcs / 11.8kg

Stock No.	Model No.	Input	Output	R&N	Effi.
32011	SD-15A-5	9.2~18V	5V, 0~3.0A	100mV	68%
32012	SD-15A-12	9.2~18V	12V, 0~1.25A	120mV	72%
32013	SD-15A-24	9.2~18V	24V, 0~0.625A	150mV	70%
32014	SD-15B-5	18~36V	5V, 0~3.0A	100mV	76%
32015	SD-15B-12	18~36V	12V, 0~1.25A	120mV	76%
32016	SD-15B-24	18~36V	24V, 0~0.625A	150mV	77%
32017	SD-15C-5	36~72V	5V, 0~3.0A	100mV	75%
32018	SD-15C-12	36~72V	12V, 0~1.25A	120mV	79%
32019	SD-15C-24	36~72V	24V, 0~0.625A	150mV	78%

25W Single Output DC-DC Converter



- 2:1 wide input range
- 1500VAC I/O isolation
- Protections: Short circuit / Overload / Over voltage
- Built-in EMI filter, low ripple noise
- 100% full load burn-in test
- Low cost, high reliability
- 2 years warranty

DC adjustment range 5V: 4.5~5.5V, 12V: 11~16V, 24V: 23~30V

Line and load regulation ±0.5% (max.)

Overload protection 105%~150% fold back current limiting, auto-recovery

Over voltage protection 115%~165% rated output voltage

Withstand voltage I/P-O/P: 2kVAC, I/P-FG: 1.5kVAC, 1 minute

Isolation resistance 100MΩ (min.) @500VDC

Working temperature -10°C to +60°C (refer to output derating curve)

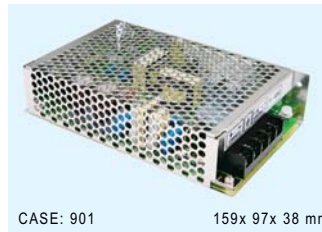
Safety standards Meet LVD

EMC standards EN55022 class B, EN61000-4-2,3,4,6,8, ENV50204

Packing 0.38kg ; 45pcs / 17.8kg / 0.9CUFT

Stock No.	Model No.	Input	Output	R&N	Effi.
32001	SD-25A-5	9.2~18V	5V, 0~5.0A	100mV	71%
32002	SD-25A-12	9.2~18V	12V, 0~2.1A	120mV	72%
32003	SD-25A-24	9.2~18V	24V, 0~1.1A	150mV	75%
32004	SD-25B-5	19~36V	5V, 0~5.0A	100mV	72%
32005	SD-25B-12	19~36V	12V, 0~2.1A	120mV	75%
32006	SD-25B-24	19~36V	24V, 0~1.1A	150mV	78%
32007	SD-25C-5	36~72V	5V, 0~5.0A	100mV	74%
32008	SD-25C-12	36~72V	12V, 0~2.1A	120mV	78%
32009	SD-25C-24	36~72V	24V, 0~1.1A	150mV	81%

50W Single Output DC-DC Converter



- 2:1 wide input range
- 1500VAC I/O isolation
- Protections: Short circuit / Over load / Over voltage
- Built-in EMI filter, low ripple noise
- Cooling by free air convection
- 100% full load burn-in test
- Low cost, high reliability
- 2 years warranty

DC adjustment range 5V: 4.5~5.5V, 12V: 11~16V, 24V: 23~30V

Line and load regulation ±0.5% (max.)

Overload protection 105%~150% fold back current limiting, auto-recovery

Over voltage protection 115%~165% rated output voltage

Withstand voltage I/P-O/P: 1.5kVAC, I/P-FG: 1.5kVAC, 1 minute

Isolation resistance 100MΩ (min.) @500VDC

Working temperature -10°C to +60°C (refer to output derating curve)

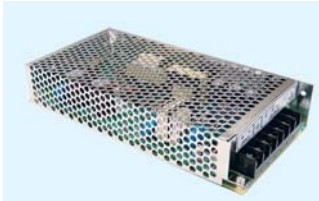
Safety standard Meet LVD

EMC standards EN55022 class B, EN61000-4-2,3,4,6,8, ENV50204

Packing 0.53kg ; 24pcs / 12.7kg / 0.75CUFT

Stock No.	Model No.	Input	Output	R&N	Effi.
32021	SD-50A-5	9.2~18V	5V, 0~10A	100mV	70%
32022	SD-50A-12	9.2~18V	12V, 0~4.2A	120mV	72%
32023	SD-50A-24	9.2~18V	24V, 0~2.1A	150mV	74%
32024	SD-50B-5	19~36V	5V, 0~10A	100mV	73%
32025	SD-50B-12	19~36V	12V, 0~4.2A	120mV	75%
32026	SD-50B-24	19~36V	24V, 0~2.1A	150mV	80%
32027	SD-50C-5	36~72V	5V, 0~10A	100mV	76%
32028	SD-50C-12	36~72V	12V, 0~4.2A	120mV	78%
32029	SD-50C-24	36~72V	24V, 0~2.1A	150mV	83%

100W Single Output DC-DC Converter



CASE: 902 199x 98x 38 mm

- 2:1 wide input range
- 1500VAC I/O isolation
- Protections: Short circuit / Overload / Over voltage
- Built-in EMI filter, low ripple noise
- 100% full load burn-in test
- Low cost, high reliability
- 2 years warranty

DC adjustment range 5V: 4.5~5.5V, 12V: 11~16V, 24V: 23~30V
 Line regulation $\pm 0.5\%$ (max.)
 Load regulation $\pm 0.5\%$ (max.)
 Overload protection 105%~135% fold back current limiting, auto-recovery
 Over voltage protection 115%~165% rated output voltage
 Withstand voltage I/P-O/P: 1.5kVAC, I/P-FG: 1.5kVAC, 1 minute
 Isolation resistance 100M Ω (min.) @500VDC
 Working temperature -10°C to +60°C (refer to output derating curve)
 Safety standards Meet LVD, EN60950-1 CB approved by TUV (D type only)
 EMC standards EN55022 class B, EN61000-4-2,3,4,6,8, ENV50204
 Packing 0.65kg ; 20pcs / 13.8kg / 0.8CUFT

Stock No.	Model No.	Input	Output	R&N	Effi.
32041	SD-100B-5	19~36V	5V, 0~20A	100mV	74%
32042	SD-100B-12	19~36V	12V, 0~8.5A	120mV	75%
32043	SD-100B-24	19~36V	24V, 0~4.2A	150mV	78%
32044	SD-100C-5	36~72V	5V, 0~20A	100mV	75%
32045	SD-100C-12	36~72V	12V, 0~8.5A	120mV	77%
32046	SD-100C-24	36~72V	24V, 0~4.2A	150mV	81%
32047	SD-100D-5	72~144V	5V, 0~20A	100mV	76%
32048	SD-100D-12	72~144V	12V, 0~8.5A	120mV	80%
32049	SD-100D-24	72~144V	24V, 0~4.2A	150mV	83%

150W Single Output DC-DC Converter



CASE: 906 199x 110x 50 mm

- 2:1 wide input range
- 1500VAC I/O isolation
- Protections: Short circuit / Over load / Over voltage
- Built-in EMI filter, low ripple noise
- Cooling by free air convection
- 100% full load burn-in test
- Low cost, high reliability
- 2 years warranty

DC adjustment range 12V: 11~16V, 24V: 23~30V
 Line regulation $\pm 0.5\%$ (max.)
 Load regulation $\pm 0.5\%$ (max.)
 Overload protection 105%~135% fold back current limiting, auto-recovery
 Over voltage protection 130%~165% rated output voltage
 Withstand voltage I/P-O/P: 1.5kVAC, I/P-FG: 1.5kVAC, 1 minute
 Isolation resistance 100M Ω (min.) @500VDC
 Working temperature -10°C ~ +60°C (refer to output derating curve)
 Safety standards Meet LVD, EN60950-1 CB approved by TUV (D type only)
 EMC standards EN55022 class B, EN61000-4-2,3,4,6,8, ENV50204
 Packing 0.86kg ; 16pcs / 14.5kg / 0.95CUFT

Stock No.	Model No.	Input	Output	R&N	Effi.
32061	SD-150B-12	19~36V	12V, 0~12.5A	120mV	75%
32062	SD-150B-24	19~36V	24V, 0~6.3A	150mV	77%
32063	SD-150C-12	36~72V	12V, 0~12.5A	120mV	77%
32064	SD-150C-24	36~72V	24V, 0~6.3A	150mV	80%
32065	SD-150D-12	72~144V	12V, 0~12.5A	120mV	79%
32066	SD-150D-24	72~144V	24V, 0~6.3A	150mV	82%

200W Single Output DC-DC Converter



CASE: 912B 215x 115x 50 mm

- 2:1 wide input range
- 1500VAC I/O isolation
- Protections: Short circuit / Overload / Over voltage / Over temp.
- Cooling by free air convection
- 100% full load burn-in test
- 2 years warranty

DC adjustment range 5V: 4.5~5.5V, 12V: 11~16V, 24V: 23~30V, 48V: 43~53V
 Voltage tolerance $\pm 2\%$ (max.)
 Overload protection 105%~135% shut off, re-power on to recover
 Over voltage protection 110%~167% rated output voltage
 Withstand voltage I/P-O/P: 1.5kVAC, I/P-FG: 1.5kVAC, 1 minute
 Working temperature -20°C to +60°C (refer to output derating curve)
 Safety standards Meet LVD, EN60950-1 CB approved by TUV (D type only)
 EMC standards EN55022 class B, EN61000-4-2,3,4,6,8, ENV50204
 Packing 1.1kg ; 12pcs / 14.4kg / 0.92CUFT

Stock No.	Model No.	Input	Output	R&N	Effi.
32071	SD-200B-5	19~36V	5V, 0~34.0A	100mV	79%
32072	SD-200B-12	19~36V	12V, 0~16.7A	120mV	82%
32073	SD-200B-24	19~36V	24V, 0~8.40A	150mV	85%
32074	SD-200B-48	19~36V	48V, 0~4.20A	200mV	86%
32075	SD-200C-5	36~72V	5V, 0~40.0A	100mV	81%
32076	SD-200C-12	36~72V	12V, 0~16.7A	120mV	84%
32077	SD-200C-24	36~72V	24V, 0~8.40A	150mV	86%
32078	SD-200C-48	36~72V	48V, 0~4.20A	200mV	86%
32079	SD-200D-5	72~144V	5V, 0~40.0A	100mV	82%
32080	SD-200D-12	72~144V	12V, 0~16.7A	120mV	82%
32081	SD-200D-24	72~144V	24V, 0~8.40A	150mV	84%
32082	SD-200D-48	72~144V	48V, 0~4.20A	200mV	90%

350W Single Output DC-DC Converter



CASE: 912A 215x 115x 50 mm

- 2:1 wide input range
- 1500VAC I/O isolation
- Protections: Short circuit / Over load / Over voltage / Over temp.
- Forced air cooling by built-in DC fan
- 100% full load burn-in test
- 2 years warranty

DC adjustment range 5V: 4.5~5.5V, 12V: 11~16V, 24V: 23~30V, 48V: 43~53V
 Voltage tolerance $\pm 2\%$ (max.)
 Overload protection 105%~135% shut off, re-power on to recover
 Over voltage protection 110%~167% rated output voltage
 Withstand voltage I/P-O/P: 1.5kVAC, I/P-FG: 1.5kVAC, 1 minute
 Working temperature -20°C ~ +60°C (refer to output derating curve)
 Safety standards Meet LVD, EN60950-1 CB approved by TUV (D type only)
 EMC standards EN55022 class B, EN61000-4-2,3,4,6,8, ENV50204
 Packing 1.1kg ; 12pcs / 14.4kg / 0.92CUFT

Stock No.	Model No.	Input	Output	R&N	Effi.
32091	SD-350B-5	19~36V	5V, 0~57.0A	100mV	74%
32092	SD-350B-12	19~36V	12V, 0~27.5A	120mV	80%
32093	SD-350B-24	19~36V	24V, 0~14.6A	150mV	80%
32094	SD-350B-48	19~36V	48V, 0~7.30A	200mV	84%
32095	SD-350C-5	36~72V	5V, 0~60.0A	100mV	76%
32096	SD-350C-12	36~72V	12V, 0~27.5A	120mV	81%
32097	SD-350C-24	36~72V	24V, 0~14.6A	150mV	81%
32098	SD-350C-48	36~72V	48V, 0~7.30A	200mV	82%
32099	SD-350D-5	72~144V	5V, 0~60.0A	100mV	78%
32100	SD-350D-12	72~144V	12V, 0~29.2A	120mV	83%
32101	SD-350D-24	72~144V	24V, 0~14.6A	150mV	87%
32102	SD-350D-48	72~144V	48V, 0~7.30A	200mV	89%

500W Single Output DC-DC Converter

CBC E



CASE: 912A 215x 115x 50 mm

- 4:1 & 2:1 DC input range
- DC input active surge current limiting
- Protections: Short circuit / Overload / Over voltage / Over temp. / Input polarity
- 2000VAC I/O Isolation
- Forced air cooling by built-in DC fan with fan speed control function
- Output OK signal
- Built-in remote ON-OFF control
- Built-in remote sense function
- 3 years warranty

DC adjustment range 12V: 11~15V, 24V: 23~30V, 48V: 46~60V
 Line regulation ±0.5% (max.)
 Load regulation ±0.5% (max.)
 Overload protection 105%~125% constant current limiting, shut off after 5 sec., AC recycle to re-start
 Over voltage protection 130%~160% rated output voltage
 Withstand voltage I/P-O/P: 2kV, I/P-FG: 1.5kV, 1 minute
 Isolation resistance 100MΩ (min.) @500VDC
 Working temperature -20°C ~ +60°C (refer to output derating curve)
 Safety standards IEC60950-1 CB approved by TUV
 EMC standards EN55022 class B, EN61000-4-2,3,4,6,8, ENV50204
 Packing 1.15kg ; 12pcs / 14.8kg / 0.92CUFT

Stock No.	Model No.	Input	Output	R&N	Effi.
32141	SD-500L-12	19~72V	12V, 0~40A	150mV	86%
32142	SD-500L-24	19~72V	24V, 0~21A	150mV	88%
32143	SD-500L-48	19~72V	48V, 0~10.5A	150mV	89%
32144	SD-500H-12	72~144V	12V, 0~40A	150mV	87%
32145	SD-500H-24	72~144V	24V, 0~21A	150mV	89%
32146	SD-500H-48	72~144V	48V, 0~10.5A	150mV	90%

1000W Single Output DC-DC Converter

CBC E



CASE: 952B 295x 127x 41 mm

- 4:1 & 2:1 wide input range
- 2000VAC I/O Isolation
- Protections: Short circuit / Overload / Over voltage / Over temp.
- Forced air cooling by built-in DC fan
- High power density 10.7W/inch³
- 1U low profile 41mm
- Output OK signal
- 12V / 0.25A auxiliary output
- Built-in remote ON/OFF control
- Built-in remote sense function
- 3 years warranty

DC adjustment range 12V: 11~15V, 24V: 23~30V, 48V: 46~60V
 Line regulation ±0.5% (max.)
 Load regulation ±0.5% (max.)
 Overload protection 105%~125% constant current limiting, shut off after 5 sec., AC recycle to re-start
 Over voltage protection 101%~167% rated output voltage
 Withstand voltage I/P-O/P: 2kV, I/P-FG: 1.5kV, 1 minute
 Isolation resistance 100MΩ (min.) @500VDC
 Working temperature -20°C ~ +70°C (refer to output derating curve)
 Safety standards IEC60950-1 CB approved by TUV
 EMC standards EN55022 class B, EN61000-4-2,3,4,6,8, ENV50204
 Packing 1.95kg ; 6pcs / 12.7kg / 0.99CUFT

Stock No.	Model No.	Input	Output	R&N	Effi.
32131	SD-1000L-12	19~72V	12V, 0~60A	150mV	84%
32132	SD-1000L-24	19~72V	24V, 0~40A	150mV	88%
32133	SD-1000L-48	19~72V	48V, 0~21A	150mV	90%
32134	SD-1000H-12	72~144V	12V, 0~60A	150mV	85%
32135	SD-1000H-24	72~144V	24V, 0~40A	150mV	89%
32136	SD-1000H-48	72~144V	48V, 0~21A	150mV	92%

❖ For DC/DC converters, derating may be needed under low input voltage, please check the specification sheet for details.

PFC-G5 Series HRP-75/100/200/450

Under Development

75W/100W/200W/450W
High Reliability
Single Output



- Universal AC input / Full range
- Withstand 300VAC surge input for 5 seconds
- Built-in active PFC function, PF > 0.95
- High efficiency, long life and high reliability
- Working temperature: -30°C ~ 70°C
- Cooling by free air convection (75W/100W/200W)
- Forced air cooling by built in DC fan (450W only)
- Built-in constant current limiting circuit
- Built-in remote sense function
- 1U low profile design
- Miniature size, high power density
- Protections: Short circuit / Overload / Over voltage / Over temperature
- No load power consumption <0.5W (HRPG series only)
- Built-in remote ON/OFF control & 5V / 0.3A standby (HRPG series only)
- Built-in DC OK signal (HRPG-450 only)
- DC output models: 3.3V / 5V / 7.5V / 12V
15V / 24V / 36V / 48V
- Dimension(LxWxH)(mm):
75W-129x 98x 38
100W-159x 97x 38
200W-199x 98x 38
450W-218x 105x 41
- 5 years warranty



48hrs delivery—

We keep enough stock for 95% of standard models at our 2400m² warehouse. We can arrange prompt delivery within 48hrs.



Features

- High frequency design
- Input protections: Reverse polarity / Over and under voltage / Battery low alarm and shutdown
- Output protections: Short circuit / Overload / Over temp.
- With power ON/OFF switch and LED indicator
- Built-in remote ON/OFF control for 1000~2500W (option)
- Built-in USB interface and without fan for 100W
- Built-in charging function for 600~1500W (option)
- Input and output fully isolation
- Low power consumption (standby)
- LVD meet EN60950-1 and e13 mark
- EMC meet EN61000-4-2,3, EN55022
- 1 year warranty

Output Socket (option)

			◀Please consult Mean Well for other kinds of optional output socket.
TYPE-2	TYPE-3	TYPE-4	
USA	EUROPE	UNIVERSAL	

General Specification (Please refer to www.meanwell.com for detail spec.)



Order No.	A301	A302
DC input rated voltage	12.5V	25.0V
AC output voltage / Frequency	110VAC(rms) / 60Hz or 230VAC(rms) / 50Hz	
Max. output power	100W, 150W, 300W, 600W, 1000W, 1500W, 2500W	
USB output power	5Vdc / 500mA (100W only)	
AC output regulation	±10% rated output voltage	
Bat. low alarm	10±0.5V	20.5±1.0V
Bat. low shut down	9.5±0.5V	19.5±1.0V
I/P over voltage protection	15~17V	30~32V
Working temperature	0~30°C (0~25°C for 2500W)	
LVD	Compliance to EN60950-1	
EMC	Compliance to EN55014-1, EN61000-3-2,3, EN61000-4-2,4,5,6,11	

100W



Order No.	Continue power	Input VDC	Output VAC / Hz	Output socket	Effi.
A301-100-F3	100W	10-15	230 / 50	TYPE-3	90%
A302-100-F3	100W	21-30	230 / 50	TYPE-3	90%

150W

Order No.	Continue power	Input VDC	Output VAC / Hz	Output socket	Effi.
A301-150-B2	150W	10-15	110 / 60	TYPE-2	78%
A301-150-F3	150W	10-15	230 / 50	TYPE-3	78%
A302-150-B2	150W	21-30	110 / 60	TYPE-2	82%
A302-150-F3	150W	21-30	230 / 50	TYPE-3	82%

300W

Order No.	Continue power	Input VDC	Output VAC / Hz	Output socket	Effi.
A301-300-B2	300W	10-15	110 / 60	TYPE-2	82%
A301-300-F3	300W	10-15	230 / 50	TYPE-3	82%
A302-300-B2	300W	21-30	110 / 60	TYPE-2	85%
A302-300-F3	300W	21-30	230 / 50	TYPE-3	85%

600W

Order No.	Continue power	Input VDC	Output VAC / Hz	Output socket	Effi.
A301-600-B2	600W	10-15	110 / 60	TYPE-2	82%
A301-600-F3	600W	10-15	230 / 50	TYPE-3	82%
A302-600-B2	600W	21-30	110 / 60	TYPE-2	85%
A302-600-F3	600W	21-30	230 / 50	TYPE-3	85%

1000W

Order No.	Continue power	Input VDC	Output VAC / Hz	Output socket	Effi.
A301-1K0-B2	1000W	10-15	110 / 60	TYPE-2	82%
A301-1K0-F3	1000W	10-15	230 / 50	TYPE-3	82%
A302-1K0-B2	1000W	21-30	110 / 60	TYPE-2	85%
A302-1K0-F3	1000W	21-30	230 / 50	TYPE-3	85%

1500W

Order No.	Continue power	Input VDC	Output VAC / Hz	Output socket	Effi.
A301-1K7-B2	1500W	10-15	110 / 60	TYPE-2	82%
A301-1K7-F3	1500W	10-15	230 / 50	TYPE-3	82%
A302-1K7-B2	1500W	21-30	110 / 60	TYPE-2	85%
A302-1K7-F3	1500W	21-30	230 / 50	TYPE-3	85%

2500W

Order No.	Continue power	Input VDC	Output VAC / Hz	Output socket	Effi.
A301-2K5-B4	2500W	10-15	110 / 60	TYPE-2	82%
A301-2K5-F3	2500W	10-15	230 / 50	TYPE-3	82%
A302-2K5-B4	2500W	21-30	110 / 60	TYPE-2	85%
A302-2K5-F3	2500W	21-30	230 / 50	TYPE-3	85%



▲ **TS-200** 205x 158x 59 mm

▲ **TS-400** 205x 158x 67 mm

▲ **TS-700** 295x 184x 70 mm

Features

- True sine wave output (THD<3%)
- **2 times high surge power for motor related application**
- Advanced digital control by microprocessor
- Output voltage / frequency adjustable
- High efficiency up to 91%
- Standby saving mode to conserve energy (TS-700)
- Built-in fan ON/OFF control function (TS-400/700)
- Fanless design, cooling by free air convection (TS-200)
- Front panel indicator for load / battery / operation status
- High frequency design
- Input protections:
Bat. low alarm / Bat. low shutdown / reverse polarity / over voltage
- Output protections:
Short circuit / Overload / Over temperature
- Applications:
Home appliance, power tools, office and portable equipment, vehicle and yacht...etc.
- 2 years warranty

General Specification (Please refer to www.meanwell.com for detail spec.)



Model No.	TS-200	TS-400	TS-700
Rated output power(typ.)	200W	400W	700W
Maximum output power	230W for 3 minutes; 300W for 10 sec.	460W for 3 minutes; 600W for 10 sec.	800W for 3 minutes; 1050W for 10 sec.
Output surge rating (30 cycles.)	400W	800W	1400W
DC input rated voltage	12VDC, 24VDC or 48VDC		
AC output voltage	100 / 110 / 115 / 120VAC; 200 / 220 / 230 / 240VAC selectable by setting button		
Output frequency	50Hz / 60Hz selectable by setting button		
AC output waveform	True sine wave, THD<3.0%		
AC output regulation	±3% of rated output voltage		
No load dissipation	-----		< 6W @ standby saving mode
Working temperature	-10 ~ +40°C @ 100% load, 60°C @ 50% load		0 ~ +40°C @ 100% load, 60°C @ 50% load
Safety standards	110V	design refer to UL458	
	230V	Compliance to EN60950-1	
EMC standards	110V	Compliance to FCC class A	
	230V	Compliance to EN55022 class A, E-Mark, EN61000-4-2,3,8, ENV50204	

200W

Model No.	Continue power	Input VDC	Output VAC / Hz	Output socket	Effi.
TS-200-112[A]	200W	10.5-15	110 / 60	TYPE-A	84%
TS-200-124[A]	200W	21.0-30	110 / 60	TYPE-A	86%
TS-200-148[A]	200W	42.0-60	110 / 60	TYPE-A	88%
TS-200-212[B]	200W	10.5-15	230 / 50	TYPE-B	85%
TS-200-224[B]	200W	21.0-30	230 / 50	TYPE-B	87%
TS-200-248[B]	200W	42.0-60	230 / 50	TYPE-B	90%

□ = A, B (standard models), C, D, E or F (optional models)

400W

Model No.	Continue power	Input VDC	Output VAC / Hz	Output socket	Effi.
TS-400-112[A]	400W	10.5-15	110 / 60	TYPE-A	84%
TS-400-124[A]	400W	21.0-30	110 / 60	TYPE-A	86%
TS-400-148[A]	400W	42.0-60	110 / 60	TYPE-A	88%
TS-400-212[B]	400W	10.5-15	230 / 50	TYPE-B	85%
TS-400-224[B]	400W	21.0-30	230 / 50	TYPE-B	87%
TS-400-248[B]	400W	42.0-60	230 / 50	TYPE-B	90%

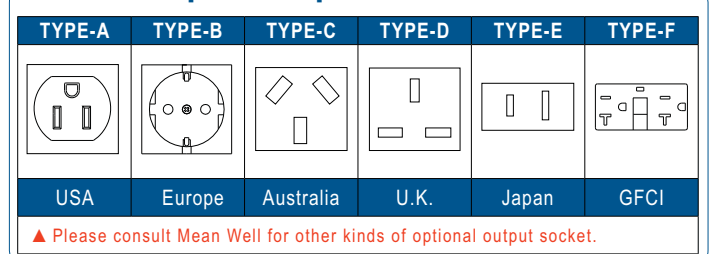
□ = A, B (standard models), C, D, E or F (optional models)

700W

Model No.	Continue power	Input VDC	Output VAC / Hz	Output socket	Effi.
TS-700-112[A]	700W	10.5-15	110 / 60	TYPE-A	86%
TS-700-124[A]	700W	21.0-30	110 / 60	TYPE-A	88%
TS-700-148[A]	700W	42.0-60	110 / 60	TYPE-A	89%
TS-700-212[B]	700W	10.5-15	230 / 50	TYPE-B	89%
TS-700-224[B]	700W	21.0-30	230 / 50	TYPE-B	90%
TS-700-248[B]	700W	42.0-60	230 / 50	TYPE-B	91%

□ = A, B (standard models), C, D, E or F (optional models)

AC Output Receptacles (option)





▲ **TS-1000** 345x 184x 70 mm

▲ **TS-1500** 420x 220x 88 mm

▲ **TS-3000** 474x 283x 98 mm

Features

- True sine wave output (THD<3%)
- 2 times high surge power for motor related application
- Advanced digital control by microprocessor
- High efficiency up to 93%
- Standby saving mode to conserve energy
- Built-in fan ON/OFF control function
- Output voltage / frequency adjustable
- Front panel indicator for load / battery / operation status
- High frequency design
- Input protections:
 - Bat. low alarm / Bat. low shutdown / reverse polarity / over voltage
- Output protections:
 - Short circuit / Overload / Over temperature
- Applications:
 - Home appliance, power tools, office and portable equipment, vehicle and yacht...etc.
- 2 years warranty

General Specification (Please refer to www.meanwell.com for detail spec.)

UL us E13 FCC CE (3000W pending)

Model No.	TS-1000	TS-1500	TS-3000 Under Development
Rated output power(typ.)	1000W	1500W	3000W
Maximum output power	1150W for 3 minutes; 1500W for 10 sec.	1725W for 3 minutes ; 2250W for 10 sec.	3450W for 3 minutes ; 4500W for 10 sec.
Output surge rating (30 cycles.)	2000W	3000W	6000W
DC input rated voltage	12VDC, 24VDC or 48VDC		
AC output voltage	100 / 110 / 115 / 120VAC or 200 / 220 / 230 / 240VAC selectable by setting button		
AC waveform	True sine wave, THD<3.0%		
AC regulation	±3% of rated output voltage		
No load dissipation	< 6W @ standby saving mode	≤18W @ standby saving mode	≤7W @ standby saving mode
Working temperature	0 ~ +40°C @ 100% load, 60°C @ 50% load		
Safety standards	110V	Compliance to UL458 (except for 48V and only for GFCI receptacle)	
	230V	Compliance to EN60950-1	
EMC standards	110V	Compliance to FCC class A	
	230V	Compliance to EN55022 class A, E-Mark, EN61000-4-2,3,8, ENV50204	

1000W

Model No.	Continue power	Input VDC	Output VAC / Hz	Output socket	Effi.
TS-1000-112[A]	1000W	10.5-15	110 / 60	TYPE-A	88%
TS-1000-124[A]	1000W	21.0-30	110 / 60	TYPE-A	89%
TS-1000-148[A]	1000W	42.0-60	110 / 60	TYPE-A	90%
TS-1000-212[B]	1000W	10.5-15	230 / 50	TYPE-B	90%
TS-1000-224[B]	1000W	21.0-30	230 / 50	TYPE-B	91%
TS-1000-248[B]	1000W	42.0-60	230 / 50	TYPE-B	92%

□ = A, B (standard models), C, D, E or F (optional models)

3000W

Under development

Model No.	Continue power	Input VDC	Output VAC / Hz	Output socket	Effi.
TS-3000-112[A]	2700W	10.5-15	110 / 60	TYPE-A	87%
TS-3000-124[A]	3000W	21.0-30	110 / 60	TYPE-A	89%
TS-3000-148[A]	3000W	42.0-60	110 / 60	TYPE-A	90%
TS-3000-212[B]	3000W	10.5-15	230 / 50	TYPE-B	88%
TS-3000-224[B]	3000W	21.0-30	230 / 50	TYPE-B	90%
TS-3000-248[B]	3000W	42.0-60	230 / 50	TYPE-B	93%

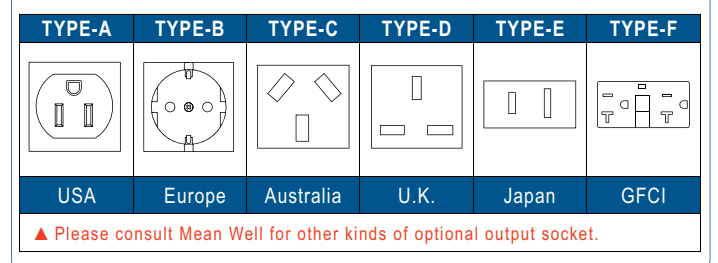
□ = A, B (standard models), C, D, E or F (optional models)

1500W

Model No.	Continue power	Input VDC	Output VAC / Hz	Output socket	Effi.
TS-1500-112[A]	1500W	10.5-15	110 / 60	TYPE-A	87%
TS-1500-124[A]	1500W	21.0-30	110 / 60	TYPE-A	89%
TS-1500-148[A]	1500W	42.0-60	110 / 60	TYPE-A	90%
TS-1500-212[B]	1500W	10.5-15	230 / 50	TYPE-B	88%
TS-1500-224[B]	1500W	21.0-30	230 / 50	TYPE-B	90%
TS-1500-248[B]	1500W	42.0-60	230 / 50	TYPE-B	91%

□ = A, B (standard models), C, D, E or F (optional models)

AC Output Receptacles (option)



DC/AC Inverter 1500~3000W True Sine Wave Solar Inverter



Features

- True sine wave output (THD<3%)
- 2 times high surge power for motor related application
- Advanced digital control by microprocessor
- High efficiency up to 93%
- Standby saving mode to conserve energy
- Built-in fan ON/OFF control function
- Output voltage / frequency adjustable
- Front panel indicator for load / battery / operation status
- High frequency design
- Selectable UPS and energy saving mode
- AC by pass, built-in AC and solar charger
- Fast transfer time under 10ms
- Solar input current up to 30A max.
- Input protections: Bat. low alarm / Bat. low shutdown / reverse polarity / over voltage
- Output protections: Short circuit / Overload / Over temperature / AC circuit breaker
- Optional monitoring software
- Applications: Home appliance, power tools, office and portable equipment, vehicle and yacht...etc.
- 2 years warranty

General Specification (Please refer to www.meanwell.com for detail spec.)



Model No.	TN-1500	TN-3000 Under Development
Rated output power(typ.)	1500W	3000W
Maximum output power	1725W for 3 minutes ; 2250W for 10 seconds	3450W for 3 minutes ; 4500W for 10 seconds
Output surge rating (30 cycles.)	3000W	6000W
DC input rated voltage	12VDC, 24VDC or 48VDC	
AC output voltage	100 / 110 / 115 / 120VAC or 200 / 220 / 230 / 240VAC selectable by setting button	
AC waveform	True sine wave, THD<3.0%	
AC regulation	±3% of rated output voltage	
No load dissipation	≤18W @ standby saving mode	≤7W @ standby saving mode
Transfer time	≤10ms inverter mode ←→ by pass mode	
Working temperature	0 ~ +40°C @ 100% load, 60°C @ 50% load	
Safety standards	110V	Compliance to UL458 (except for 48V and only for GFCI receptacle)
	230V	Compliance to EN60950-1
EMC standards	110V	Compliance to FCC class A
	230V	Compliance to EN55022 class B, E-Mark, EN61000-4-2,3,4,5,6,8,11, ENV50204

1500W (Inverter with AC & Solar Charger)

Model No.	Continue power	Input VDC	Output VAC / Hz	Output socket	Effi.
TN-1500-112[A]	1500W	10.5-15	110 / 60	TYPE-A	87%
TN-1500-124[A]	1500W	21.0-30	110 / 60	TYPE-A	89%
TN-1500-148[A]	1500W	42.0-60	110 / 60	TYPE-A	90%
TN-1500-212[B]	1500W	10.5-15	230 / 50	TYPE-B	88%
TN-1500-224[B]	1500W	21.0-30	230 / 50	TYPE-B	90%
TN-1500-248[B]	1500W	42.0-60	230 / 50	TYPE-B	91%

□ = A, B (standard models), C, D, E or F (optional models)

3000W (Inverter with AC & Solar Charger) Under Development

Model No.	Continue power	Input VDC	Output VAC / Hz	Output socket	Effi.
TN-3000-112[A]	2700W	10.5-15	110 / 60	TYPE-A	87%
TN-3000-124[A]	3000W	21.0-30	110 / 60	TYPE-A	89%
TN-3000-148[A]	3000W	42.0-60	110 / 60	TYPE-A	90%
TN-3000-212[B]	2700W	10.5-15	230 / 50	TYPE-B	88%
TN-3000-224[B]	3000W	21.0-30	230 / 50	TYPE-B	90%
TN-3000-248[B]	3000W	42.0-60	230 / 50	TYPE-B	93%

□ = A, B (standard models), C, D, E or F (optional models)



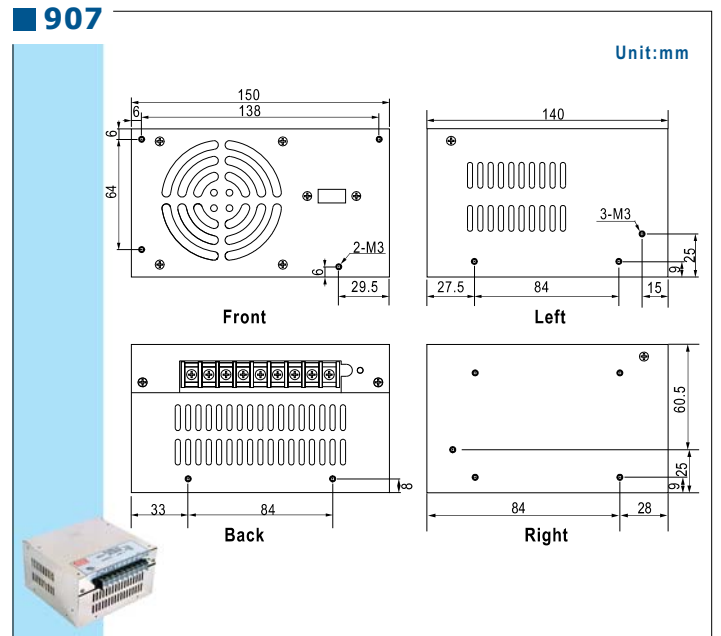
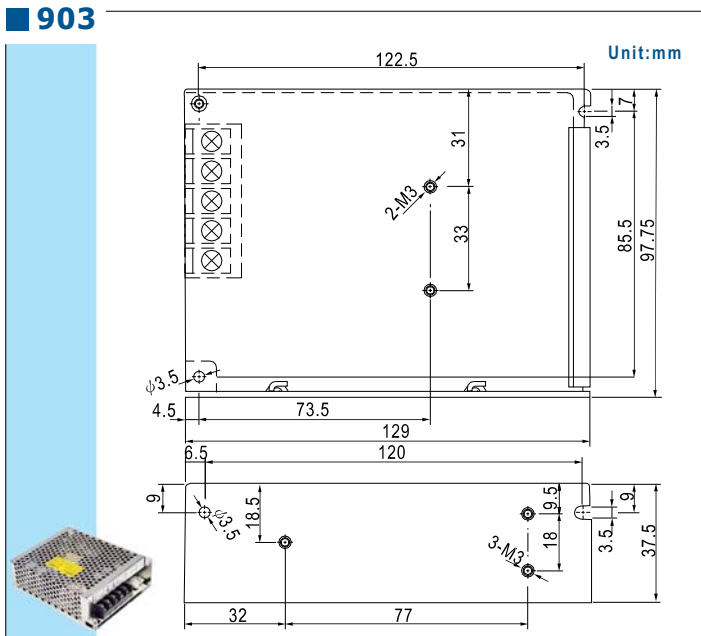
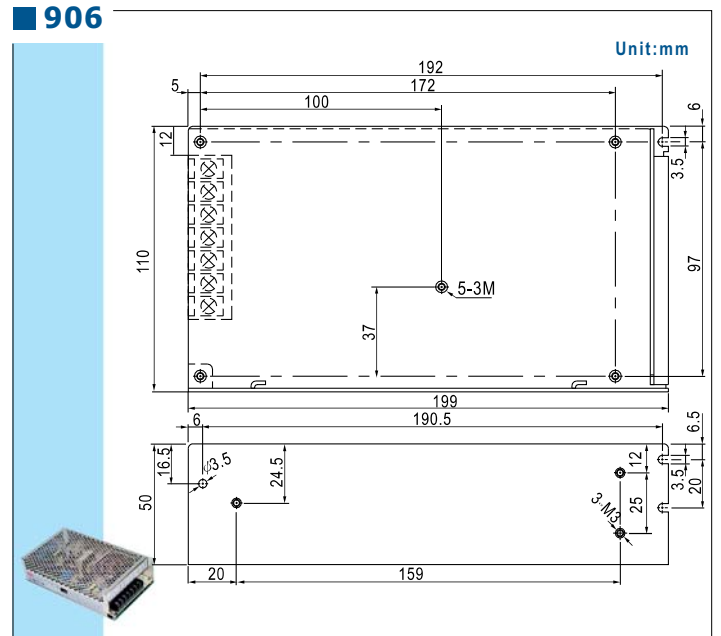
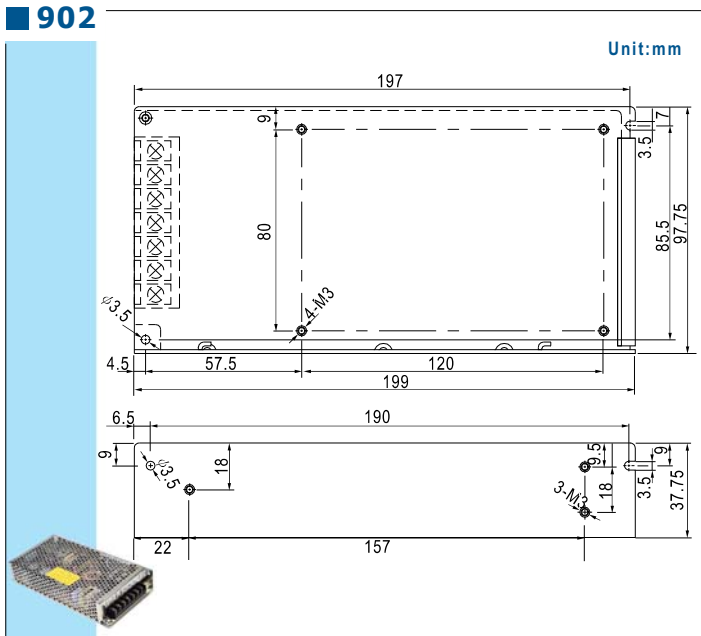
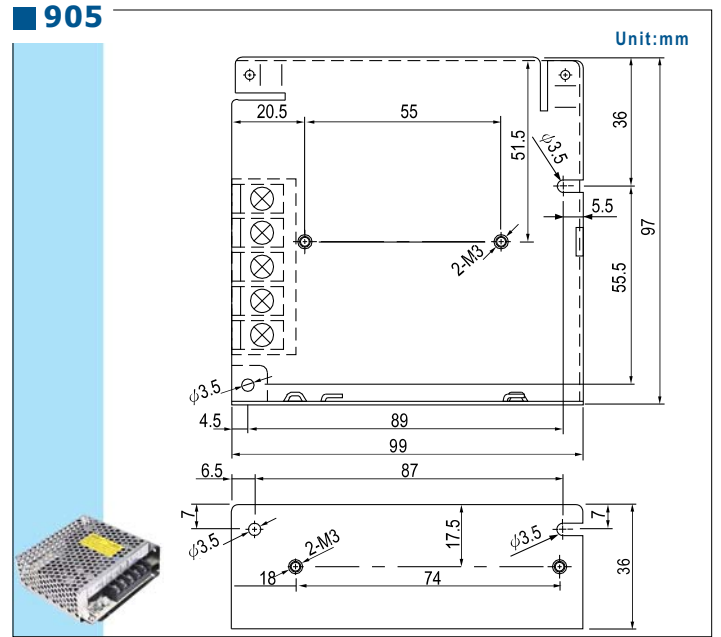
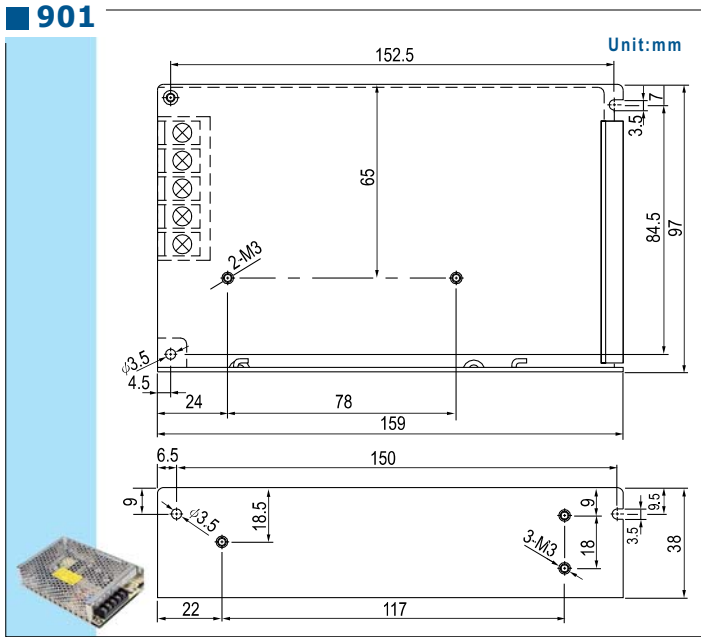
We are a TQM (Total Quality Management) company and ISO-9001 certified since 1994.



Products —

- One Stop Shopping
- Total Solution

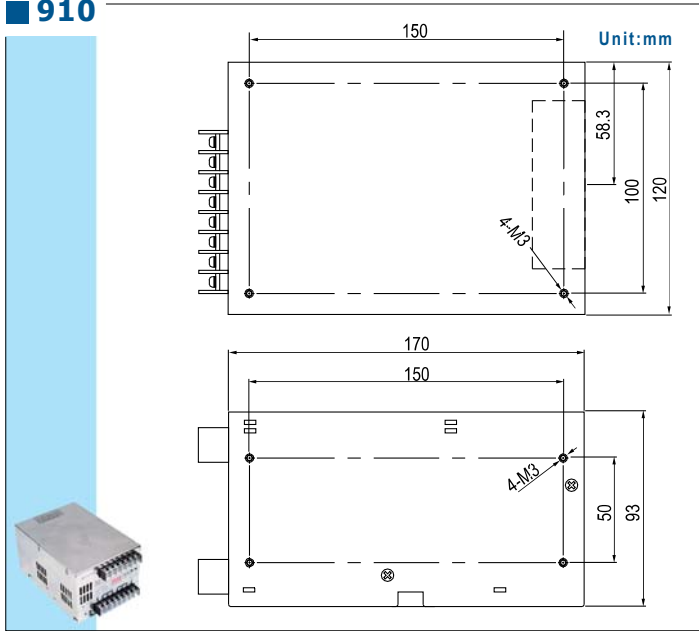
Case Drawing



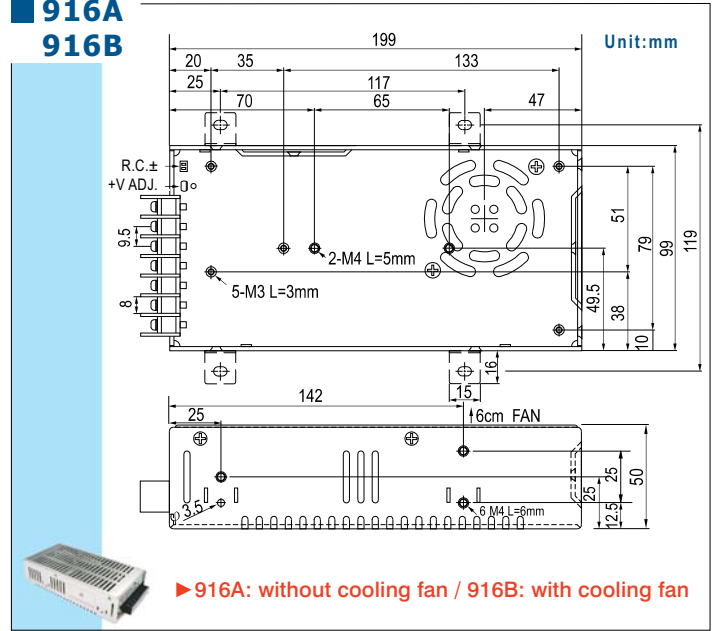
Case Drawing



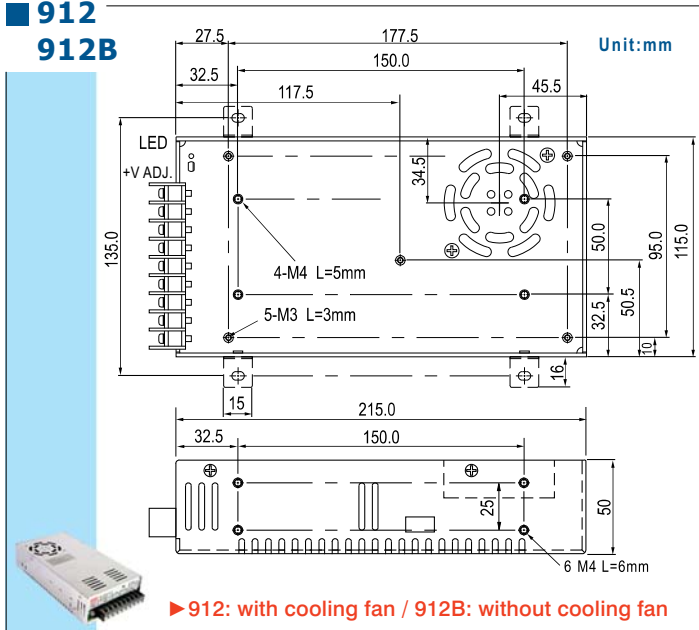
910



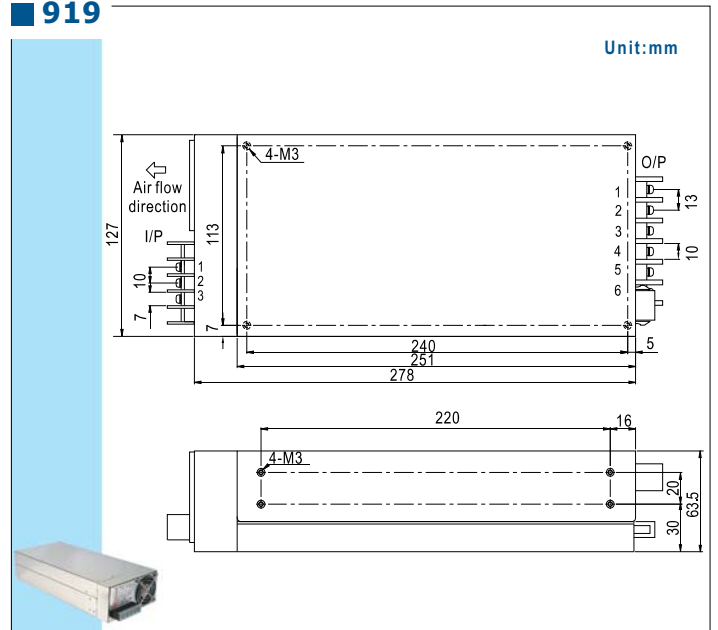
916A 916B



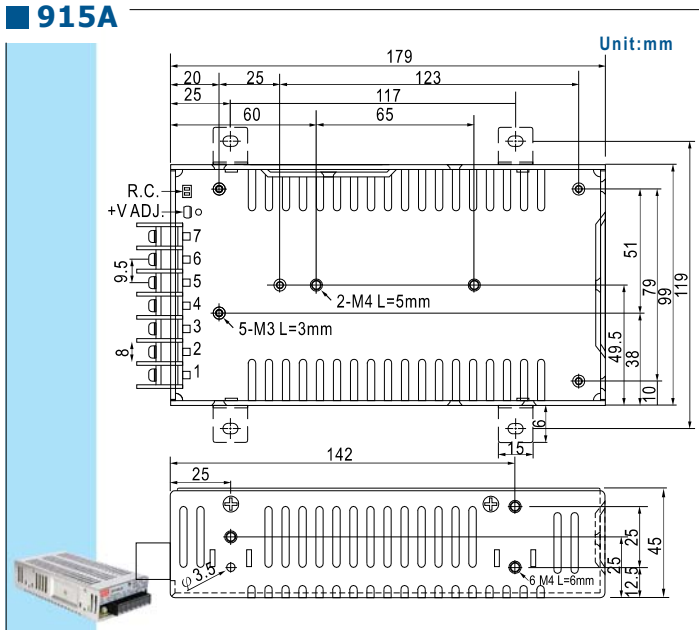
912 912B



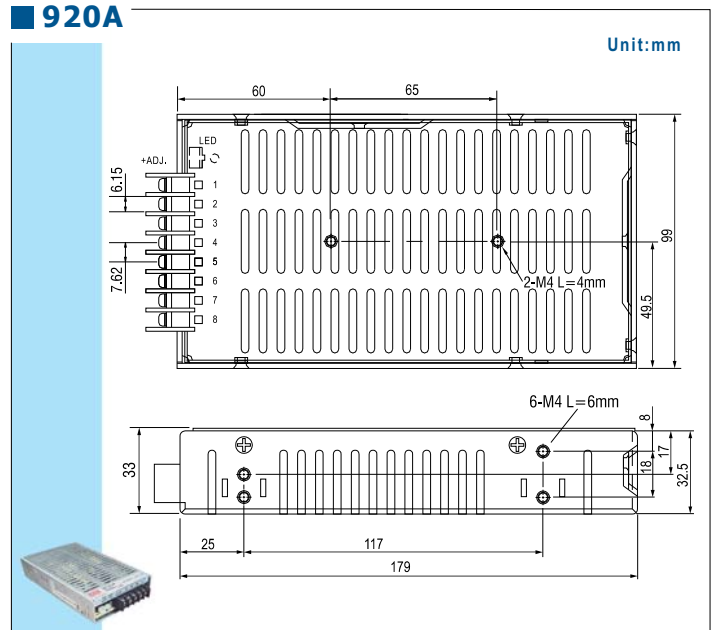
919



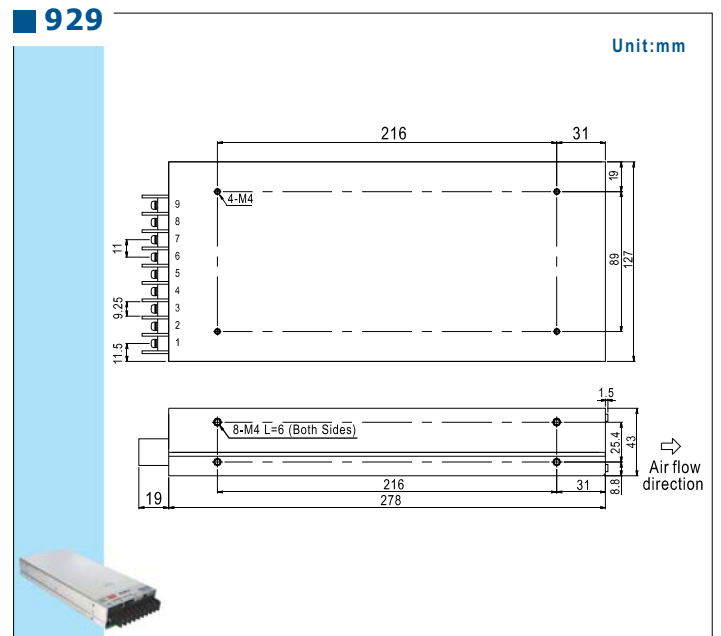
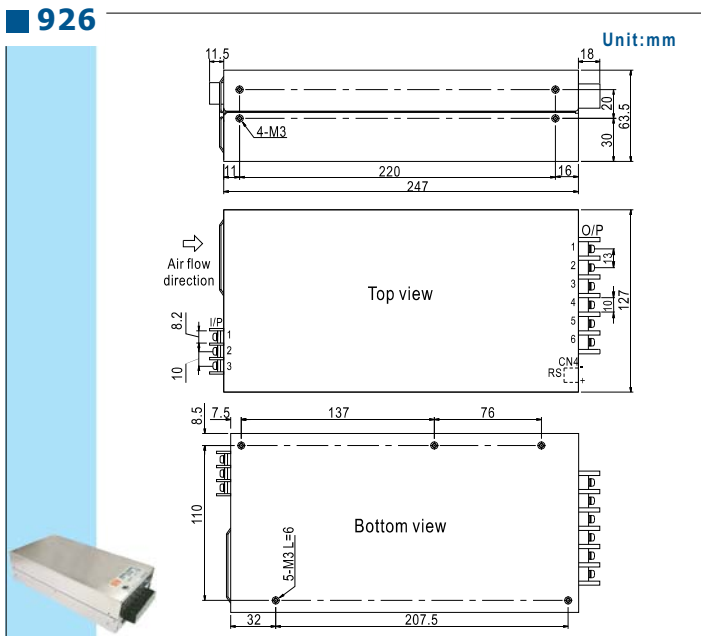
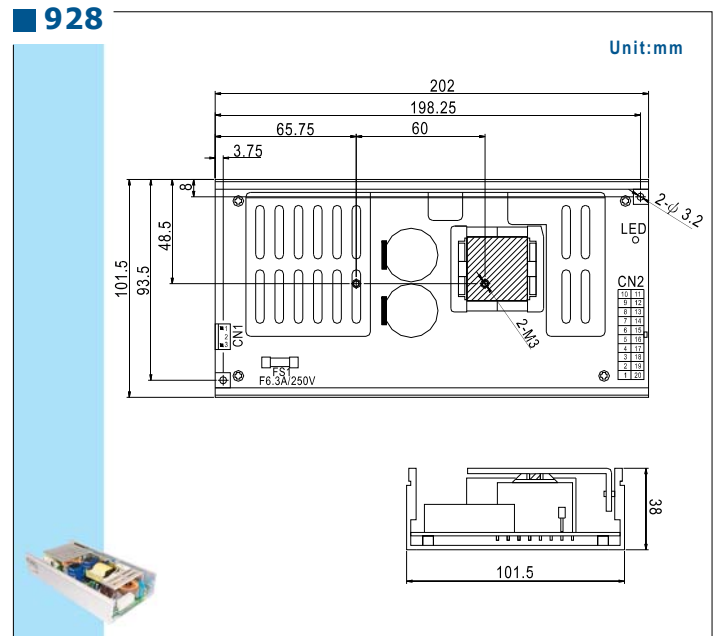
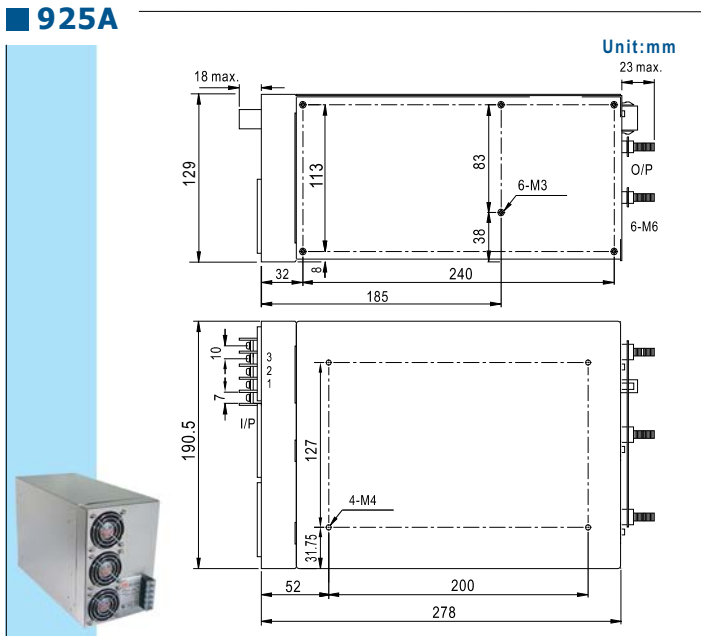
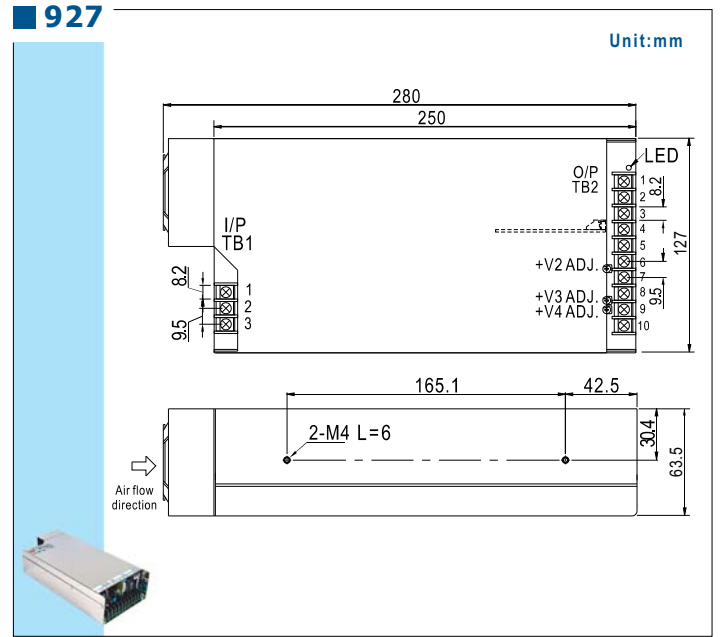
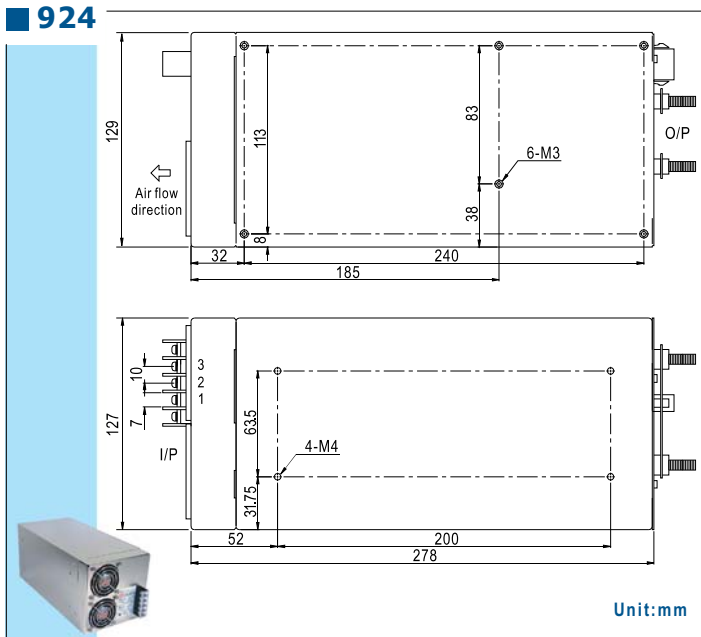
915A



920A

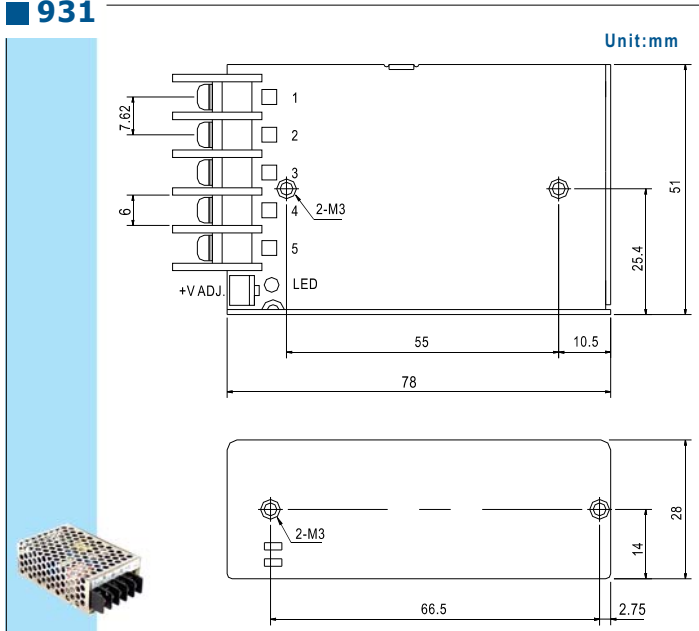


Case Drawing

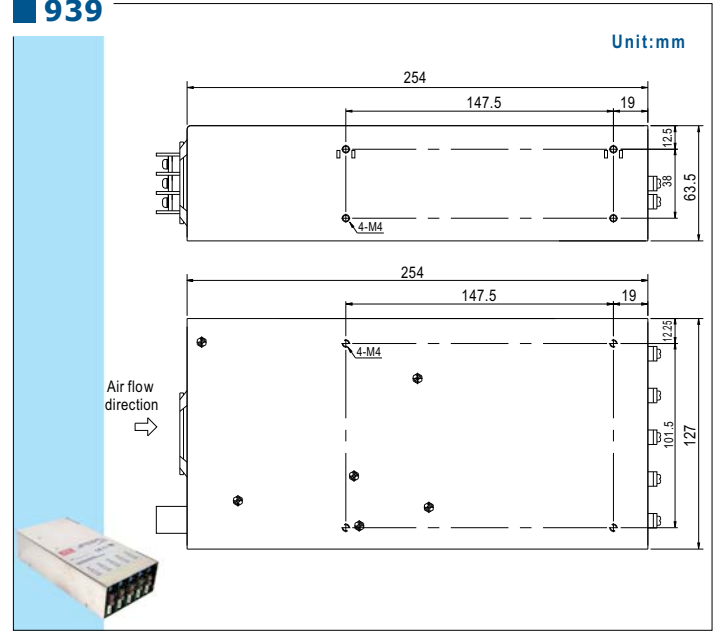


Case Drawing

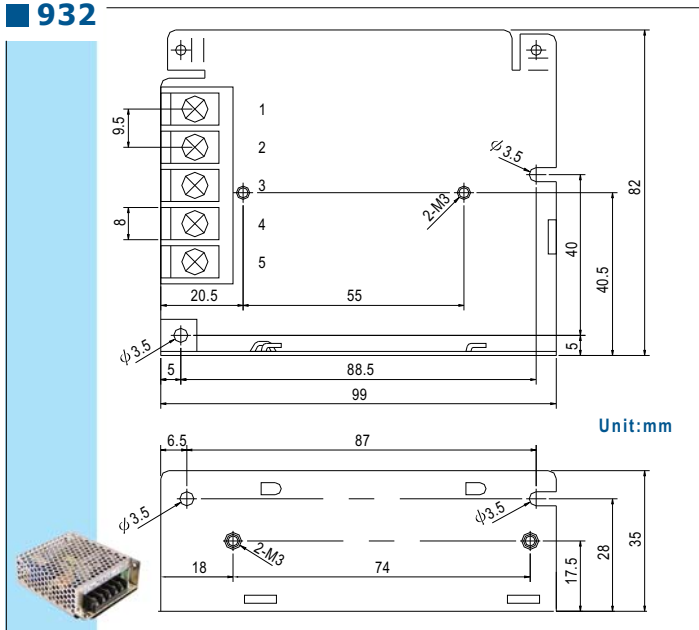
931



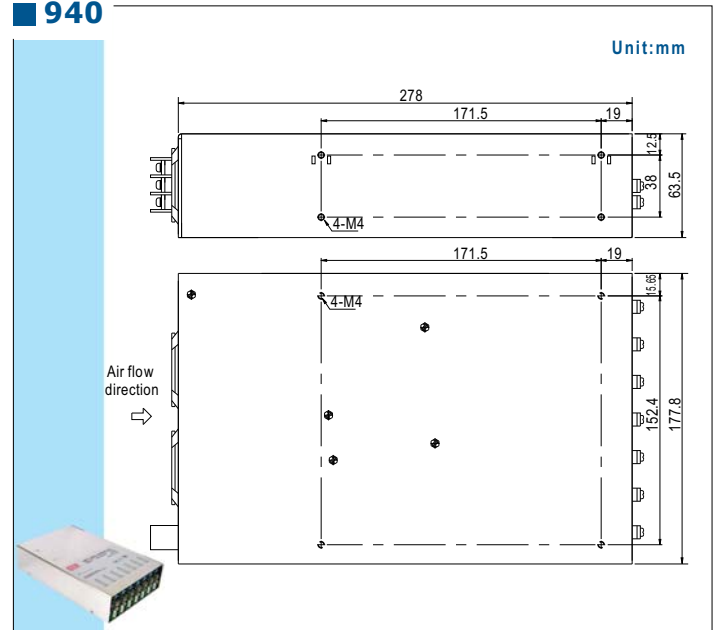
939



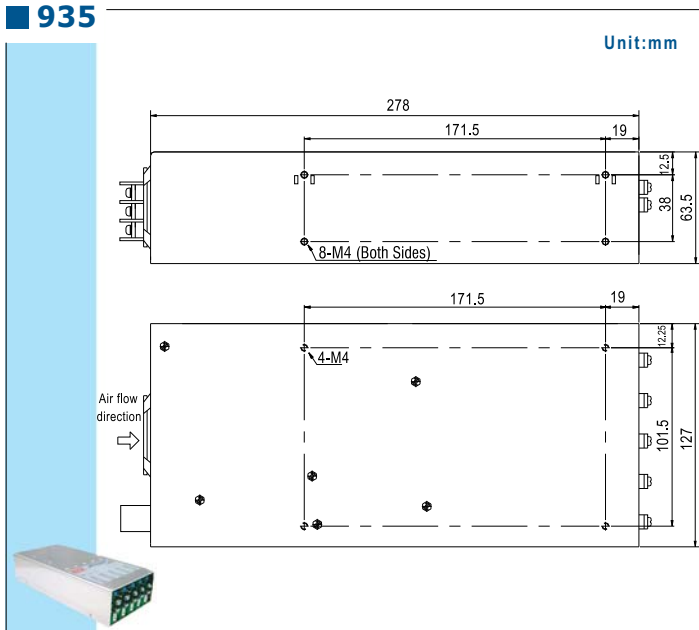
932



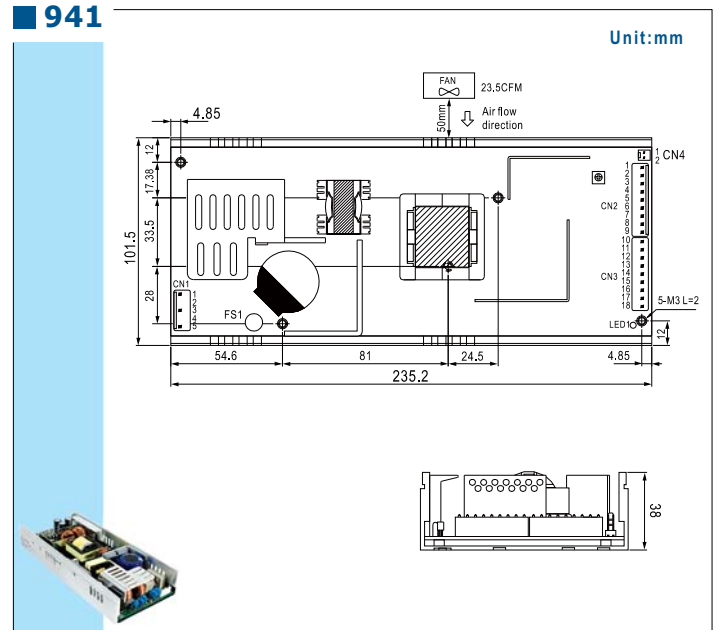
940



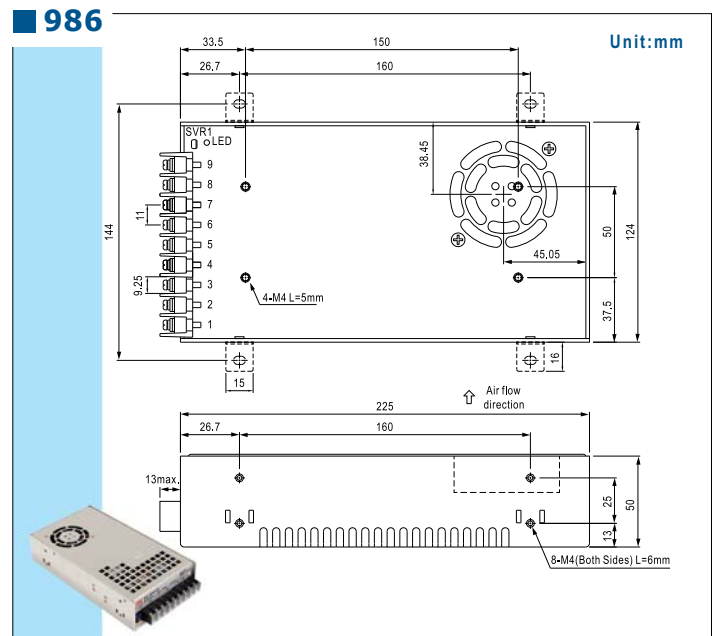
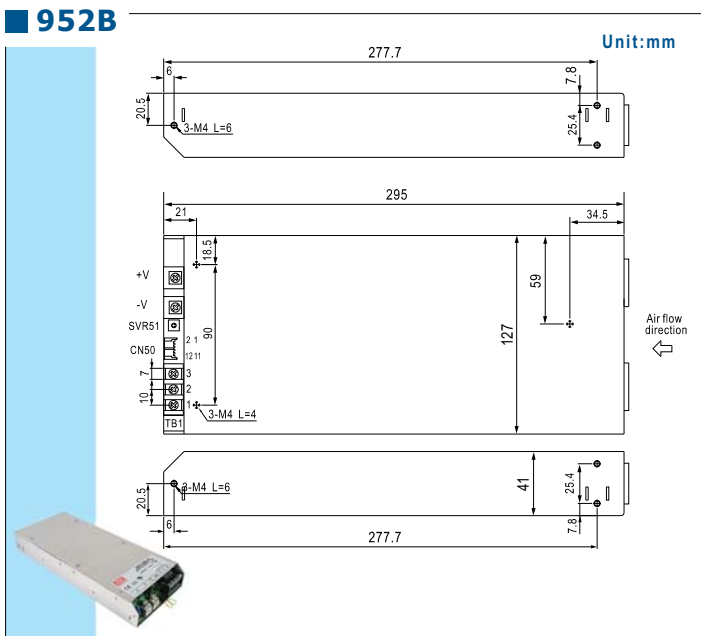
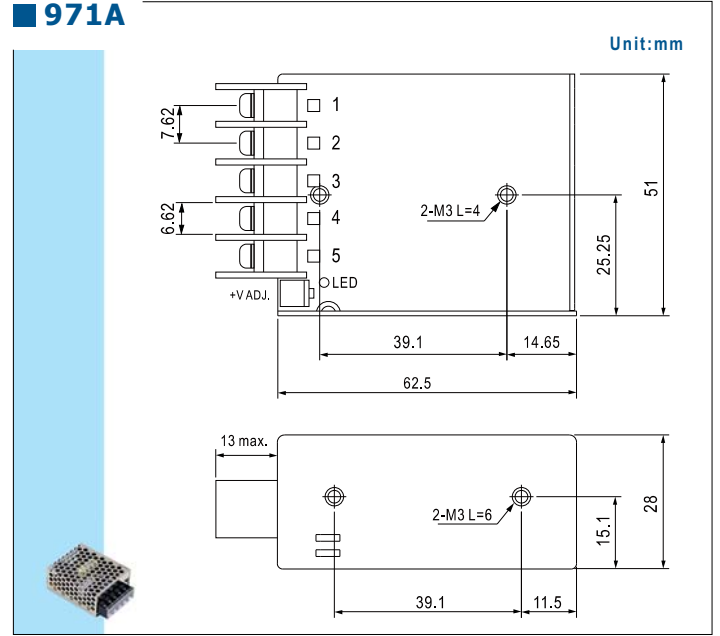
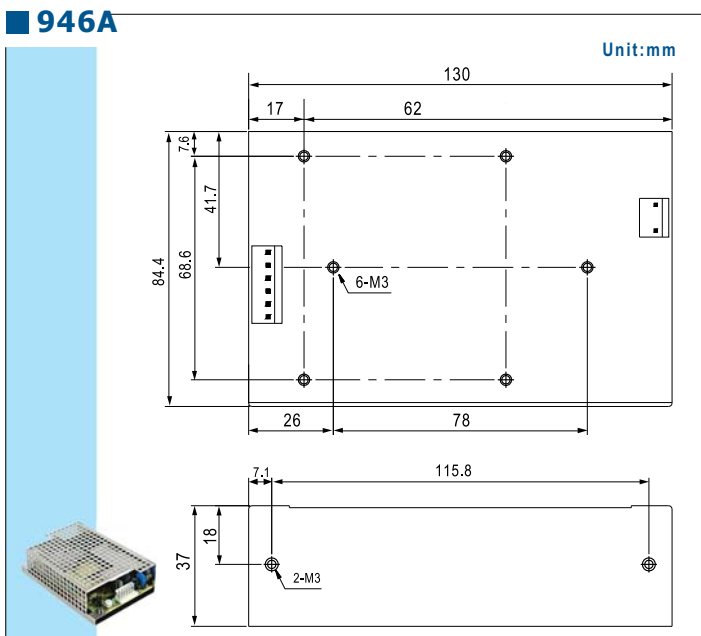
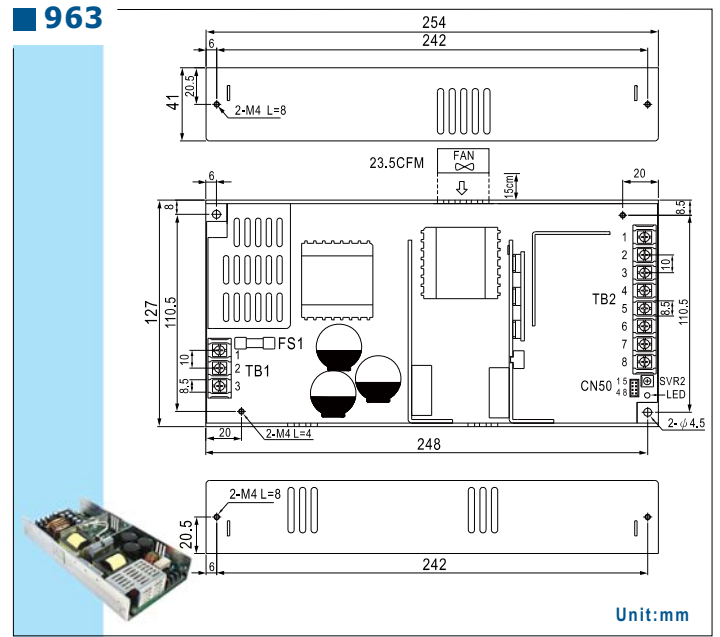
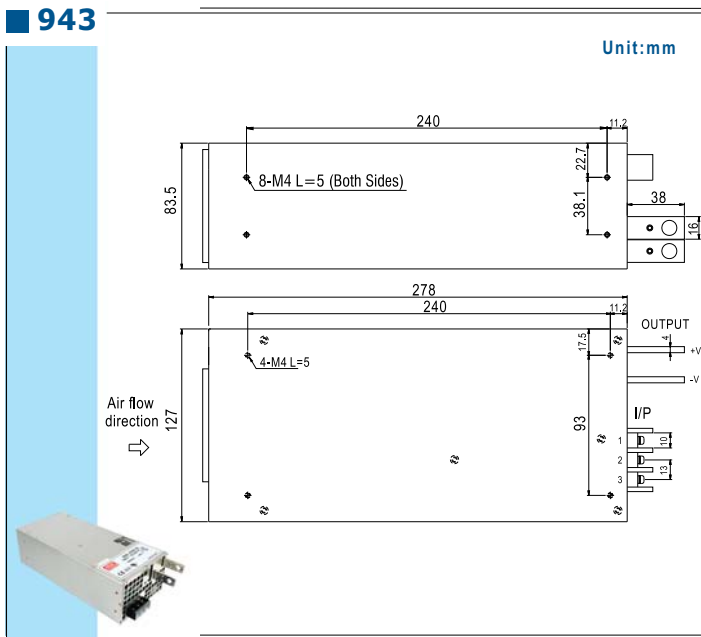
935



941



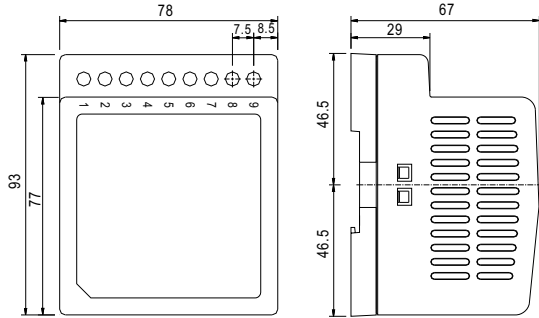
Case Drawing



Case Drawing

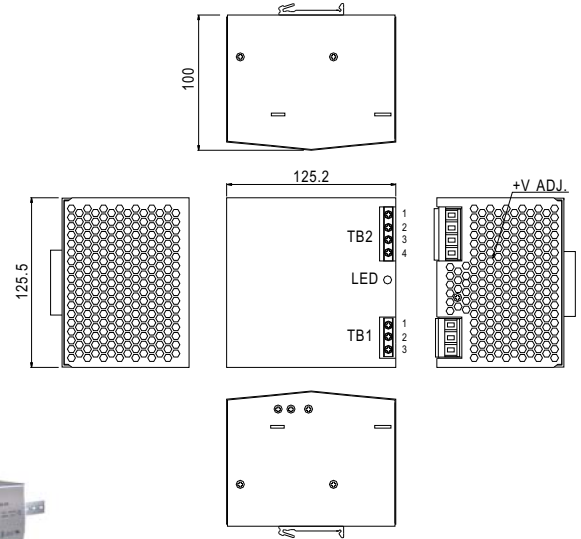
918A (DR-45)

Unit:mm



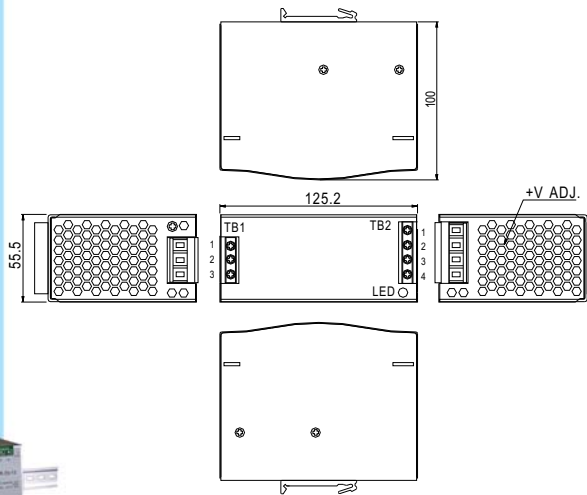
922 (DRP-240 / DRT-240)

Unit:mm



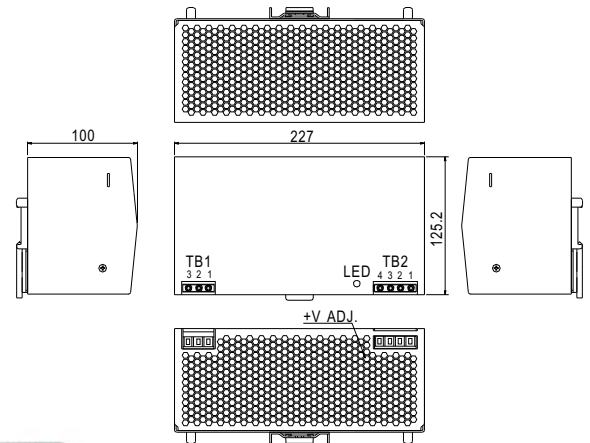
923 (DR-75)

Unit:mm



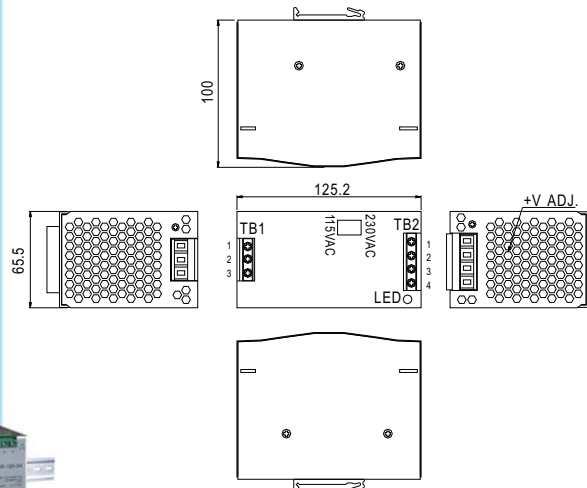
930 (DRP-480/DRT-480)

Unit:mm



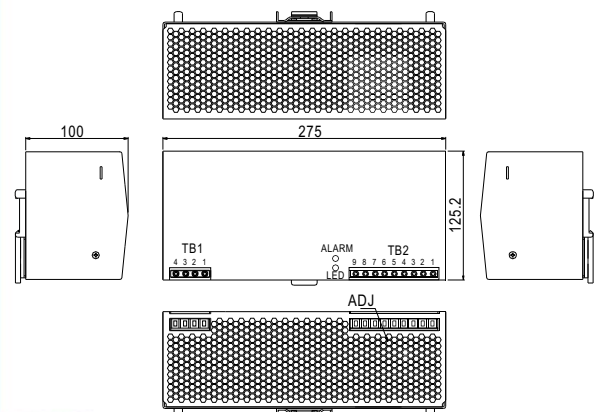
921 (DR-120)

Unit:mm

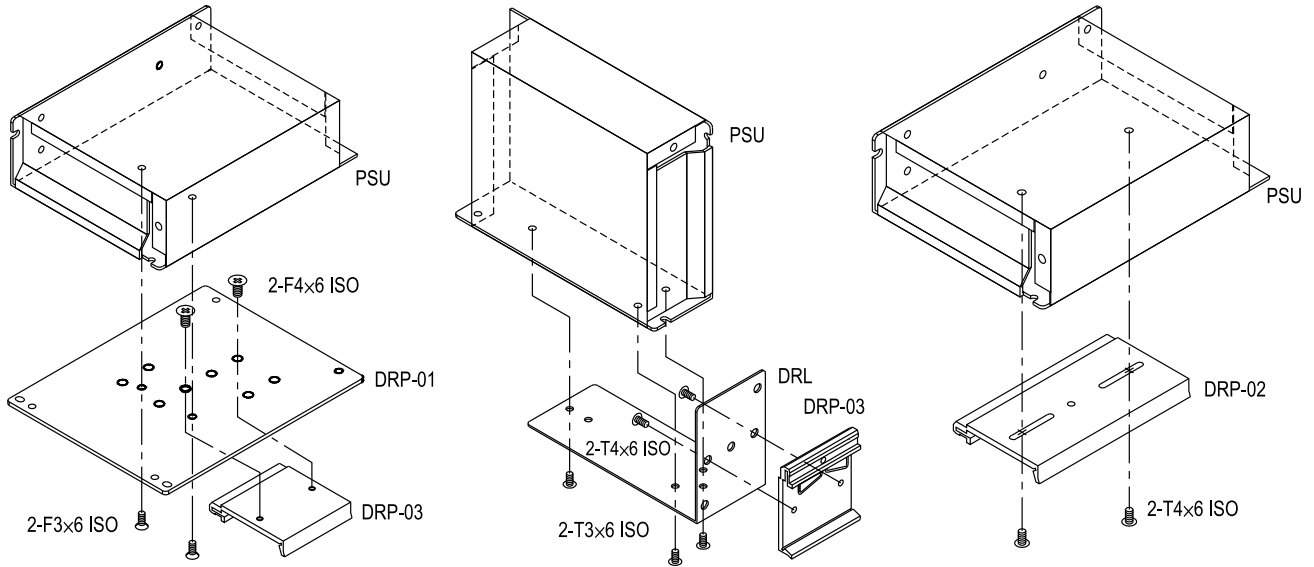


934 (DRT-960)

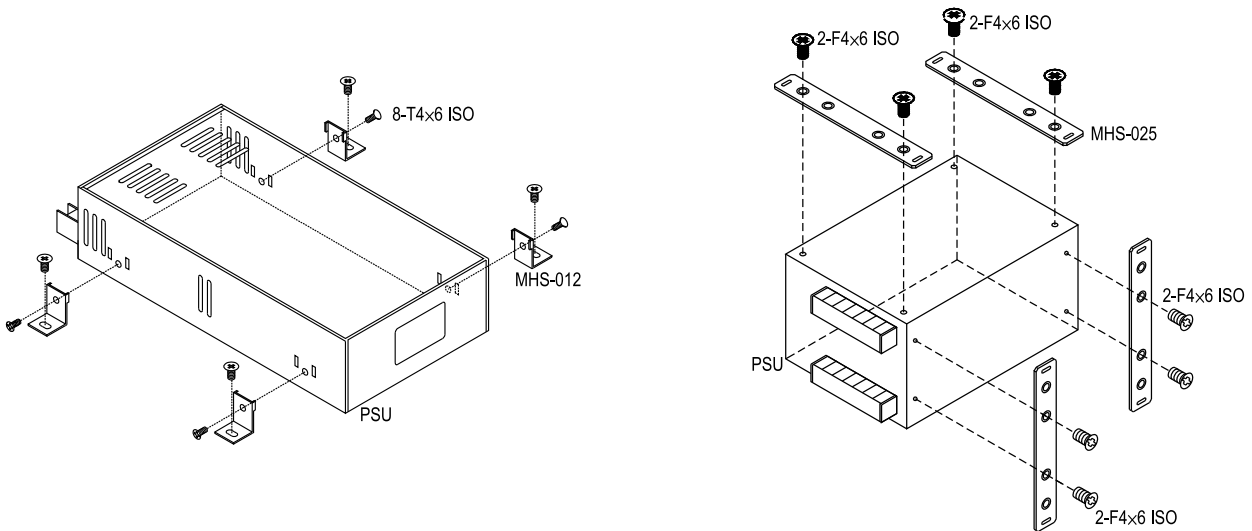
Unit:mm



DIN Rail Accessories



Mounting Accessories



ITEM	Order No.	Case	Model
	DRL-01	903 905 931 932	S-40, D-30, T-30, S-15, S-25, RS-25, NES-15 RS-35, NES-25
	DRL-02	901 902 906 915 916 920	S-50, S-60, D-60, S-100, S-100F, SD-100, S-150, SD-150, D-120, SP-100, SP-150, SP-200, SP-75,
	DRL-03	911 912	S-240, S-320, SP-320,
	DRP-01	901 902 903 906 911 912 931 932	All models

ITEM	Order No.	Case	Model
	DRP-02	905 / 915 916 / 920 928	S-15, S-25, ... / SP-100, ... SP-150, SP-200, ... / SP-75, ... USP-225,
	DRP-03	DRP-01 DRL-01~03	All models
	MHS012	912, 915 916, 935 939, 940	S-201, S-320, S-350, SP-100, SP-150, SP-200, SP-320, SE-1000, MP450/650/1000
	MHS013	919 926	PSP-500, SP-750, SE-600
	MHS014	952	RSP-1000, SD-1000
	MHS025	910	SP-500, PSP-600.....
	MHS026	943	RSP-1500

Quotation

- Most of our standard products are available and in stock through our global authorized distributors. Please contact your local distributor for prompt service. Please let us know if you are unable to find Mean Well's distributor information in your local area.
- Written quotations are valid for 60 days from the date quoted unless otherwise specified. Customers are responsible for all banking related charges outside of Taiwan.

Order

- Orders must be placed to Mean Well by mail, e-mail, or fax. Please do not place your order by phone. For international business, Mean Well will provide order confirmations with scheduled delivery dates. If you fail to receive an order confirmation within 2 working days, please reconfirm your order.
- Minimum order amounts per shipment are determined by our local distributor's stock capability. Please contact our sales representative for details.
- We encourage customers to place long-term orders. However, order cancellations or reschedules must be made 45 days prior to the scheduled shipping date.

Delivery

- For our standard products, Mean Well usually keeps around 2-8 weeks safety stock (based on the past 3 months sales record) for prompt delivery of small / medium quantity orders. For large quantity or new product orders, 3-5 weeks lead-time is needed.

Return

- All returned goods must have a RMA (return material authorization) number marked on each carton. Contact Mean Well for a RMA number. All goods must be shipped as "freight prepaid" unless confirmed by our sales representatives.

Warranty

- Products found to be defective within 30 days from the date of receipt can be returned for credit or exchange. After the initial 30 days, Mean Well will repair the goods according to our warranty period. Contact Mean Well for further information on credit or a RMA number. Goods should be shipped as "freight prepaid" to Mean Well and Mean Well will repair and return the defective units (freight prepaid) within 7 working days. If the warranty period has expired, a repair charge (20% of original purchase price or min. USD 5.00/pc) will be charged.
- If customers do the repair by themselves, Mean Well can provide reasonable quantity of free components for repair purpose.

Attention

- We make every effort to ensure the accuracy of information in the catalog. If there is any discrepancy between the data presented in our catalog and the SPEC, the SPEC sheets should take precedence (please refer to www.meanwell.com for the latest SPEC information). We cannot take any responsibility of any consequence arising due to error or change in specification. We suggest customers conduct a sample test for evaluation and approval before placing a formal order.
- For continuing product improvement, Mean Well reserves the right to revise any information in this catalog without further notification.

The EMC directive applies to component power supplies

- Mean Well ensures that all of the power supplies with CE declaration are designed to meet EMC directives and are verified by an independent certified lab agent with a test report prepared. However, there are 2 categories for power supplies: One is a stand-alone power supply, such as laboratory power supplies which can be tested under EMC individually. The other category is a component power supply such as an enclosed power supply and open PCB power supply. These power supplies are considered a component which will be installed into a final equipment. Since EMC performance is affected by the final installation of a product, Mean Well cannot guarantee that the final equipment will meet EMC directives. Final product manufacturers must re-confirm that their product meets EMC directives.

RoHS Announcement

- To minimize the environmental impact and take more responsibility to the earth we live, MEAN WELL applies manufacturing that complies with Directive 2002/95/EC of the European Parliament - RoHS (Restriction of Hazardous Substances) since Sep. 2005. Please refer to the declaration on our web site and compliance product list in page 5 for more detail information.